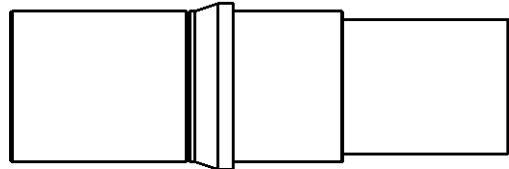
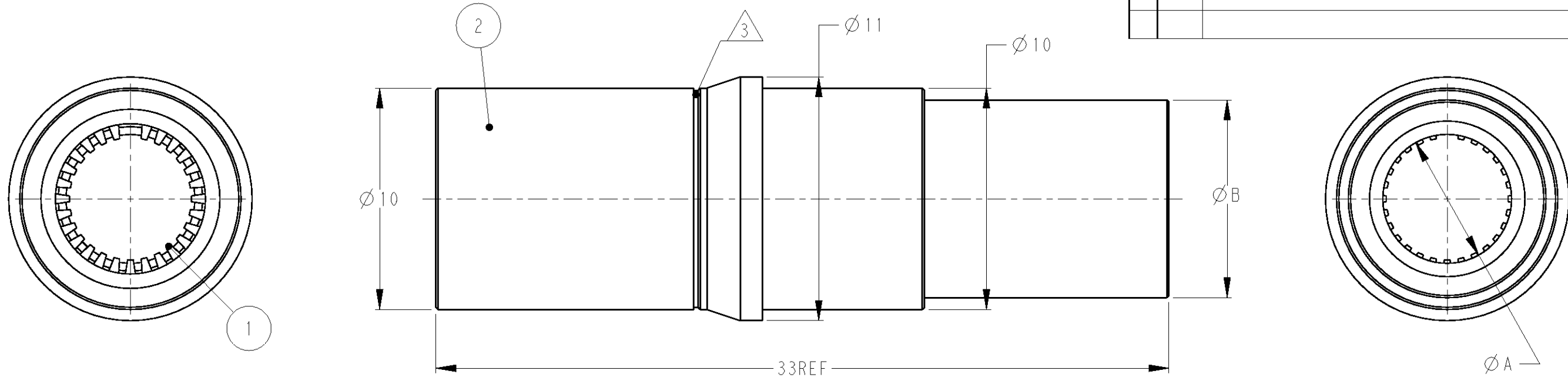


THIS DRAWING IS UNPUBLISHED. RELEASED FOR PUBLICATION 20

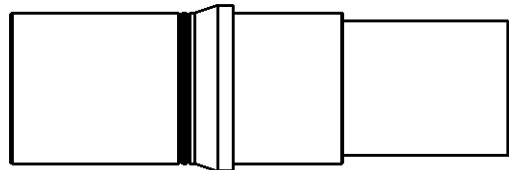
© COPYRIGHT 20 BY TYCO ELECTRONICS CORPORATION. ALL RIGHTS RESERVED.

LOC	DIST	P	LTR	REVISIONS 変更	DESCRIPTION	DATE	DWN	APVD
J	-		A	RELEASED		31JUL2010	M.M	N.Y
			B	REVISED		31AUG2010	M.M	N.Y

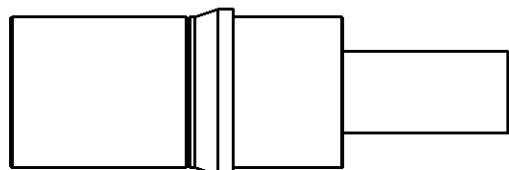
AS SHOWN : 1871132-1



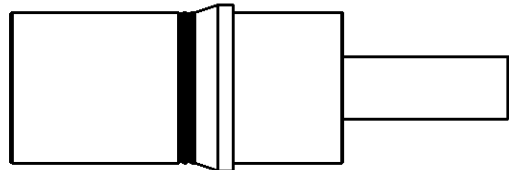
SCALE 2:1
1871132-1



1871132-2



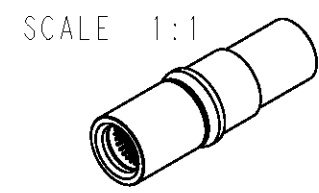
1871132-3



1871132-4

- ①. MATERIAL :
BODY CONTACT : COPPER
CROWN CONTACT : COPPER ALLOY
- ②. FINISH :
BODY CONTACT :
SILVER PLATED ALL OVER 2.54μmMIN
AFTER NICKEL PLATED ALL OVER 1.3μmMIN
CROWN CONTACT :
GOLD PLATED ON CONTACT AREA 0.76μmMIN
AFTER NICKEL PLATED ALL OVER 1.3μmMIN
- ③. ID MARK FOR WIRE SIZE.
- 4 .APPLICATED CRIMP HAND TOOL
1871132-1 : 59975-1 (SET NO 6)
1871132-2 : 59975-1 (SET NO 6)
1871132-3 : 409777-1 (SET NO 5.5)
1871132-4 : 409777-1 (SET NO 5.5)

WIRE RANGE(mm2) (AWG # REF)	ID MARK	B	A	1871132-4	1871132-3	1871132-2	1871132-1	DESCRIPTION	ITEM
1.0~2.6 (AWG #16-14)	2 LINE	4.1	2.3	1				SOCKET CONTACT #14	②
2.7~6.6 (AWG #12-10)	1 LINE	5.4	3.4		1			SOCKET CONTACT #10	②
6.7~10.5 (AWG #8)	2 LINE	8.9	4.5			1		SOCKET CONTACT # 8	②
10.6~16.7 (AWG #6)	1 LINE	8.9	5.8				1	SOCKET CONTACT # 6	②
				1	1	1	1	CROWN CONTACT	①



SCALE 1:1

THIS DRAWING IS A CONTROLLED DOCUMENT FOR TYCO ELECTRONICS CORPORATION. IT IS SUBJECT TO CHANGE AND THE CONTROLLING ENGINEERING ORGANIZATION SHOULD BE CONTACTED FOR THE LATEST REVISION.

DWN M. MAEBASHI 31JUL2010	Tyco Electronics Corporation Kawasaki, Japan			
CHK N. YAMASAKI 31JUL2010				
APVD N. YAMASAKI 31JUL2010				
NAME 名称 DYNAMIC D7000 SERIES SOCKET CONTACT ASSY				
PRODUCT SPEC 製品規格 108-78470	SIZE A3	CAGE CODE 00779	DRAWING NO 番号 C=1871132	RESTRICTED TO -
APPLICATION SPEC 取付適用規格 114-5452	CUSTOMER DRAWING			SCALE 尺度 5:1
WEIGHT -	SHEET 1 OF 1			REV B