

4

3

2

1

THIS DRAWING IS UNPUBLISHED.

RELEASED FOR PUBLICATION

20

© COPYRIGHT 20

BY TE

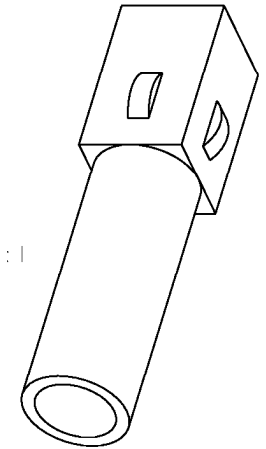
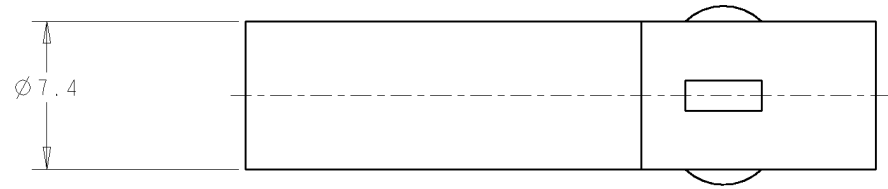
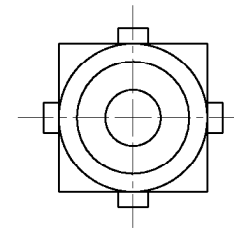
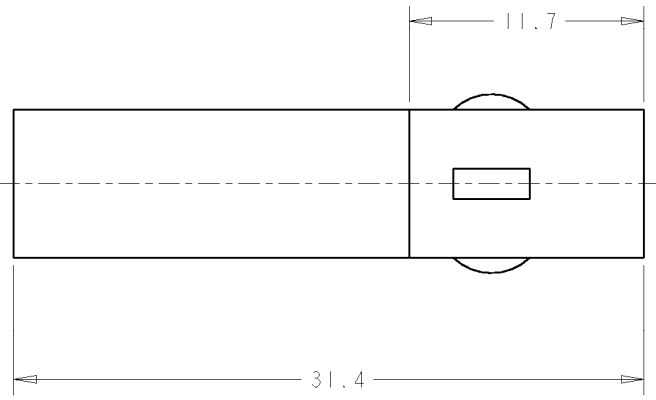
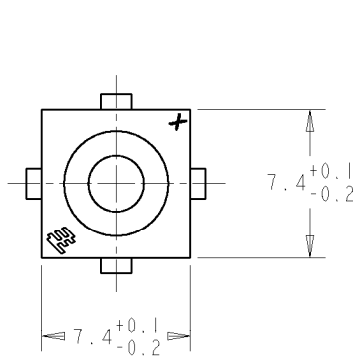
ALL RIGHTS RESERVED.

LOC
AL

DIST
2

REVISIONS

P	LTR	DESCRIPTION	DATE	DWN	APVD
A		RELEASED	24JUL2008	J. S.	L. B.
A1		ECR-13-003053	27FEB2013	MGT	R.P
A2		REVISED PER ECR-17-014951	13OCT2017	BDA	KR



1863011-1	A	PA 6 UL94 V2	NATURAL
PN	REV	MATERIAL	COLOUR

THIS DRAWING IS A CONTROLLED DOCUMENT FOR TE IT IS SUBJECT TO CHANGE AND THE CONTROLLING ENGINEERING ORGANIZATION SHOULD BE CONTACTED FOR THE LATEST REVISION.		DWN J. Salo 24JUL2008
DIMENSIONS: mm		CHK L. Lazaro 24JUL2008
TOLERANCES UNLESS OTHERWISE SPECIFIED:		APVD L. Rattilo 24JUL2008
0 PLC ± 0.4		PRODUCT SPEC
1 PLC ± 0.4		-
2 PLC ± 0.4		APPLICATION SPEC
3 PLC ± 0.4		-
4 PLC ±		WEIGHT
ANGLES ± - ± 1.5°		-
MATERIAL SEE TABLE	FINISH -	CUSTOMER DRAWING

NAME		SINGLE CIRCUIT UNIVERSAL MATE-N-LOK PLUG	
SIZE A3	CAGE CODE 00779C	DRAWING NO 1863011	RESTRICTED TO -
SCALE 4:1		SHEET 1	OF 1
REV A2			

⚠ MATERIAL CORRESPONDING TO THE REQUIREMENT OF IEC 60335-1 (INCL. GLOW WIRE TEST 750°C ,WITH OUT FLAME)

2 DIMENSIONS SHOWN REPRESENT PRODUCT IN DRY, AS MOLDED, CONDITION. ADDITIONAL 2% GROWTH DUE TO SUBSEQUENT MOISTURE ABSORPTION MAY OCCUR AND SHOULD BE ACCOUNTED FOR