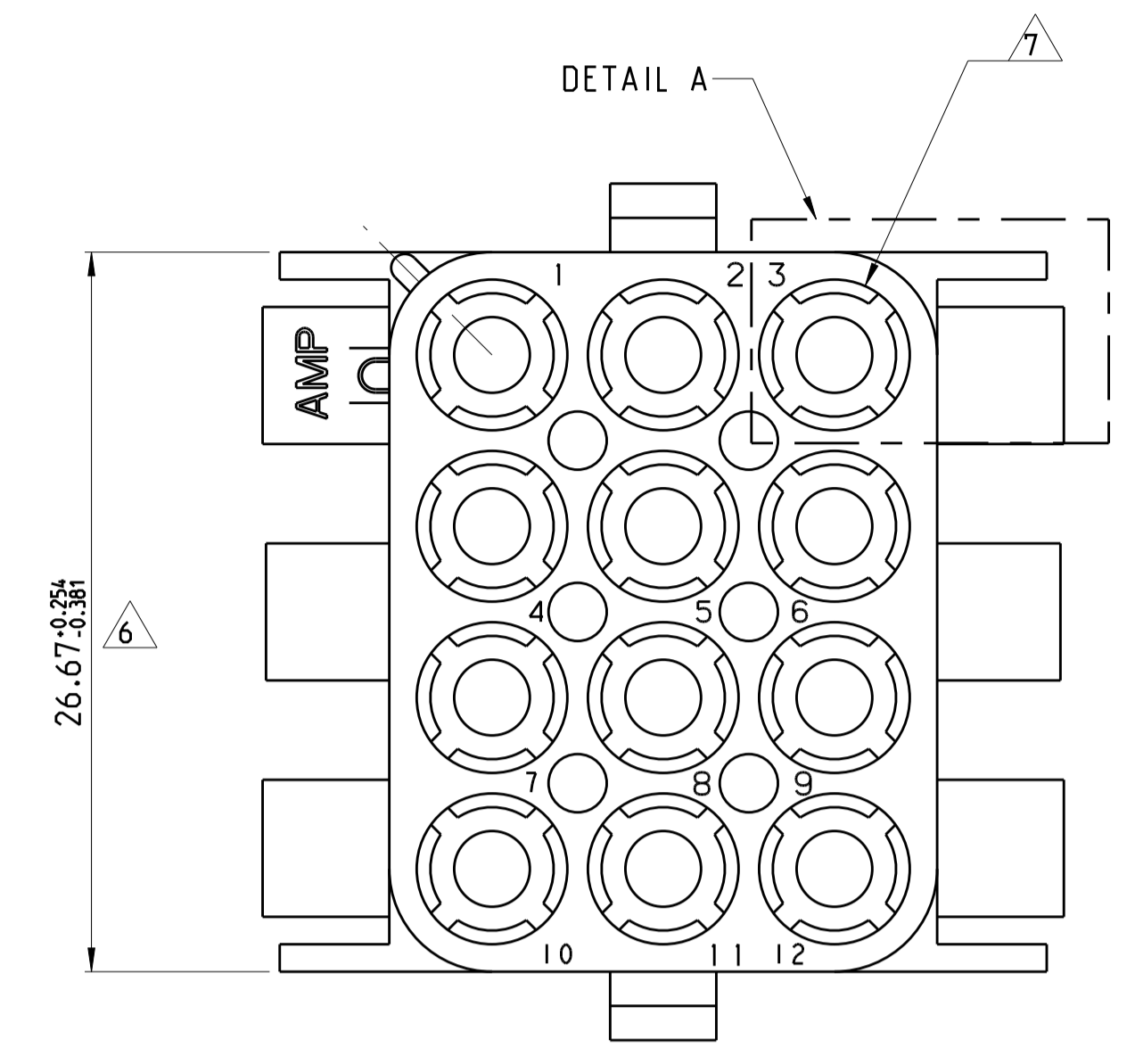
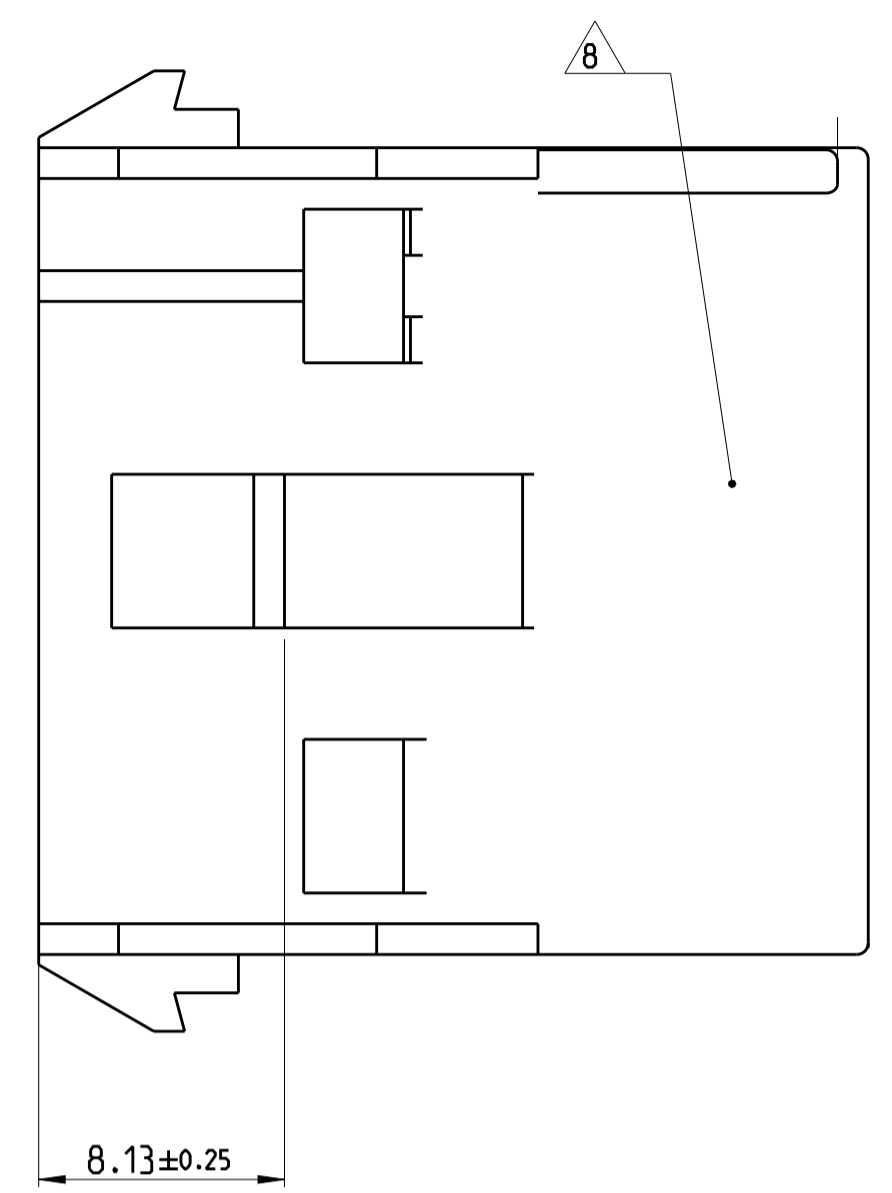
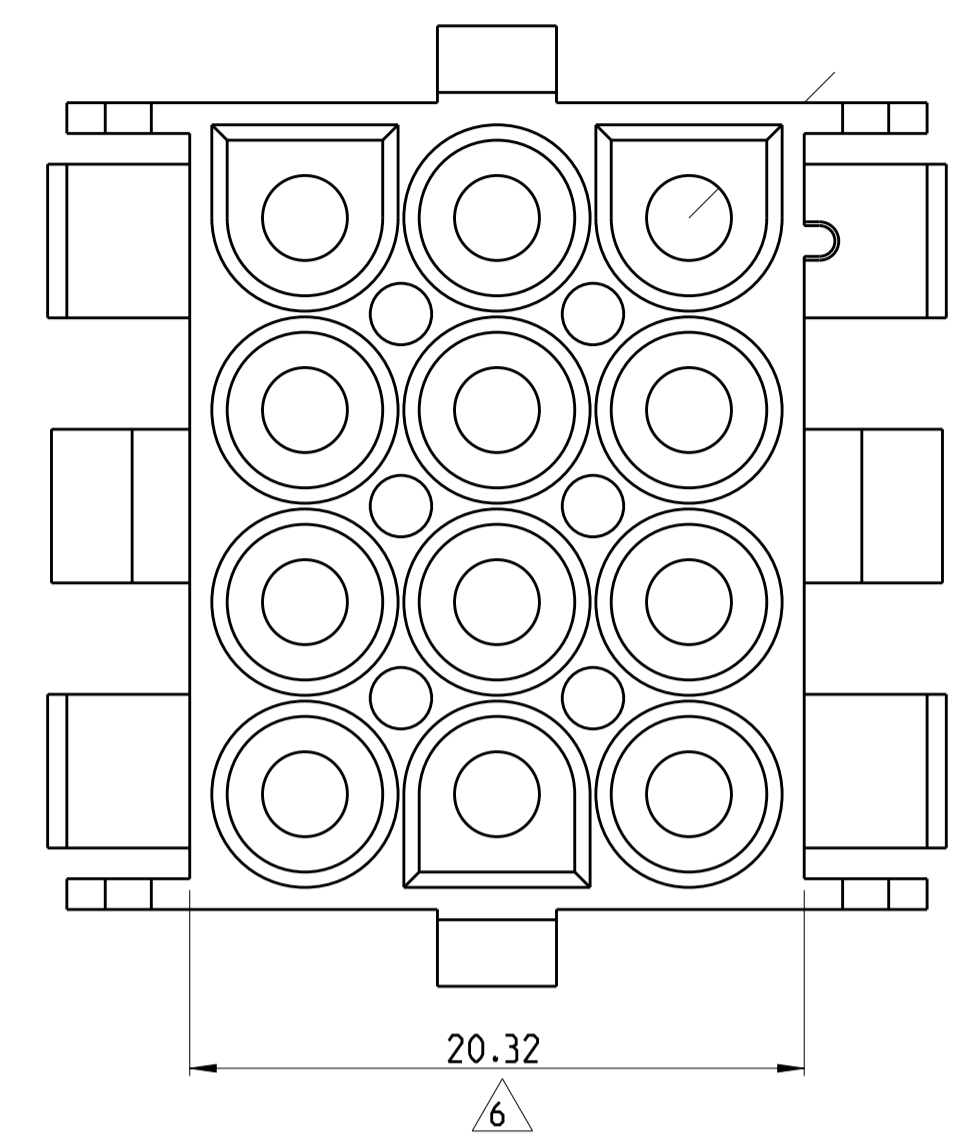
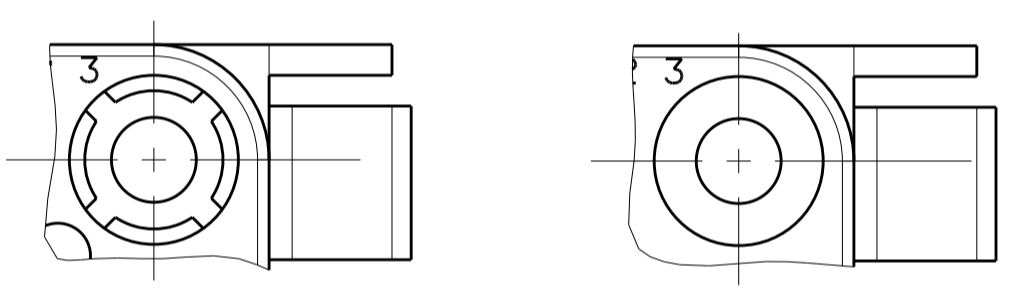


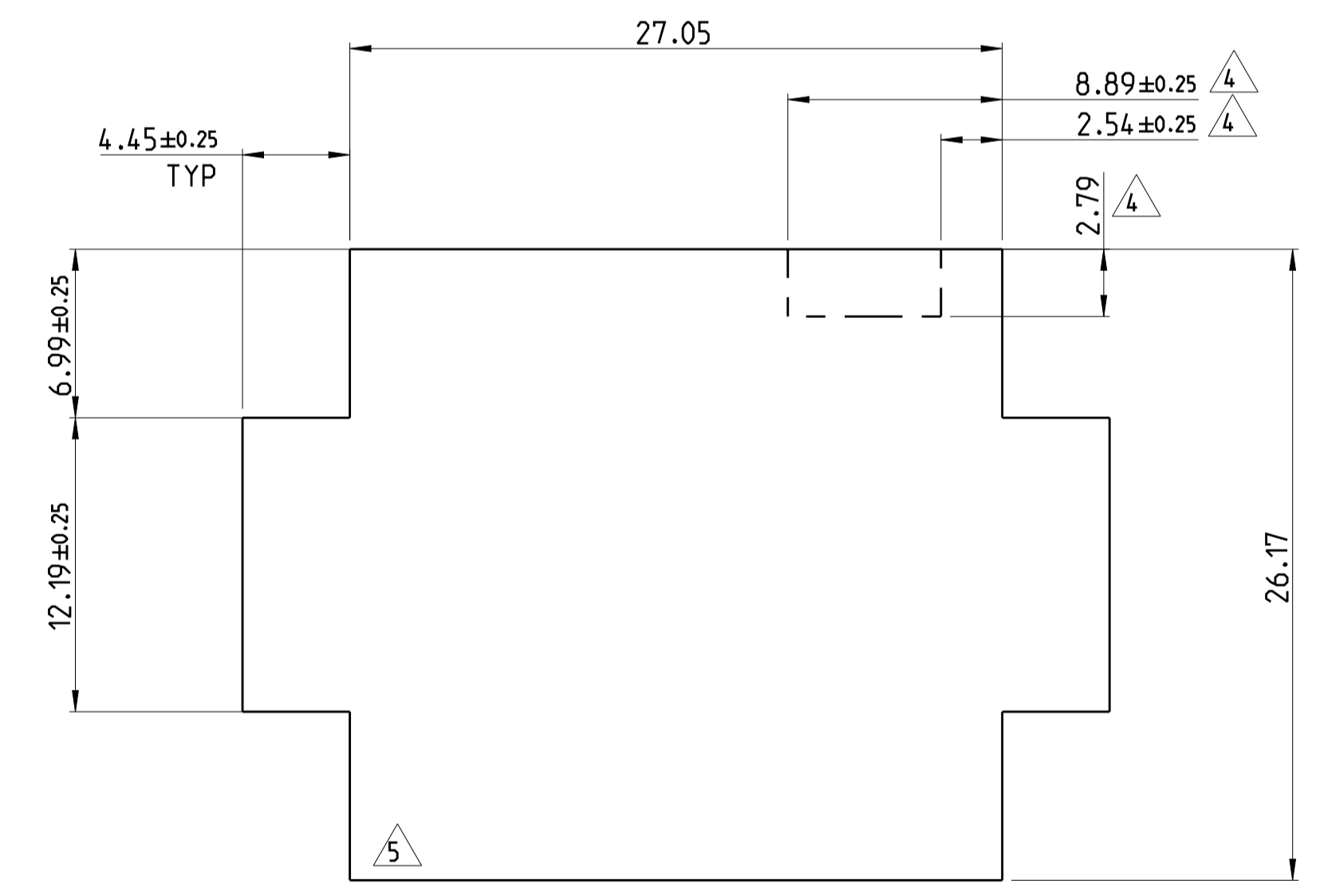
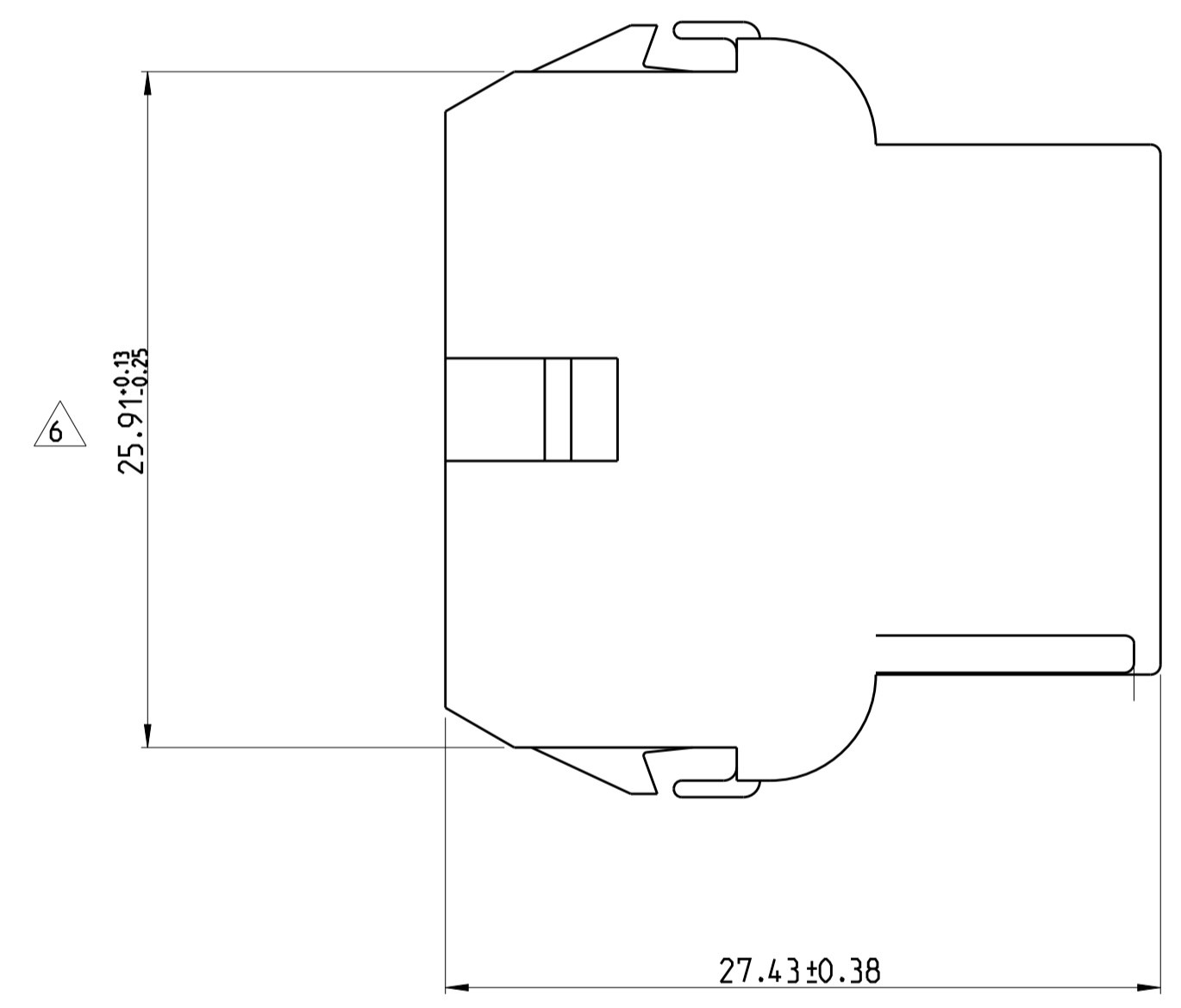
| LOC | DIST | REVISIONS | | | | | |
|-----|------|-----------|-----|---------------|-----------|-----|------|
| | | P | LTR | DESCRIPTION | DATE | DWN | APVD |
| A1 | - | | | ECR-13-010044 | 21JUN2013 | MGT | R.P |
| A2 | - | | | ECR-13-016227 | 12NOV2013 | KKB | R.P |
| A3 | - | | | ECR-14-002737 | 24FEB2014 | KKB | RRP |
| A4 | - | | | ECR-17-002907 | 23OCT2017 | JB | DZ |



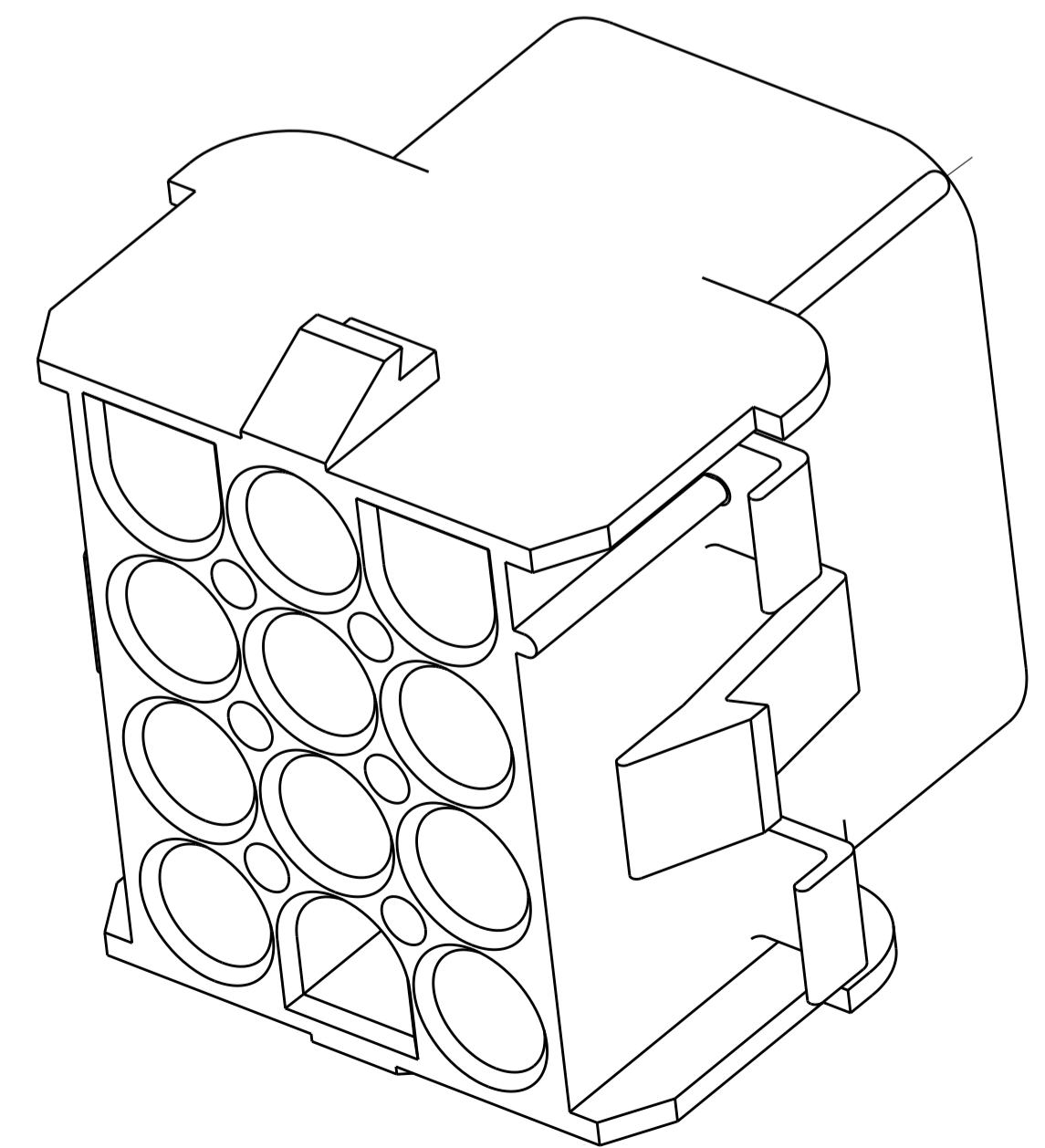
1. MATES WITH APPROPRIATE UNIVERSAL MATE -N-LOK PLUG.
2. RECOMMENDED PANEL THICKNESS 0.76 - 2.29.
3. PANEL MUST BE PUNCHED SA THAT THE HOUSING ENTERS THE PANEL IN THE SAME DIRECTIO AS THE PUNCH.
4. OPTIONAL FOR KEYING HOUSING IN PANEL.
5. CIRCUIT NUMBER 1 LOCATION.
6. DIMENSIONS INDICATED IS AS MOLDED. ADDITIONAL GROWTH DUE TO SUBSEQUENT MOISTURE ABSOPTION MAY OCCUR.
7. FOUR RIBS EQUALLY SPACED. NO SPECIFIC ORIENTATION. NO RIBS OR SIX RIBS EQUALLY SAPCED. NO SPECIFIC ORIENTATION. OPTIONAL.
8. UNDERWRITERS RECOGNIZED COMPONENT LOGO AND CSA CERTIFICATION LOGO TO BE LOCATED ONCE EACH ON SIDE OF HOUSING.
9. MATERIAL CORRESPONDING TO THE REQUIREMENTS OF IEC 60335 (INCL GLOW WIRE TEST 750°C WITHOUT FLAME)
10. PRELIMINARY PART NOT RELEASED FOR PRODUCTION.



DETAIL A
OPTIONAL CONSTRUCTION



RECOMMENDED PANEL CUT OUT



3- DIMENSIONAL MODEL
NTS

| MM | IN | MM | IN |
|------|------|-------|-------|
| 6.99 | .275 | 27.43 | 1.080 |
| 4.45 | .175 | 27.05 | 1.065 |
| 2.79 | .110 | 26.67 | 1.050 |
| 2.54 | .100 | 26.16 | 1.030 |
| 2.29 | .090 | 25.91 | 1.020 |
| 0.76 | .030 | 20.32 | .800 |
| 0.38 | .015 | 12.19 | .480 |
| 0.25 | .010 | 8.89 | .350 |
| 0.13 | .005 | 8.13 | .320 |
| MM | IN | MM | IN |

CONVERSION TABLE

| | | | |
|--------|---------|-------------------------|-------------|
| 9 | NATURAL | PA66 UL-V0 (GW T 750°C) | 1-1863006-2 |
| 10 | NATURAL | PA6 UL-V0 | 1-1863006-1 |
| 9 | NATURAL | PA6 UL-V2 | 1863006-1 |
| REMARK | COLOR | MATERIAL | PART NO |

THIS DRAWING IS A CONTROLLED DOCUMENT. DWN: KARTHIK BALAJI 21OCT2013
 CHK: KARTHIK BALAJI 21OCT2013
 APVD: RAJENDRA PAI 21OCT2013

DIMENSIONS: mm
 TOLERANCES UNLESS OTHERWISE SPECIFIED:
 0 PLC ±.13
 1 PLC ±.13
 2 PLC ±.13
 3 PLC ±.13
 4 PLC ±.13
 ANGLES ±.1°
 FINISH -

MATERIAL: PA 6

NAME: CAP. 12 CIRCUIT UNIVERSAL MATE-N-LOK
 SIZE: A1
 CAGE CODE: 00779
 DRAWING NO: C=1863006
 RESTRICTED TO: -

CUSTOMER DRAWING SCALE: 4:1 SHEET: 1 OF 1 REV: A4