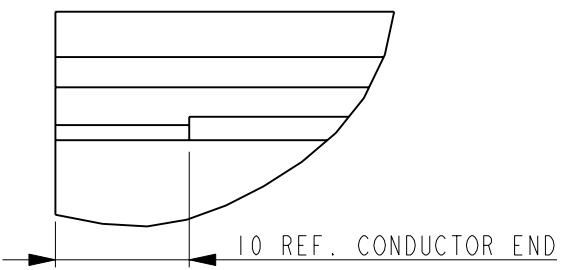


THIS DRAWING IS UNPUBLISHED. RELEASED FOR PUBLICATION
 © COPYRIGHT - BY TYCO ELECTRONICS CORPORATION. ALL RIGHTS RESERVED.

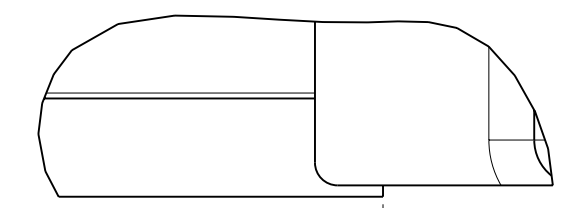
LOC		DIST		REVISIONS			
P	LTR	DESCRIPTION	DATE	DWN	APVD		
	BI	Added New TE logo in Adhesive Tape	05JAN2011	C. J	PKS		

PARTNUMBER: 1857561-1 AS SHOWN

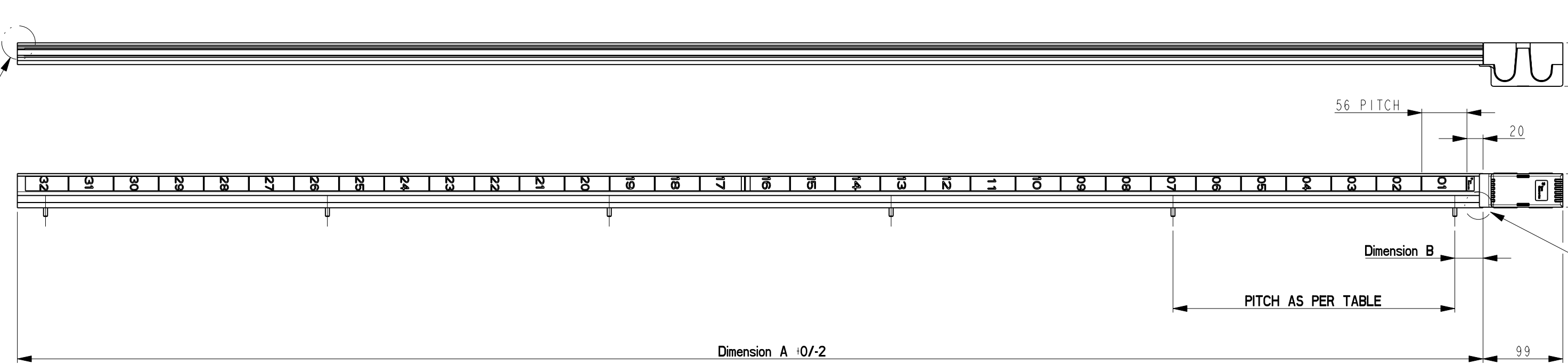


DETAIL B
SCALE 2:1

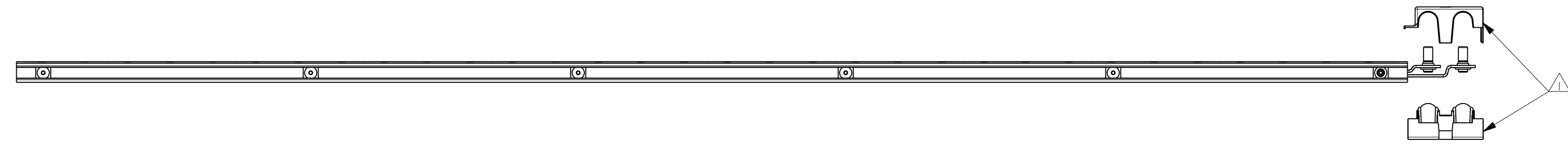
SEE DETAIL B



DATUM LINE - END OF EXTRUSION
DETAIL A
SCALE 2:1



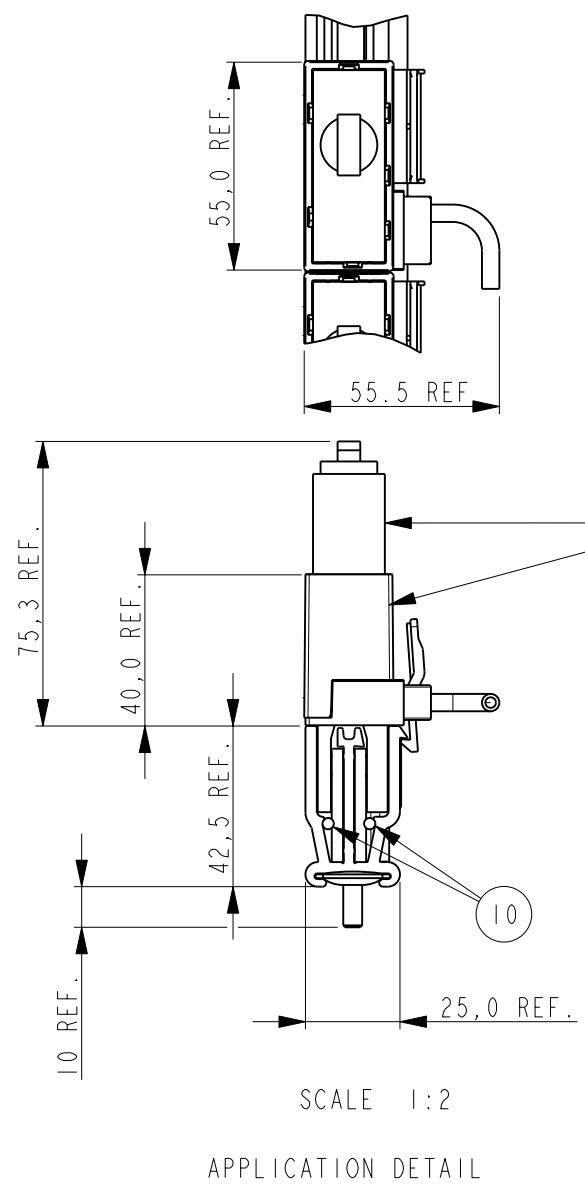
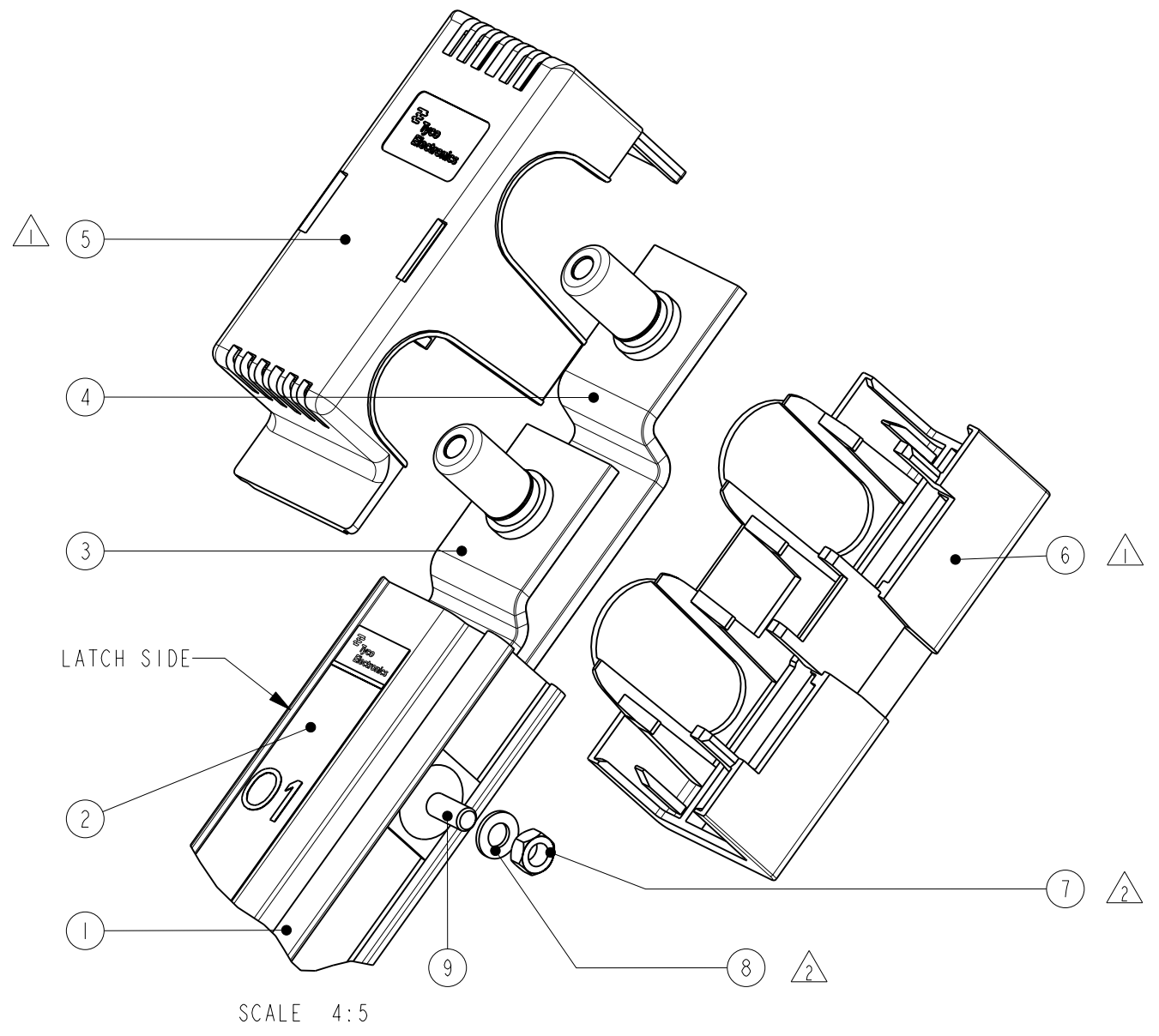
SEE DETAIL A



NOTES:

- △ BASE AND TOP COVERS (ITEM 5 AND 6) SUPPLIED UNASSEMBLED.
- △ NUTS (ITEM 7) AND WASHERS (ITEM 8) SUPPLIED BAGGED IN STATED QUANTITY.
- 3 MATERIAL OF POWERPINS ON EXTRUSION: COPPER ALLOY. FINISH SILVER OVER NICKEL.

PARTNUMBER	EFFECTIVE LENGTH (mm)	Dimension A	Dimension B	PITCH	QTY
1857561-1	1800	1820	35	350	6
1857561-5	500	520	35	225	3
1857561-7	1000	1020	30	320	4
1857561-9	1500	1520	40	360	5
1-1857561-1	2000	2020	35	325	7
1-1857561-3	2250	2270	40	365	7
1-1857561-5	780	800	47	304.8	2
1-1857561-7	1680	1700	47	304.8	6



8340-F SERIES BREAKER, 1857141-1 CONNECTOR AND 1820539-1 LEAD ARE DRAWN FOR REFERENCE ONLY. THESE PARTS ARE NOT INCLUDED IN ASSEMBLY 1857561-1.

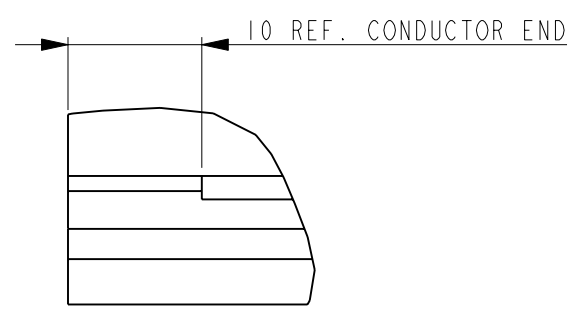
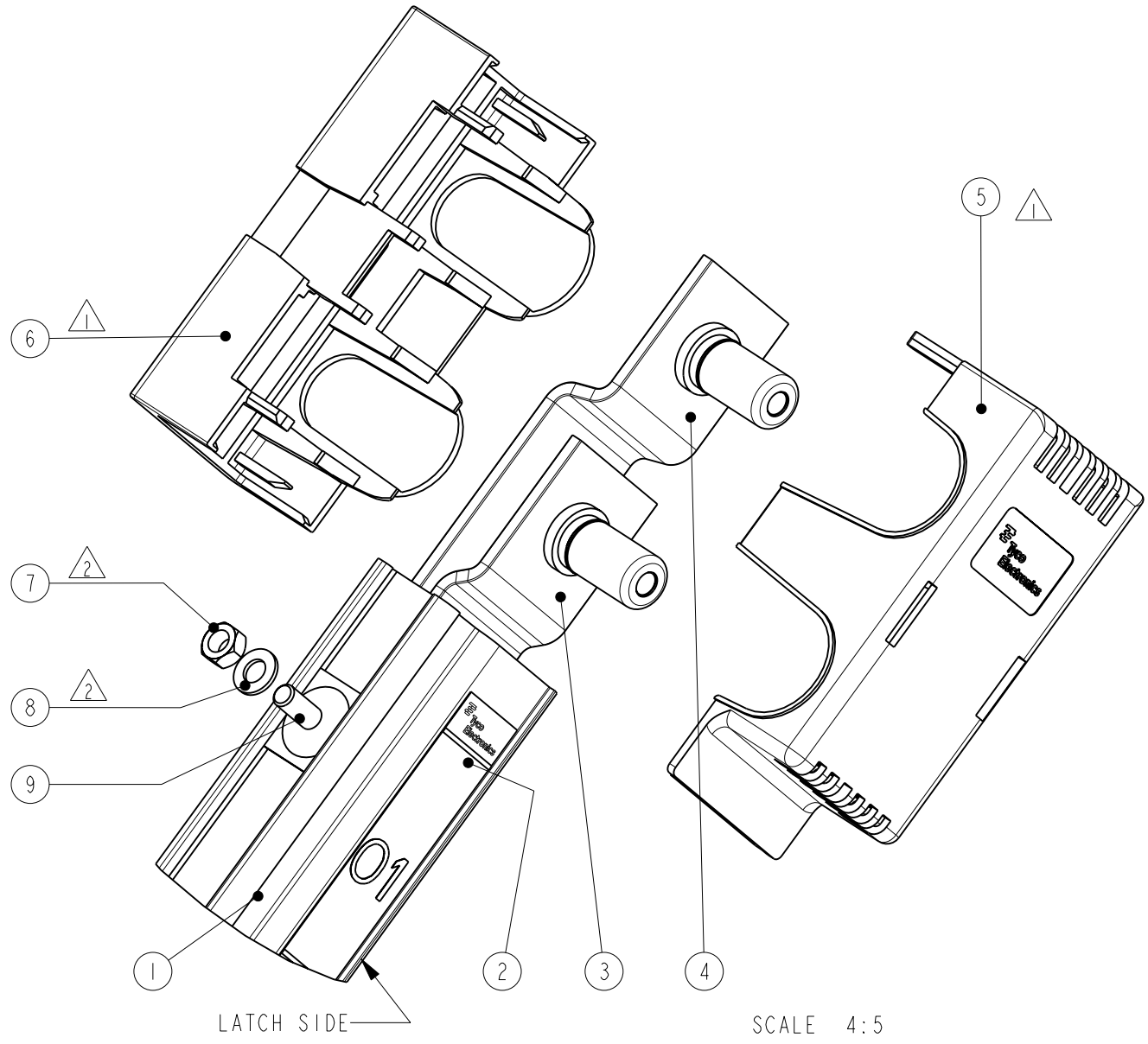
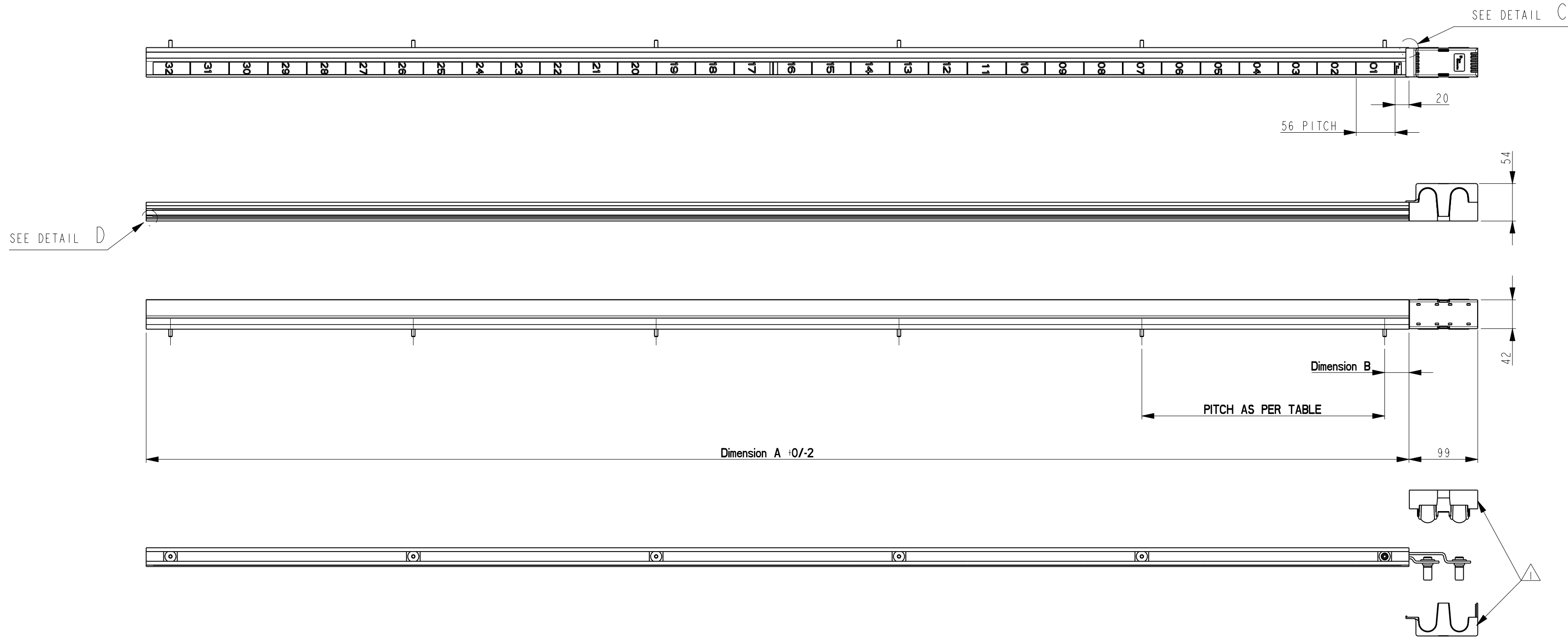
ITEM NO.	DESCRIPTION	MATERIAL	FINISH/COLOR
10	ELASTOMERIC CORD (2x)	ELASTOMER	WHITE
9	SLIDE-BOLT M5	STAINLESS STEEL	
8	WASHER M5	STAINLESS STEEL	
7	NUT M5	STAINLESS STEEL	
6	BASE-COVER	PBT 20%GF	BLACK
5	TOP-COVER	PBT 20% GF	BLACK
4	CONDUCTOR LONG	COPPER ALLOY	NICKEL PLATED
3	CONDUCTOR SHORT	COPPER ALLOY	NICKEL PLATED
2	SELF ADHESIVE TAPE	TAPE	TRANSPARENT/BLACK LETTERS
1	EXTRUSION	THERMOPLASTIC UL94V-0	WHITE

THIS DRAWING IS A CONTROLLED DOCUMENT FOR TYCO ELECTRONICS CORPORATION IT IS SUBJECT TO CHANGE AND THE CONTROLLING ENGINEERING ORGANIZATION SHOULD BE CONTACTED FOR THE LATEST REVISION.		DWN R. Daamen 07 apr 06 CHK P. Jaeger 10 apr 06 APVD J. Broeksteeg 10 apr 06	Tyco Electronics Tyco Electronics Nederland BV 's-Hertogenbosch, The Netherlands
DIMENSIONS: mm 	TOLERANCES UNLESS OTHERWISE SPECIFIED: 0 PLC ±2 1 PLC ± 2 PLC ± 3 PLC ± 4 PLC ± ANGLES ± FINISH ±	PRODUCT SPEC 108-19299 APPLICATION SPEC WEIGHT - CUSTOMER DRAWING	NAME BUSBAR ASSEMBLY LEFT SIZE A2 CAGE CODE 00779 DRAWING NO C-1857561 RESTRICTED TO - SCALE 5:1 SHEET 1 OF 2 REV BI

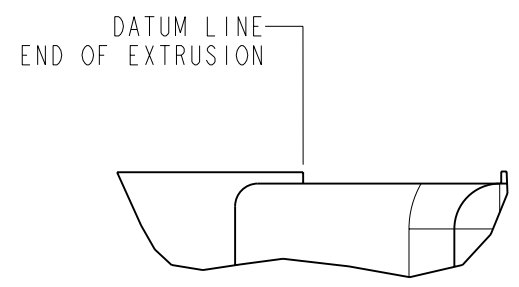
THIS DRAWING IS UNPUBLISHED. RELEASED FOR PUBLICATION
 © COPYRIGHT - BY TYCO ELECTRONICS CORPORATION. ALL RIGHTS RESERVED.

LOC	DIST	REVISIONS					
H	-	P	LTR	DESCRIPTION	DATE	DWN	APVD
		-		SEE SHEET 1			

PARTNUMBER: 1857561-2 AS SHOWN



DETAIL D
SCALE 2:1



DETAIL C
SCALE 2:1

NOTES:
SEE SHEET 1 FOR NOTES.

PARTNUMBER	EFFECTIVE LENGTH (mm)	Dimension A	Dimension B	PITCH	QTY
1857561-2	1800	1820	35	350	6
1857561-6	500	520	35	225	3
1857561-8	1000	1020	30	320	4
1-1857561-0	1500	1520	40	360	5
1-1857561-2	2000	2020	35	325	7
1-1857561-4	2250	2270	40	365	7
1-1857561-6	780	800	47	304.8	2
1-1857561-8	1680	1700	47	304.8	6

ITEM NO.	DESCRIPTION	MATERIAL	FINISH/COLOR
10	ELASTOMERIC CORD (2x)	ELASTOMER	WHITE
9	SLIDE-BOLT M5	STAINLESS STEEL	
8	WASHER M5	STAINLESS STEEL	
7	NUT M5	STAINLESS STEEL	
6	BASE-COVER	PBT 20%GF	BLACK
5	TOP-COVER	PBT 20% GF	BLACK
4	CONDUCTOR LONG	COPPER ALLOY	NICKEL PLATED
3	CONDUCTOR SHORT	COPPER ALLOY	NICKEL PLATED
2	SELF ADHESIVE TAPE	TAPE	TRANSPARENT/BLACK LETTERS
1	EXTRUSION	THERMOPLASTIC UL94V-0	WHITE

THIS DRAWING IS A CONTROLLED DOCUMENT FOR TYCO ELECTRONICS CORPORATION. IT IS SUBJECT TO CHANGE AND THE CONTROLLING ENGINEERING ORGANIZATION SHOULD BE CONTACTED FOR THE LATEST REVISION.

DWN: R. Daamen 07 apr 06
 CHK: P. Jaeger 10 apr 06
 APVD: J. Broeksteeg 10 apr 06

PRODUCT SPEC: 108-19299
 APPLICATION SPEC: -

MATERIAL: -
 FINISH: -

WEIGHT: -

CUSTOMER DRAWING

Tyco Electronics Tyco Electronics Nederland BV 's-Hertogenbosch, The Netherlands

NAME: BUSBAR ASSEMBLY RIGHT

SIZE: A2 CAGE CODE: 00779 DRAWING NO: C-1857561 RESTRICTED TO: -

SCALE: 5:1 SHEET 2 OF 2 REV: B1