

THIS DRAWING IS UNPUBLISHED.  
DIFFUSION RESTREINTE AMP

RELEASED FOR PUBLICATION  
LIBRE A LA DIFFUSION

ALL RIGHTS RESERVED.  
TOUS DROITS RESERVES

© COPYRIGHT - TE Connectivity

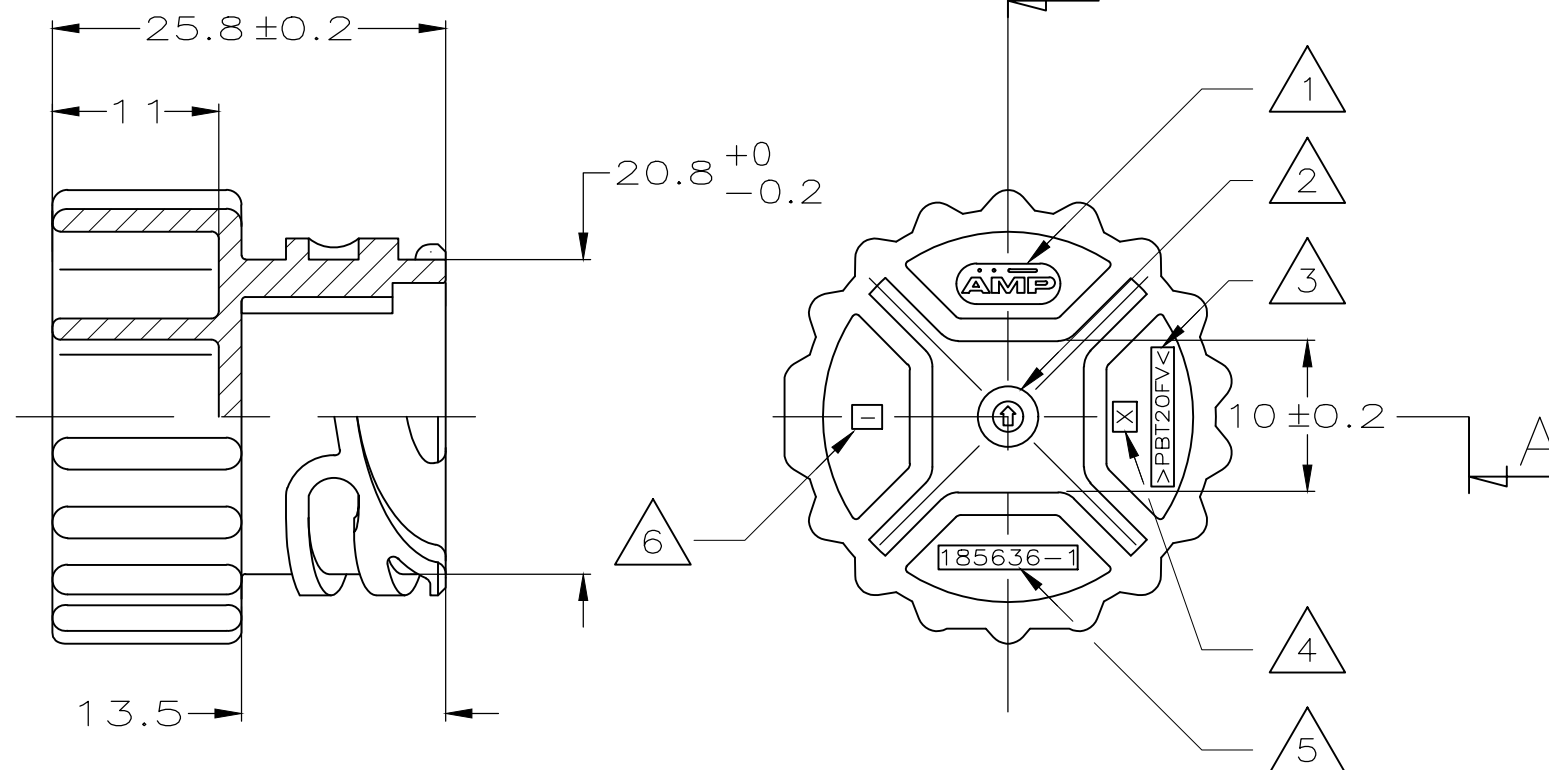
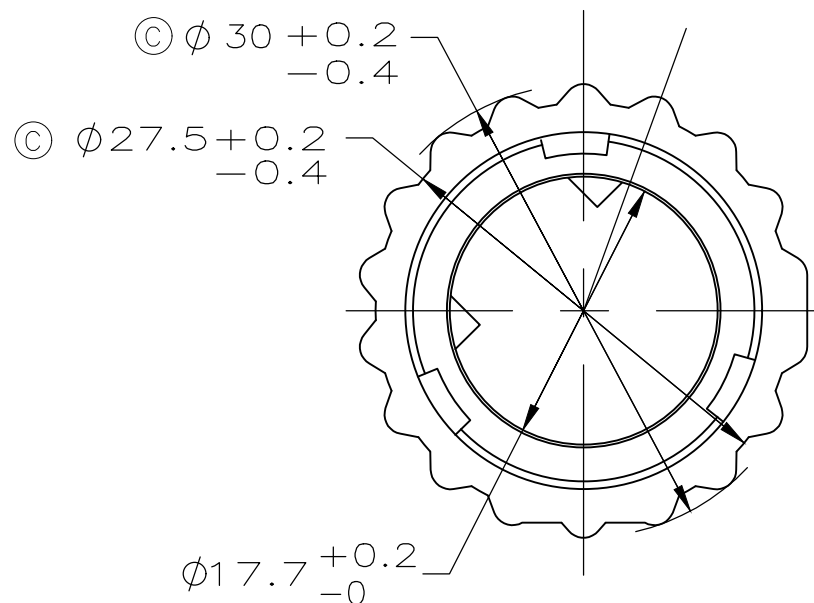
DIST

7

REVISIONS

P	LTR REV	DESCRIPTION MODIFICATIONS	DATE	DWN DESS.	APVD APP.
	A	UPDATE OF RING DESIGN	14JAN1997	RB	-
	B	ADD ENGLISH TRANSLATION	18JAN2011	CS	JPP
	C	TOLERANCE UPDATE	12OCT2017	ASB	SA

SECTION A-A  
SECTION A-A



NOTES

- 1 MARQUAGE LOGO  
LOGO MARKING
- 2 DATEUR  
DATE CODE
- 3 MARQUAGE MATIERE  
MATERIEL MARKING
- 4 REPERE D'EMPREINTE  
CAVITY NUMBER
- 5 MARQUAGE REF. TE  
PART NUMBER MARKING
- 6 INDICE DE REVISION PRODUIT  
PART REVISION CODE

THIS DRAWING IS A CONTROLLED DOCUMENT. CE SCHÉMA EST UN DOCUMENT CONTROLÉ		DWN/DESSINE D.BENOIT 11MAR1996	<b>STE</b> TE Connectivity		
DIMENSIONS: mm		CHK/VERIFIE R.BONNET 05FEB1997			
TOLERANCES UNLESS OTHERWISE SPECIFIED: TOLERANCES NON SPECIFIEES (SUIV NB DE DECIMALES):		APVD/APPROUVE JJ.REVIL 05FEB1997	NAME TITRE OBTURATEUR DE PORTE-DOUILLE DIA2.5MM OBTURATOR OF CARRY-CASING DIA2.5MM		
0 PLC/DEC: ± - 1 PLC/DEC: ± - 0.3 2 PLC/DEC: ± - 3 PLC/DEC: ± - 4 PLC/DEC: ± - ANGLES ±5°		PRODUCT SPEC SPEC. PRODUIT -	APPLICATION SPEC SPEC. APPLICATION -		
MATERIAL MATIERE PBT 20 FV		FINISH FINITION NOIR BLACK	SIZE FORMAT A3	CAGE CODE 00779	DRAWING NO No PLAN C-185636
		WEIGHT MASSE APPROX. -	UNIQUEMENT POUR REFERENCE	SCALE ECHELLE 2:1	RESTRICTED TO RESERVE A -
CUSTOMER DRAWING/PLAN CLIENT			SHEET FEUILLE 1 OF 1	REV C	