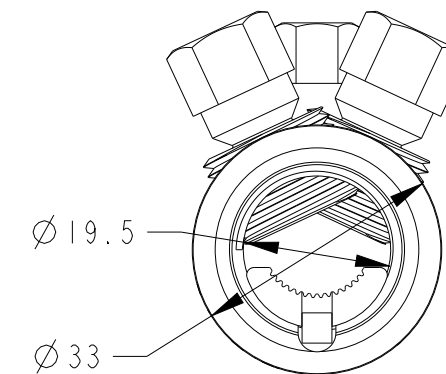
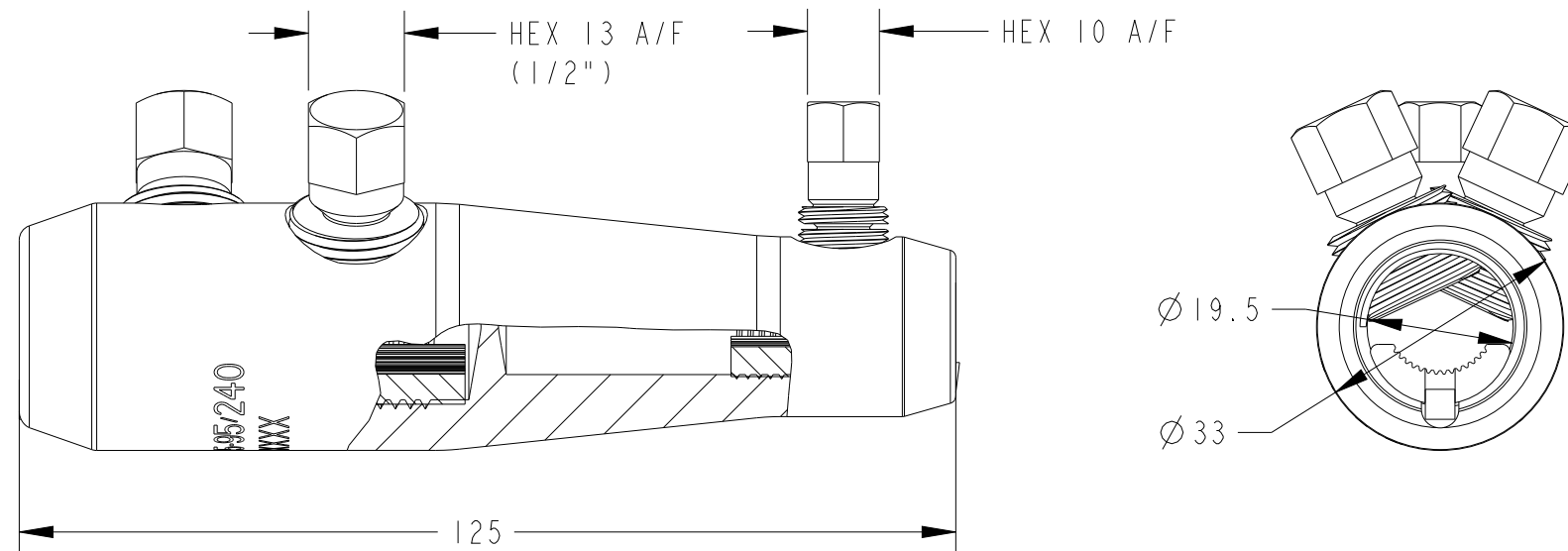
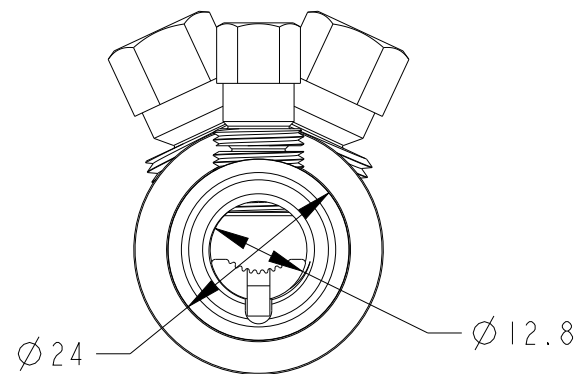


© 2020 TE Connectivity. All Rights Reserved.

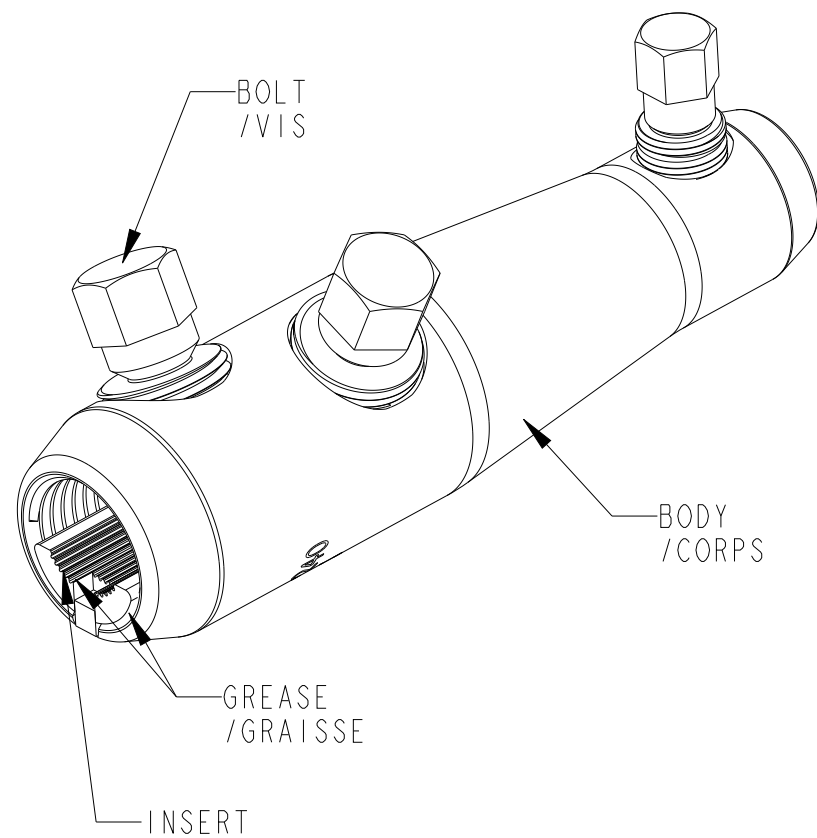
REVISIONS

BSMB-25/95-95/240-NL	1856146-2
BSMB-25/95-95/240	877438N001
DESCRIPTION	TCPN

P	LTR	DESCRIPTION	DATE	DWN	APVD
	A	CROSS SECTION ALU ROUND SOLID ADDED	15NOV2006	AB	BP
	B	UPDATE MARKING	12JULY2007	BM	BP
	C	ECR-20-002922 HEAD REDUCED TO 13	07MAY2020	NB	AG
	D	ADD PRODUCT	13JAN2023	BM	NA

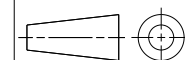


	AL				CU			
	ROUND STRANDED /Rond câblé /RM	ROUND SOLID /Rond solide /RE	SECTOR STRANDED /Sectoral câblé /SM	SECTOR SOLID /Sectoral câblé /SE	ROUND STRANDED /Rond câblé /RM	SECTOR STRANDED /Sectoral câblé /SM	ROUND SOLID /Rond solide /RE	ROUND FLEX
CONDUCTOR CROSS-SECTION /Section conducteur /Querschnittsbereich mm <sup>2</sup> 95/240 SIDE/SEITE	70-240	95-240	95-150 (185 with 240 rounding)	95-150 (185 with 90°)	70-240	95-150 (185 with rounding)	-	95-150
CONDUCTOR DIAMETER LEITERDURCHMESSER mm	Ø 9.3-Ø 19.2	Ø 10.5-Ø 18	-	-	Ø 9.3-Ø 19.2	-	-	Ø 13-14.3 Ø 16.5-Ø 19
CONDUCTOR DIAMETER /Diamètre conducteur /Leiterdurchmesser mm 25/95 SIDE/SEITE	25-95	25-95	25-70 (95 with rounding)	-	16-95	25-70 (95 with rounding)	10-50	25-30 70
CONDUCTOR DIAMETER LEITERDURCHMESSER mm	Ø 5.7-Ø 12.5	Ø 5.5-Ø 11	-	-	Ø 4.8-Ø 12.5	-	Ø 3.6-Ø 8	Ø 6.3-Ø 9.2 (25 <sup>2</sup> -35 <sup>2</sup> ) Ø 11-Ø 12 (FOR 70 <sup>2</sup> )



THIS DRAWING IS A CONTROLLED DOCUMENT.

DIMENSIONS:  
mm



MATERIAL  
AL ALLOY

TOLERANCES UNLESS OTHERWISE SPECIFIED:

0 PLC	± 0
1 PLC	± 0
2 PLC	± 0
3 PLC	± 0
4 PLC	± 0
ANGLES	± -
FINISH	TINNED

FINISH  
TINNED

DWN 06MAR2020  
N. BASAVARAJ

CHK F. HEBERT

APVD N. ALMEIDA

PRODUCT SPEC

APPLICATION SPEC

WEIGHT 140 g

CUSTOMER DRAWING



TE Connectivity

NAME  
BSMB-25/95-95/240

SIZE A3

CAGE CODE 00779

DRAWING NO. 1856146

RESTRICTED TO  
SCALE 1:1 SHEET 1 OF 1 REV D