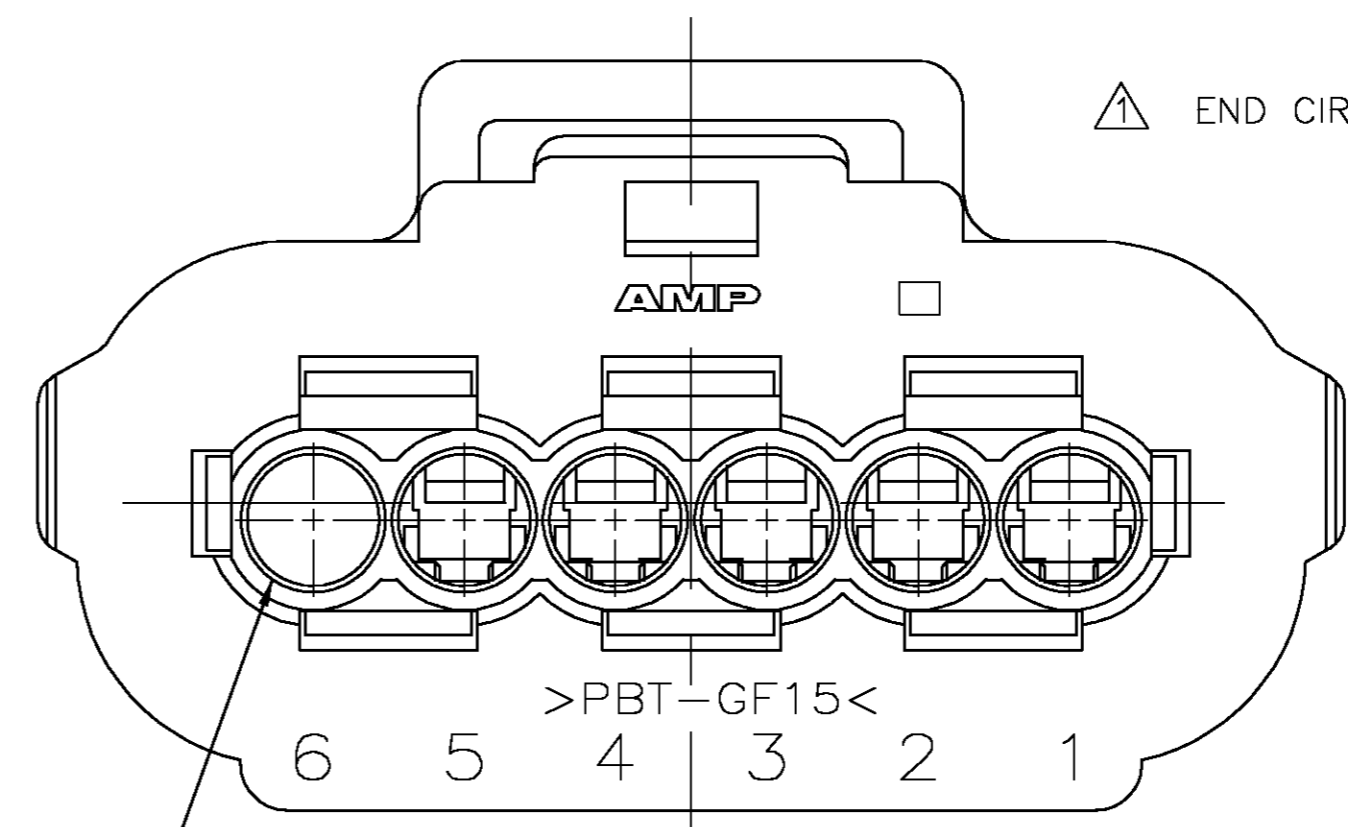
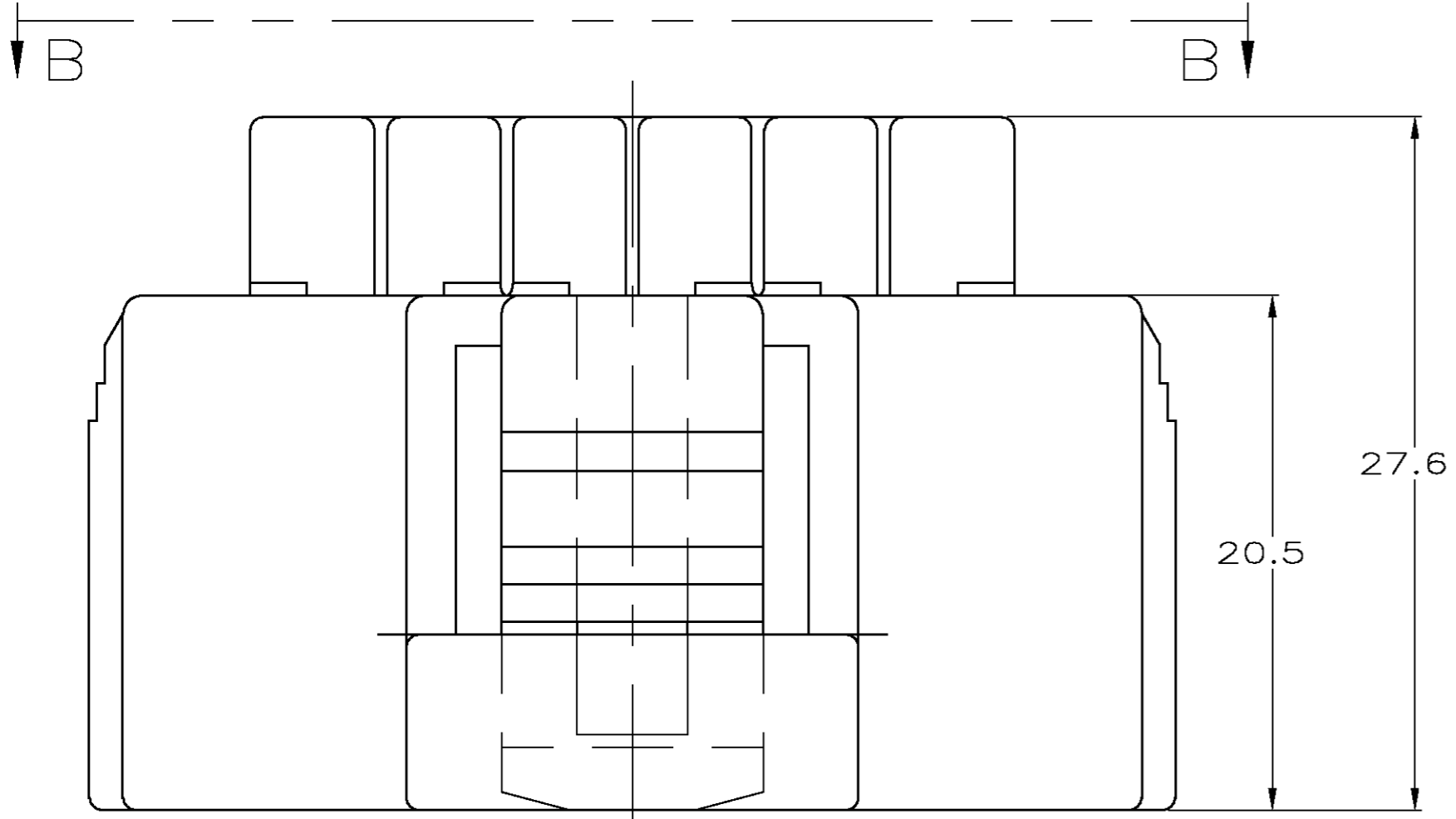


THIS DRAWING IS UNPUBLISHED. RELEASED FOR PUBLICATION
 © COPYRIGHT BY TYCO ELECTRONICS CORPORATION. ALL RIGHTS RESERVED.

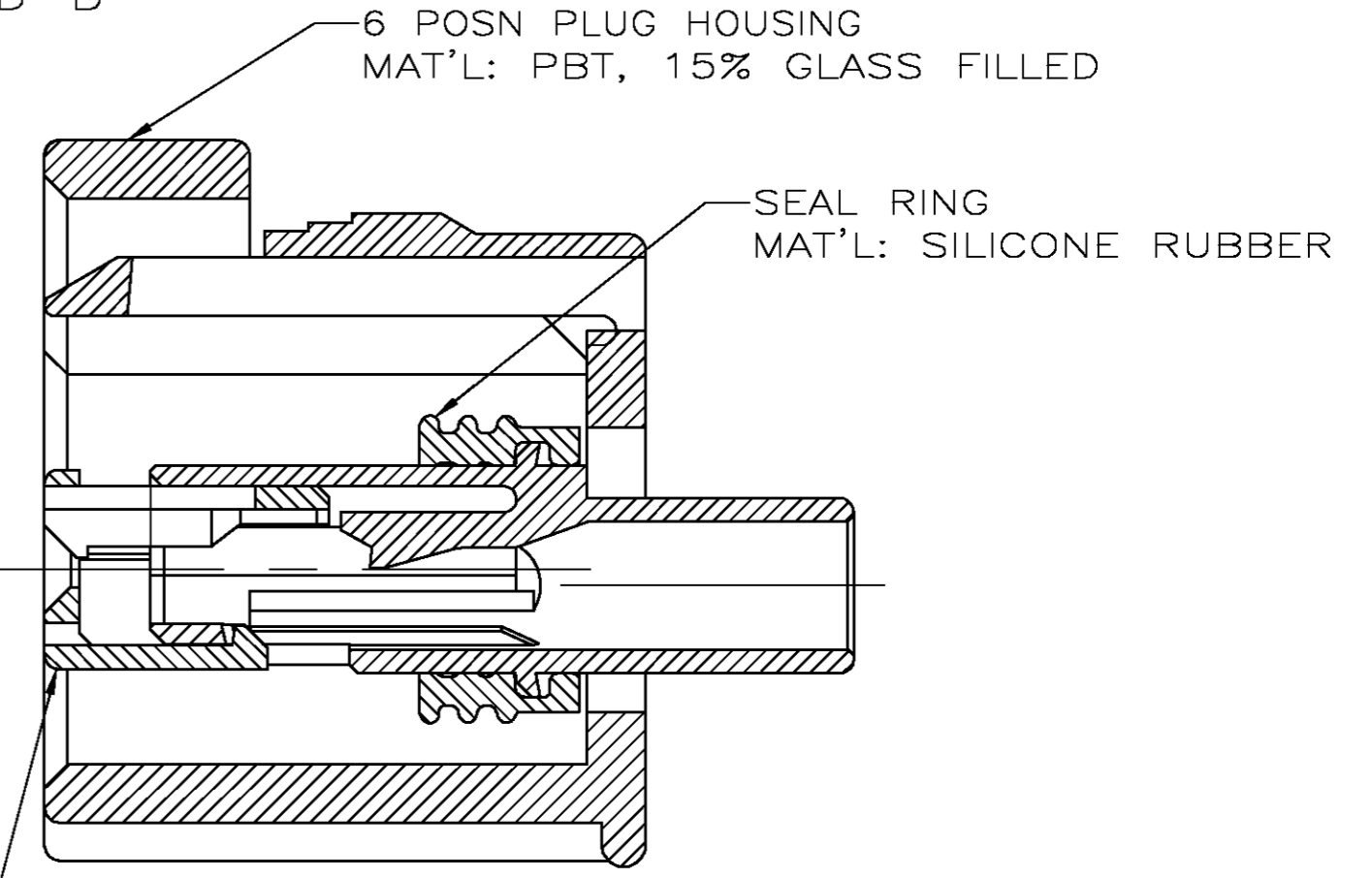
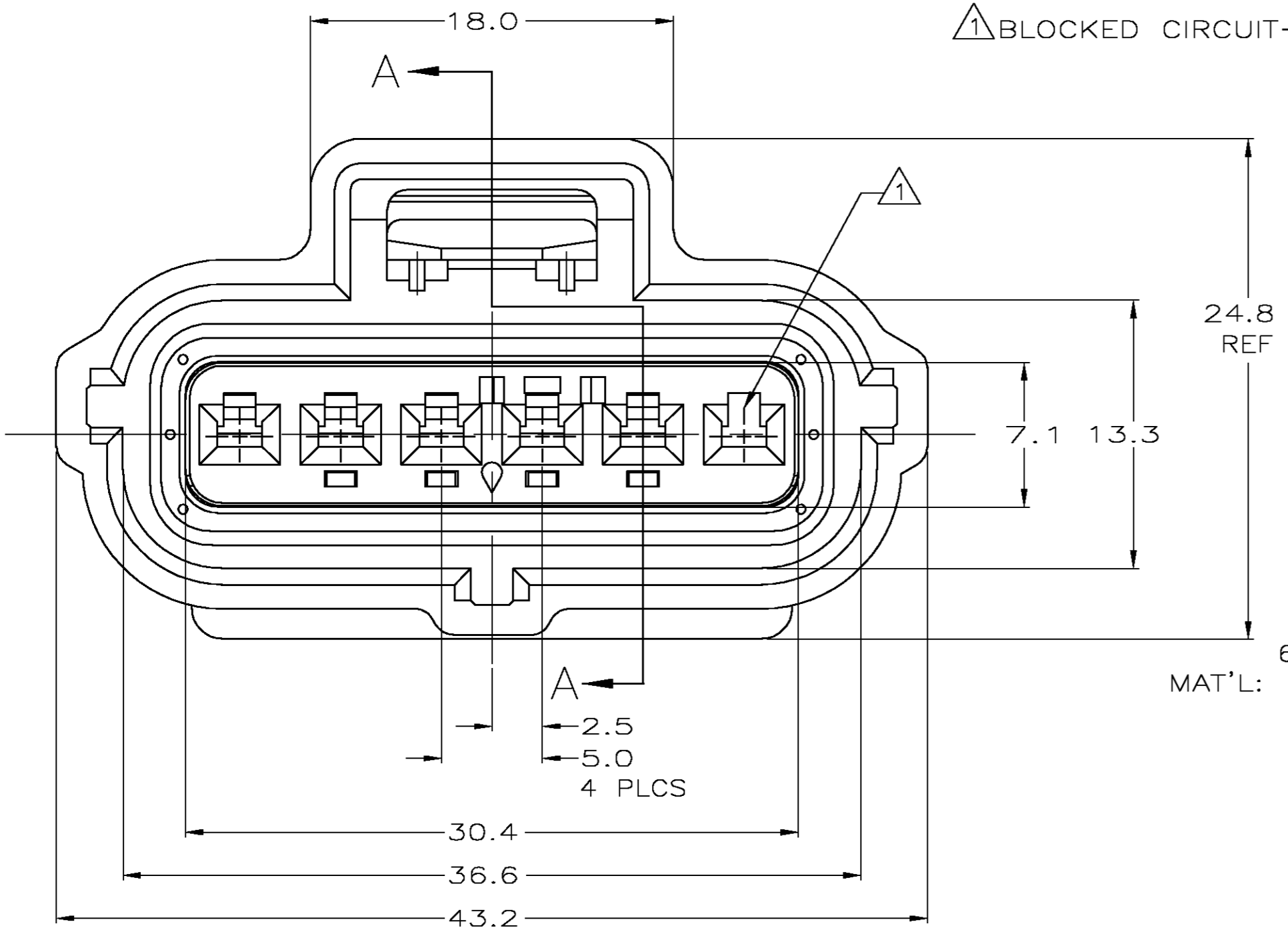
LOC		DIST		REVISIONS			
P	LTR	DESCRIPTION	DATE	DWN	APVD		
G	16	B	EC 0K40-0177-04	12OCT04	JRB	KLC	



△ END CIRCUIT NUMBER 6 IS BLOCKED.

△ 1 BLOCKED CIRCUIT

VIEW B-B



6 POSN DBL LOCK PLATE MAT'L: PBT, 15% GLASS FILLED

SECTION A-A

184313-1
PART NUMBER

THIS DRAWING IS A CONTROLLED DOCUMENT.		DWN	KD LYTLE	05/05/98	 Tyco Electronics Corporation Harrisburg, Pa 17105-3608
DIMENSIONS: mm		CHK	JP KUNKLE	05/13/98	
TOLERANCES UNLESS OTHERWISE SPECIFIED:		APVD	JP KUNKLE	05/13/98	
0 PLC ± - 1 PLC ± - 2 PLC ± 0.3 3 PLC ± - 4 PLC ± - ANGLES ± ° FINISH -		PRODUCT SPEC	108-1790	NAME	
MATERIAL -		APPLICATION SPEC	114-8004	SIZE	A2
		WEIGHT	-	CAGE CODE	00779
		CUSTOMER DRAWING		DRAWING NO	C=184313
				RESTRICTED TO	-
				SCALE	4:1
				SHEET	1 OF 1
				REV	B