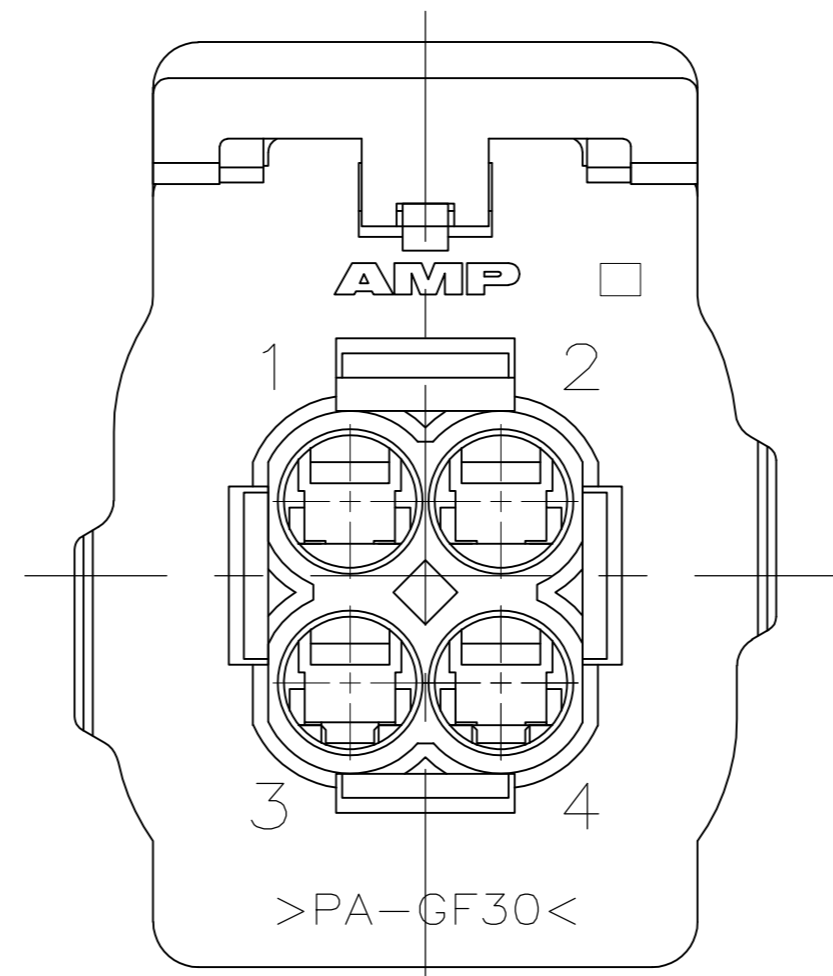
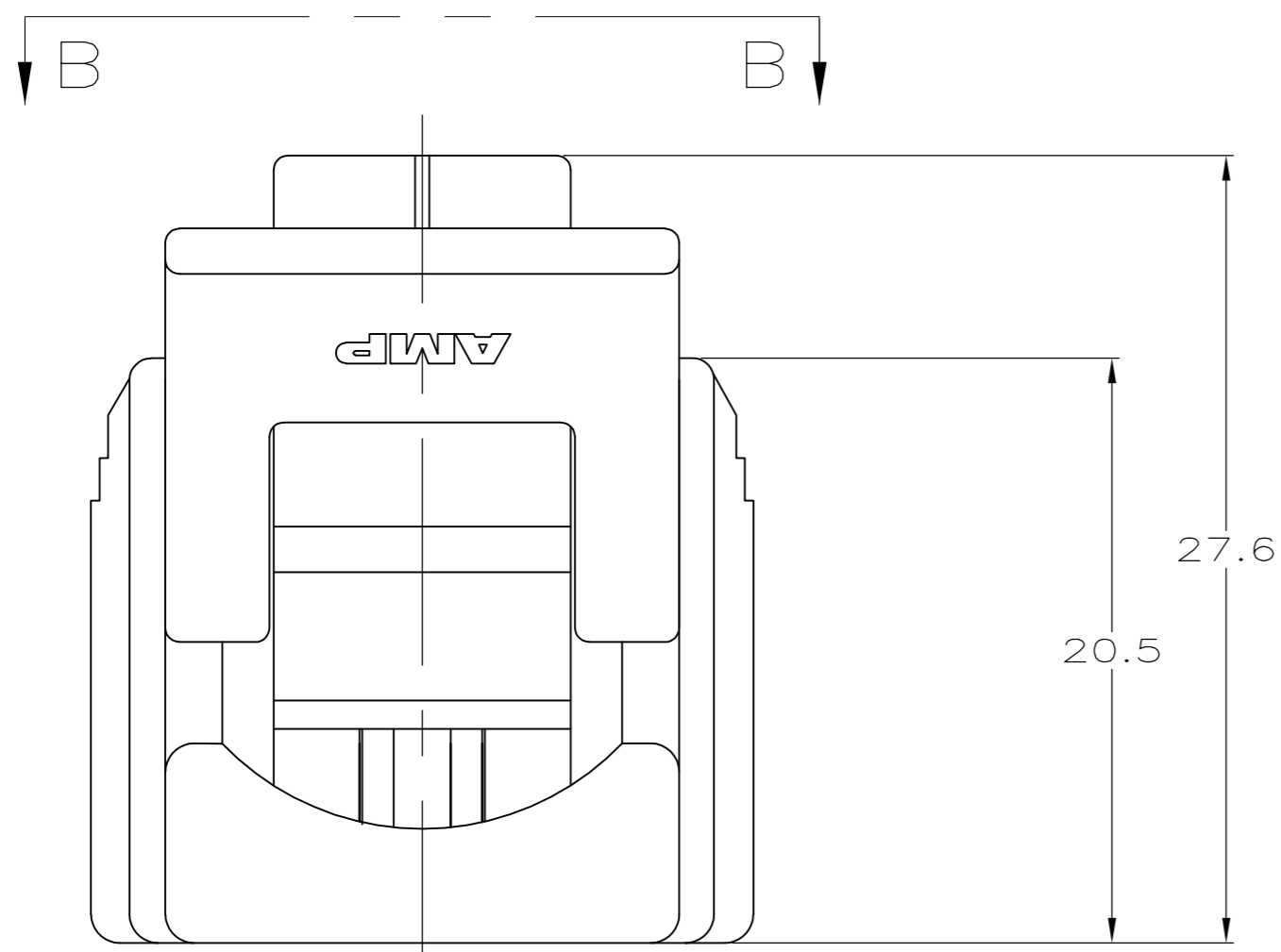


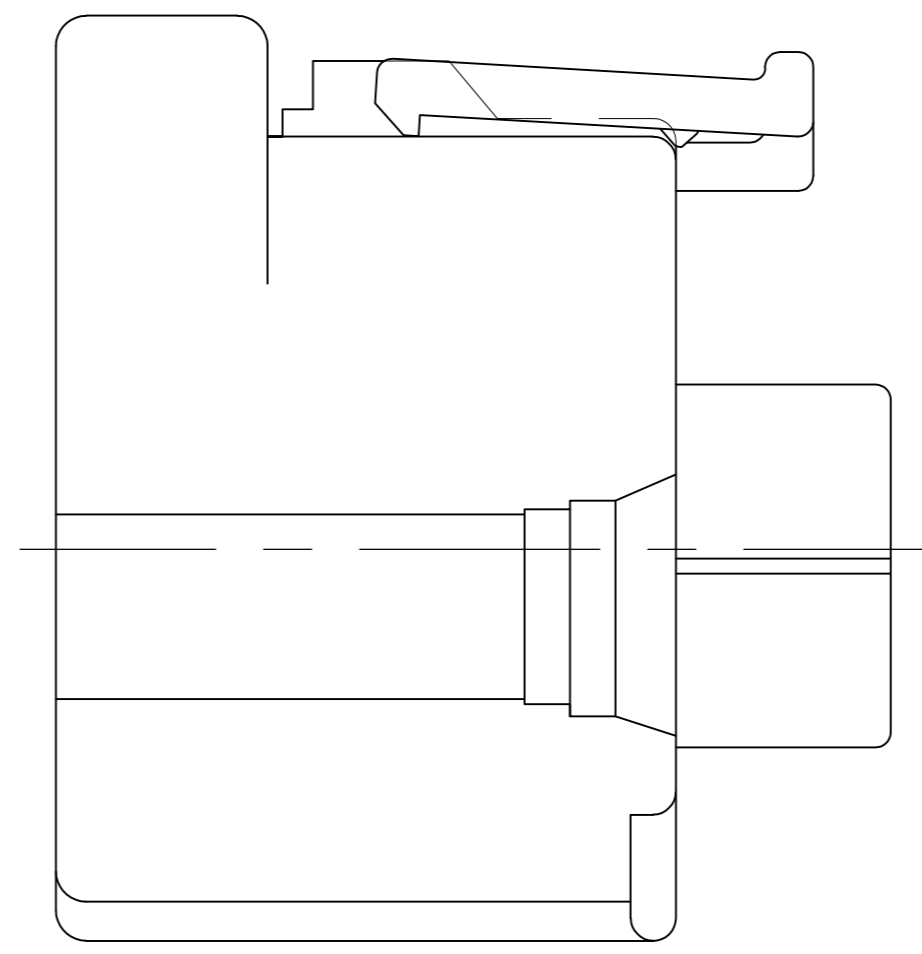
THIS DRAWING IS UNPUBLISHED. RELEASED FOR PUBLICATION
 © COPYRIGHT BY TYCO ELECTRONICS CORPORATION. ALL INTERNATIONAL RIGHTS RESERVED.

LOC	DIST	REVISIONS			
P	LTR	DESCRIPTION	DATE	DWN	APVD
GE	16				
G		REVISED PER ECO-09-008507	09APR2009	DD	MB



VIEW B-B

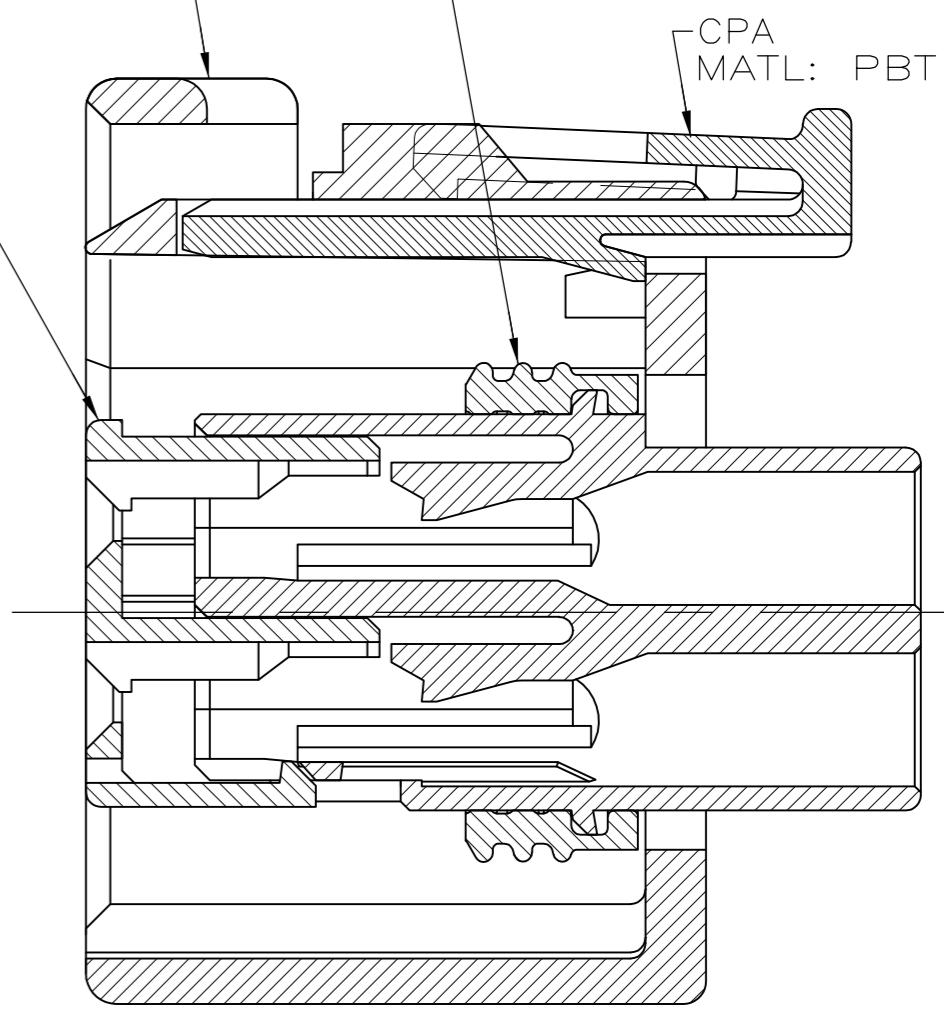
DBL LOCK PLATE
 MATL: PBT, 15%
 GLASS FILLED



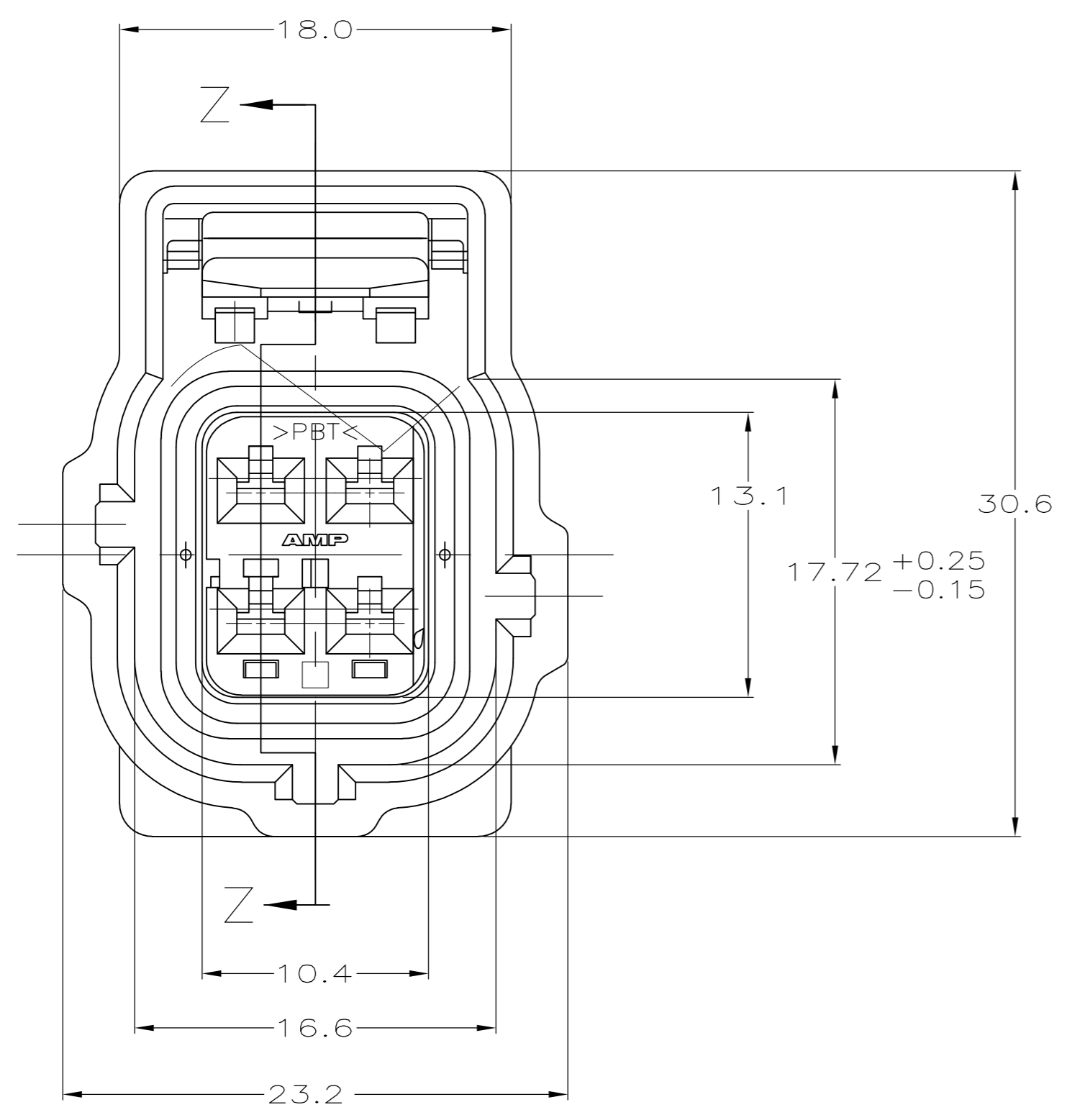
PLUG HOUSING
 MATL: 4/6 NYLON, 30% GLASS FILLED

SEAL RING
 MATL: SILICONE RUBBER

CPA
 MATL: PBT



SECTION Z-Z
 SCALE 4:1



NATURAL	184301-2
BLACK	184301-1
PLUG COLOR	PART NUMBER

THIS DRAWING IS A CONTROLLED DOCUMENT.		DWN	KD LYTLE	05/12/97	Tyco Electronics Corporation Harrisburg, PA 17105-3608
DIMENSIONS: mm		CHK	CT HYRB	05/13/97	
TOLERANCES UNLESS OTHERWISE SPECIFIED:		APVD	CT HYRB	05/13/97	
0 PLC ± - 1 PLC ± 0.3 2 PLC ± 0.15 3 PLC ± - 4 PLC ± - ANGLES ± - FINISH -		PRODUCT SPEC	NAME		
MATERIAL		APPLICATION SPEC	2 X 2 PLG ASY KEY C-C4 W/CPA		RESTRICTED TO
-		WEIGHT	-	SIZE	A2
-		CUSTOMER DRAWING	SCALE	4:1	SHEET 1 of 1
		CAGE CODE		00779	DRAWING NO
		C=184301		REV G	