

4

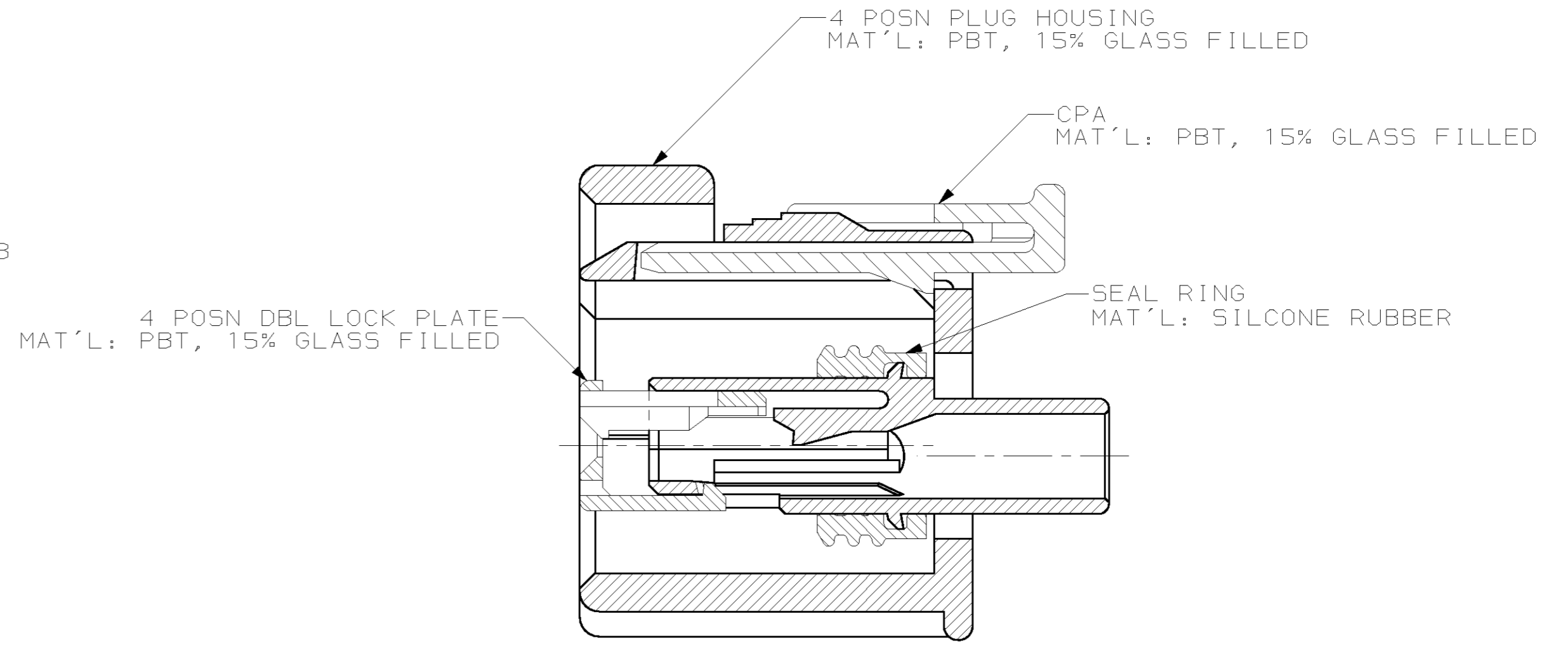
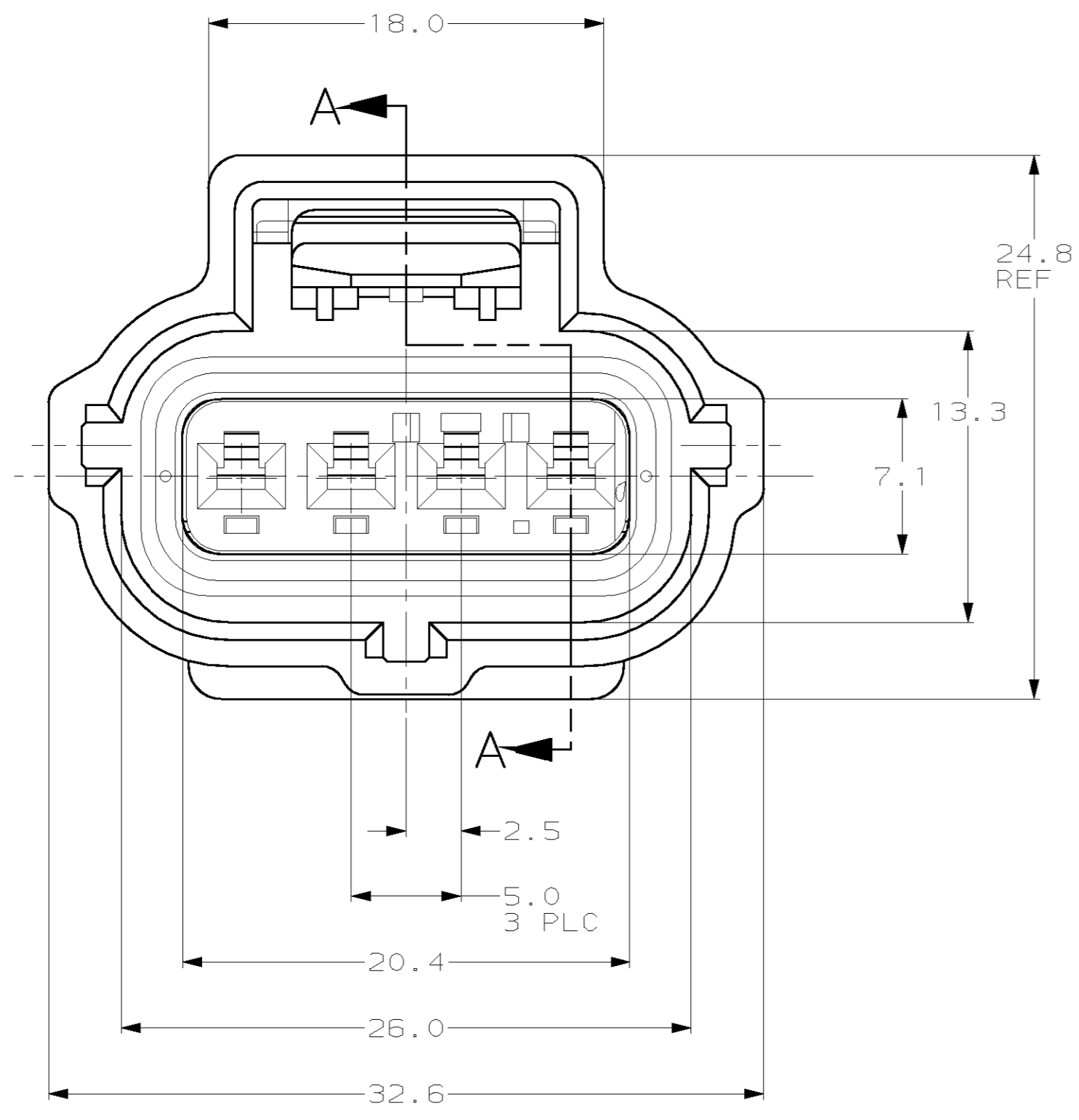
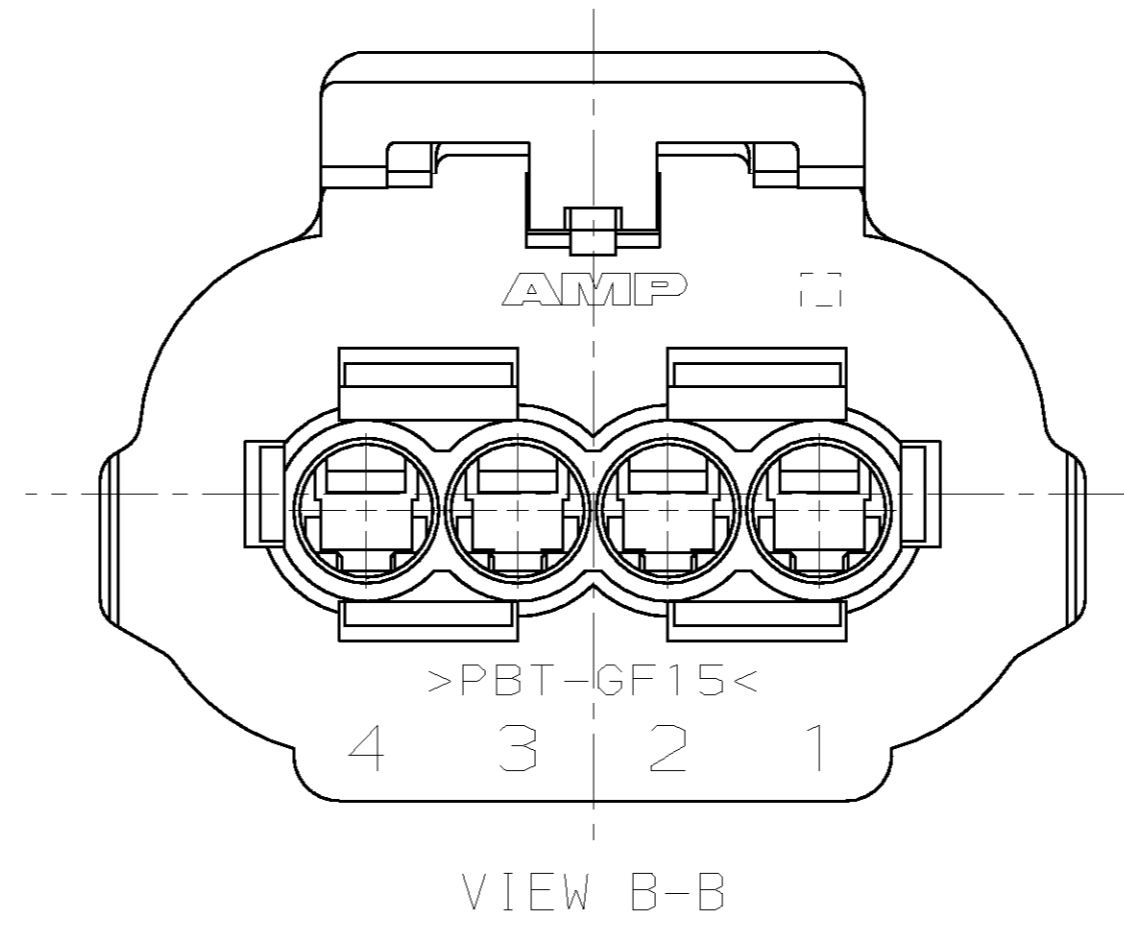
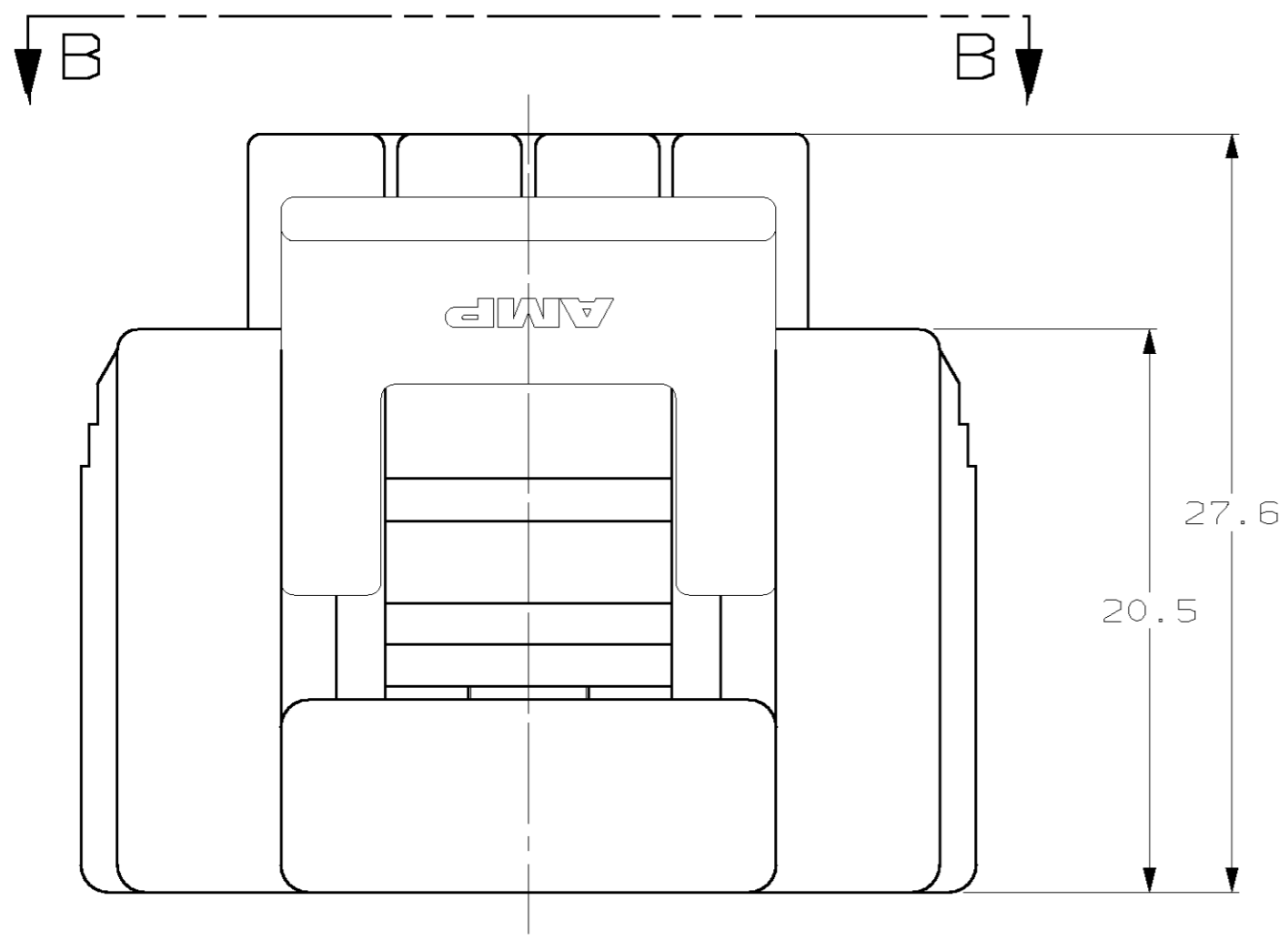
3

2

1

THIS DRAWING IS UNPUBLISHED. RELEASED FOR PUBLICATION .19
 (C) COPYRIGHT 19 BY AMP INCORPORATED. ALL RIGHTS RESERVED.

LOC	DIST	REVISIONS				
P	LTR	DESCRIPTION	DATE	DWN	APVD	
GE	00	0	RELEASED, WAS 95-4072-086-1	05/23/96	KW	CH
		A	RELEASED, WAS 99-4072-046	02SEPT99	KL	GI
		B	REV PER EC# 0K40-0138-00	7-10-00	PC	GI



184275-2	GRAY
184275-1	BLACK
PART NUMBER	COLOR

THIS DRAWING IS A CONTROLLED DOCUMENT FOR AMP INCORPORATED. IT IS SUBJECT TO CHANGE AND THE CONTROLLING ENGINEERING ORGANIZATION SHOULD BE CONTACTED FOR THE LATEST REVISION.		DWN	K. WISE	05/23/96	AMP Incorporated Harrisburg, PA 17105-3608		
DIMENSIONS: mm		CHK	C. HYRB	05/30/96			
TOLERANCES UNLESS OTHERWISE SPECIFIED: 0 PLC ±- 1 PLC ±- 2 PLC ±0.3 3 PLC ±- 4 PLC ±- ANGLES ±1° FINISH -		APVD	C. HYRB	05/30/96			
MATERIAL -		PRODUCT SPEC	-	-			
NAME 1 X 4 PLG ASY KEY C-C3 W/CPA		APPLICATION SPEC	-	-	SIZE	CAGE CODE	DRAWING NO
CUSTOMER DRAWING		WEIGHT	-	-	A2	00779	C-184275
SCALE 4:1		SHEET	1	OF	1	REV	B

184275

B

A