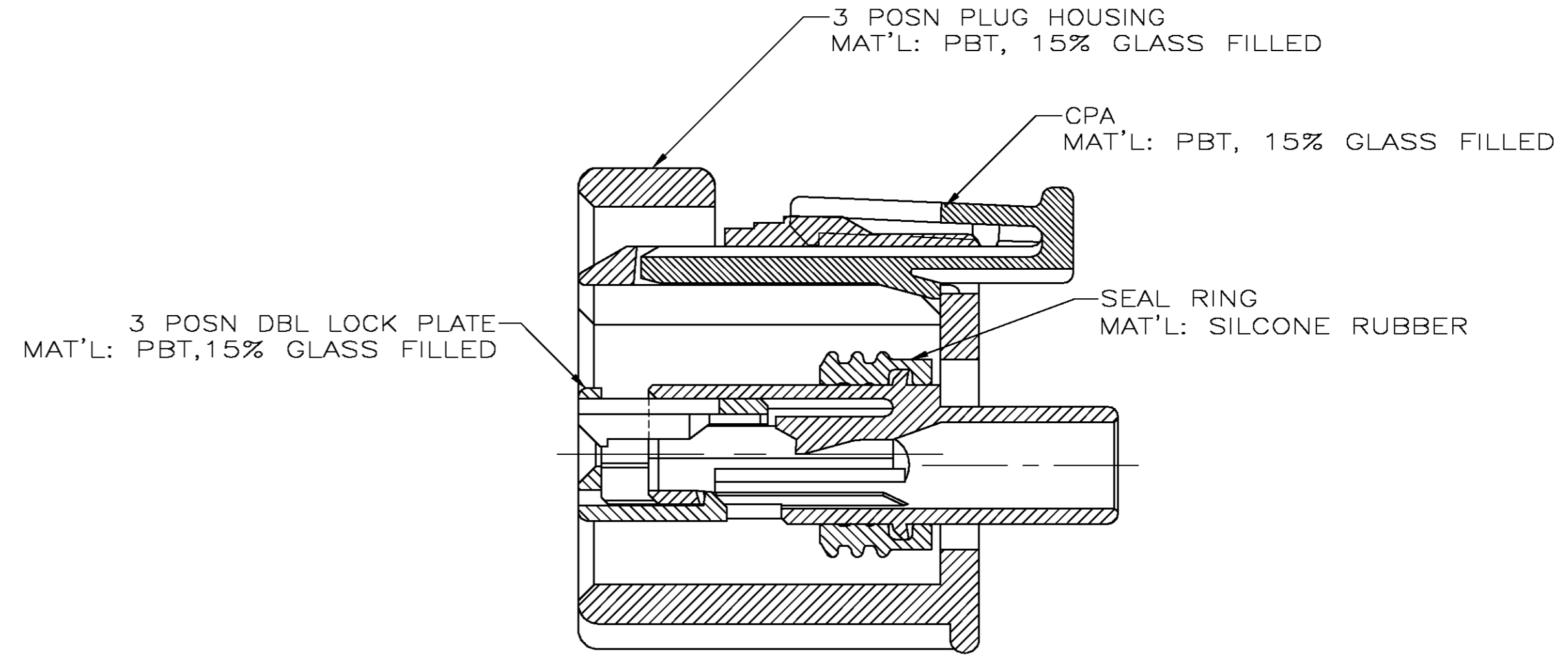
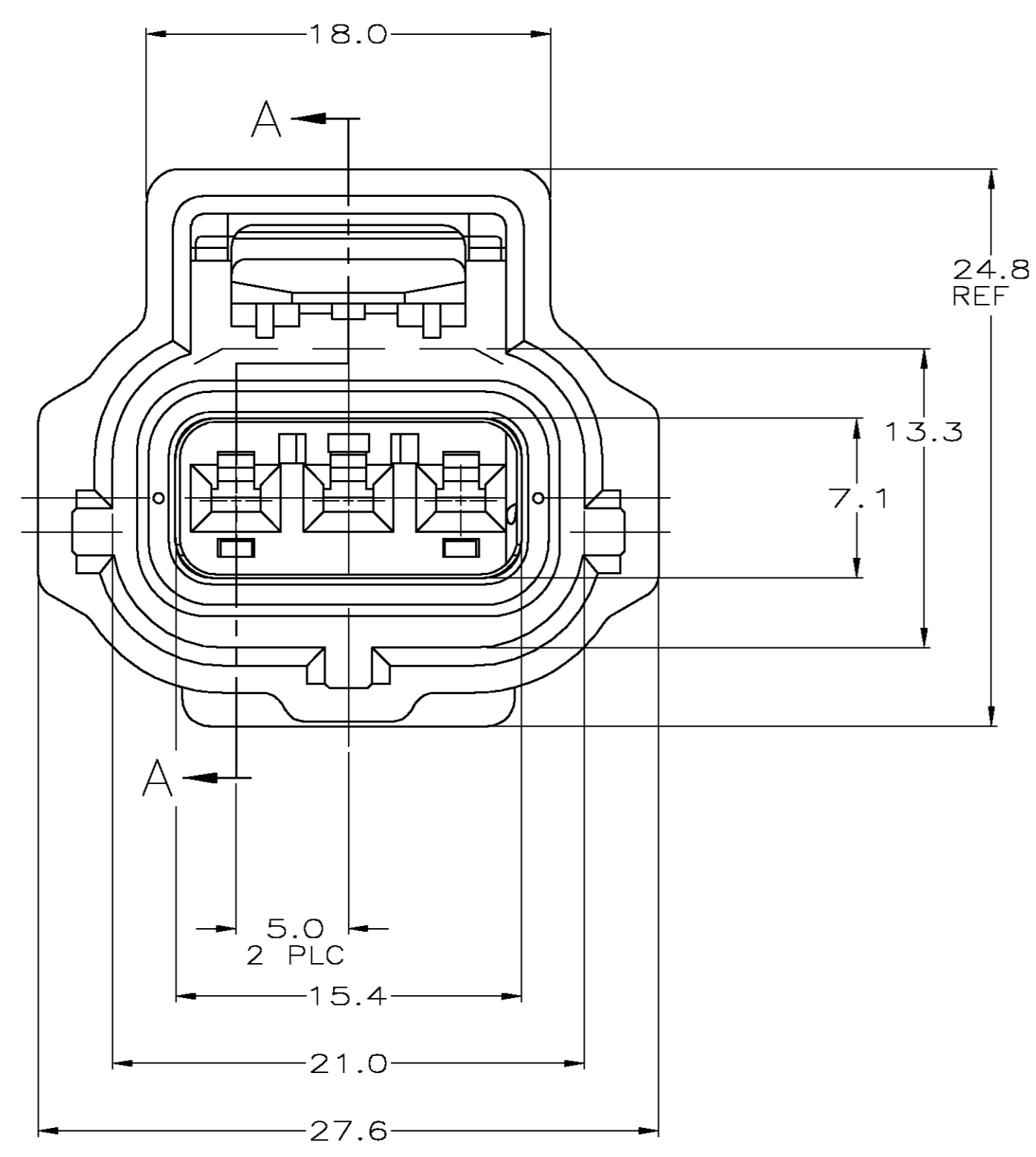
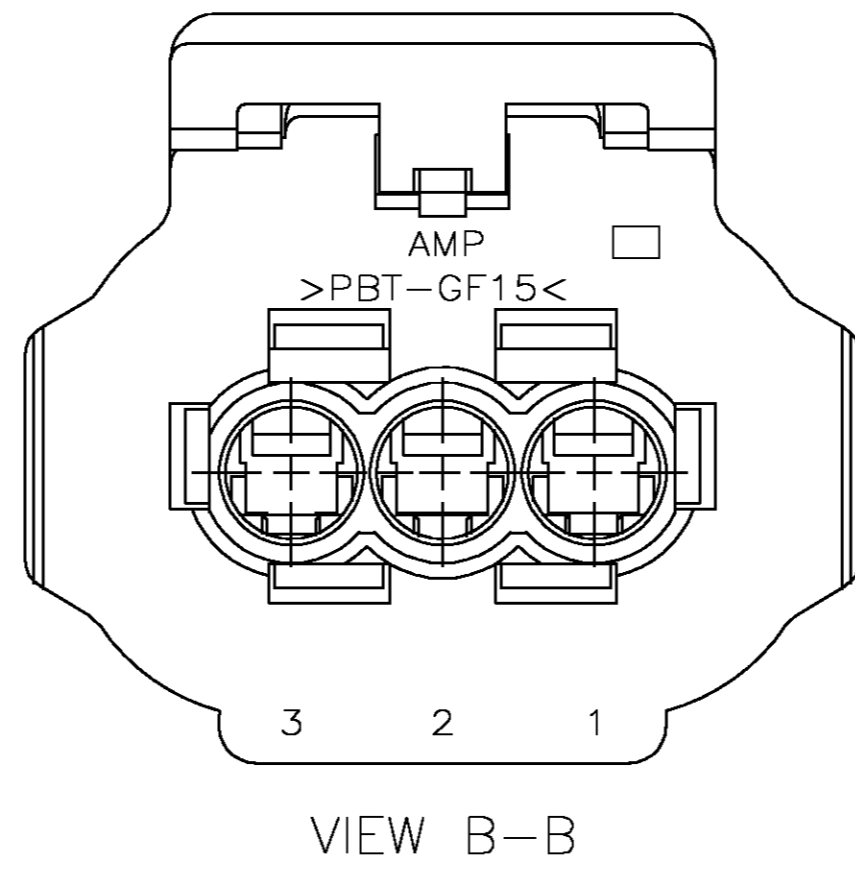
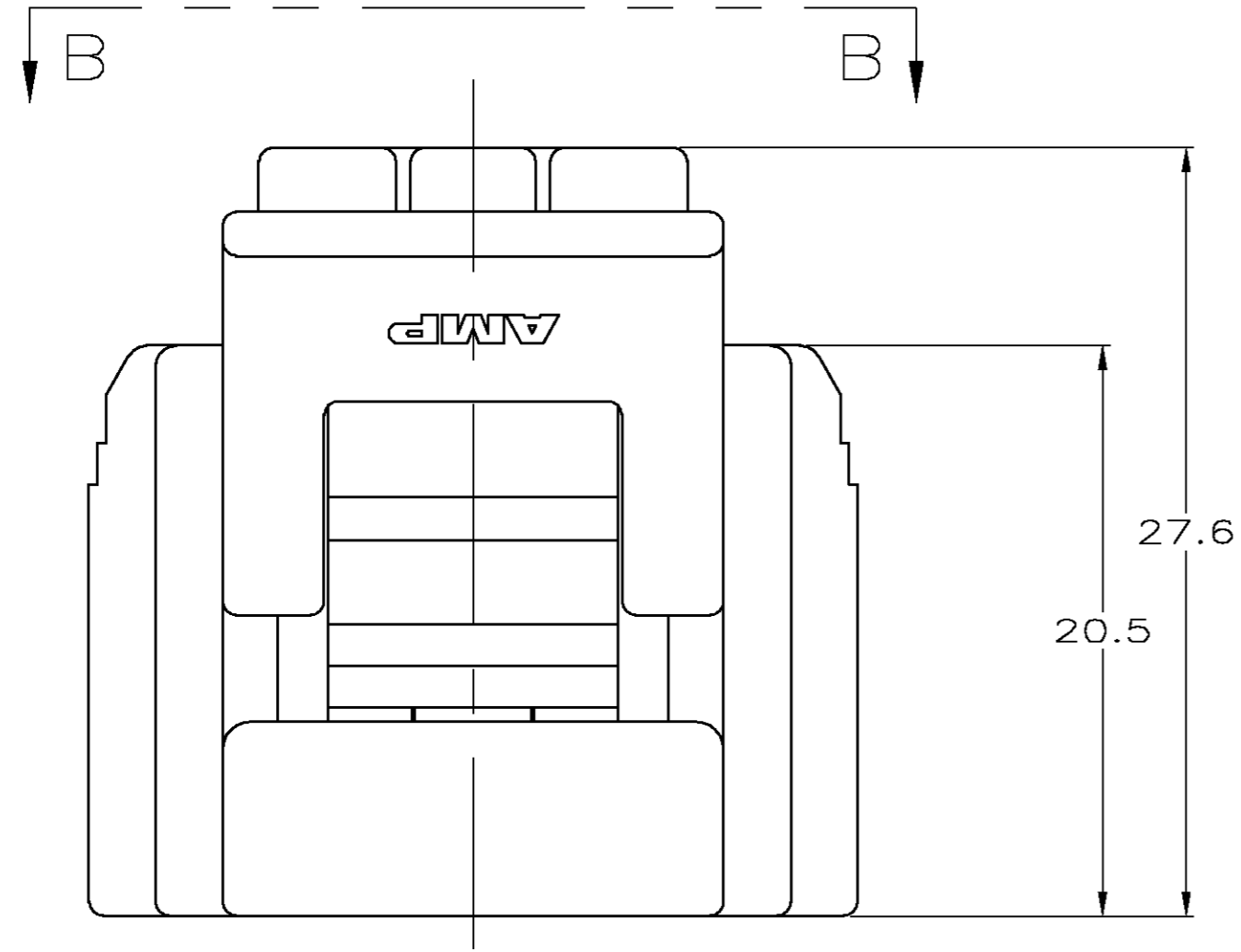


THIS DRAWING IS UNPUBLISHED. RELEASED FOR PUBLICATION
 © COPYRIGHT BY TYCO ELECTRONICS CORPORATION. ALL RIGHTS RESERVED.

LOC		DIST		REVISIONS			
P	LTR	DESCRIPTION	DATE	DWN	APVD		
GE	16	D	REVISED PER EC 0K40-0387-04	19NOV2004	DLD	KLK	



SECTION A-A

184271-1
 PART NUMBER

THIS DRAWING IS A CONTROLLED DOCUMENT.		DWN K. WISE	05/24/96	tyco Electronics	Tyco Electronics Corporation Harrisburg, Pa 17105-3608		
DIMENSIONS: mm		CHK C. HYRB	05/30/96		NAME		
TOLERANCES UNLESS OTHERWISE SPECIFIED:		APVD C. HYRB	05/30/96	PRODUCT SPEC			
0 PLC ± -		APPLICATION SPEC		1 X 3 PLUG ASSEMBLY KEY B-C3 WITH CPA			
1 PLC ± -		WEIGHT		SIZE	CAGE CODE	DRAWING NO	RESTRICTED TO
2 PLC ± 0.3		MATERIAL		A2	00779	C=184271	-
3 PLC ± -		FINISH		CUSTOMER DRAWING			
4 PLC ± -				SCALE	SHEET	OF	REV
ANGLES ± 1°				4:1	1	1	D