

4

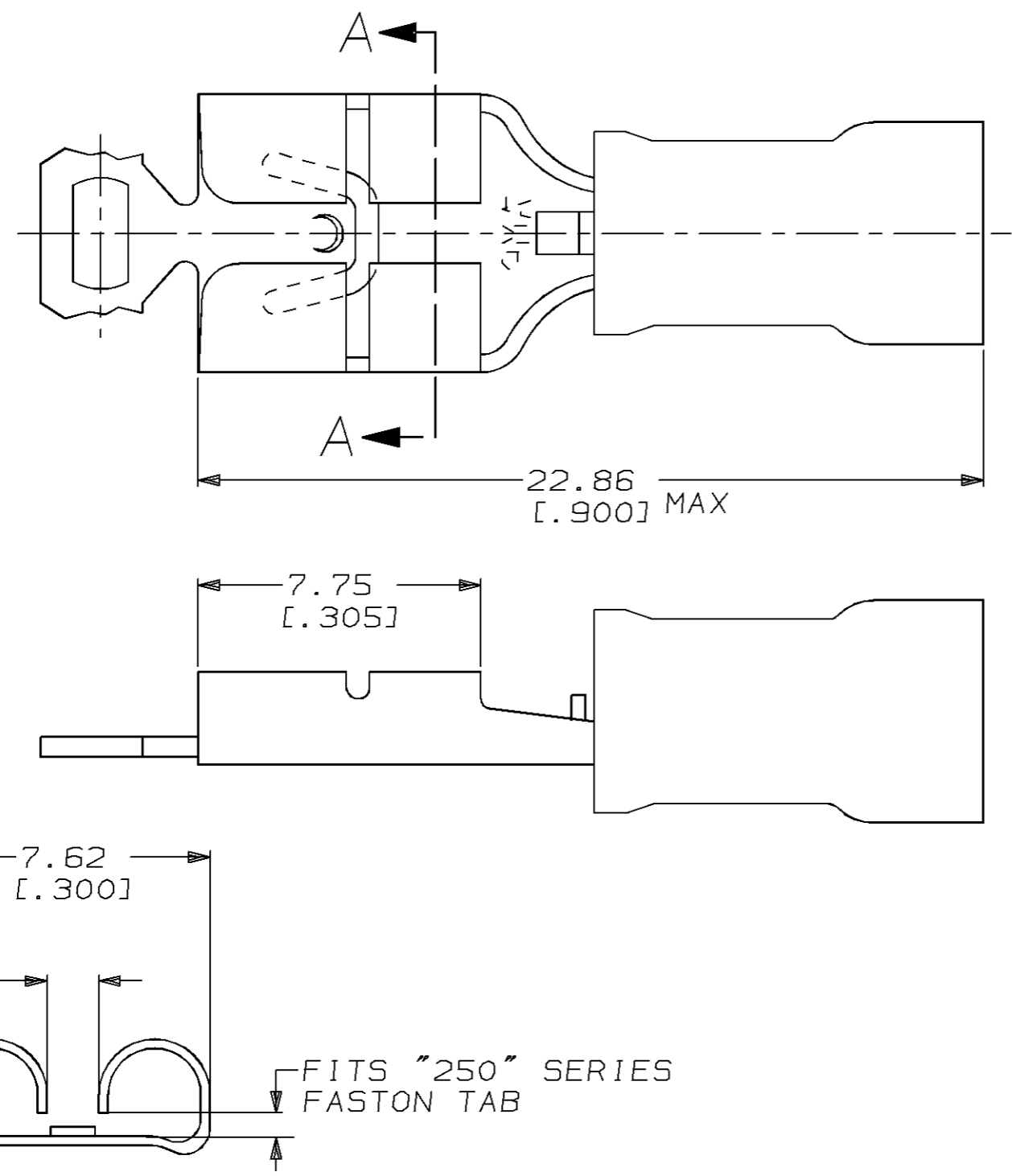
3

2

1

THIS DRAWING IS UNPUBLISHED. RELEASED FOR PUBLICATION ,19 .
 © COPYRIGHT 19 BY AMP INCORPORATED. ALL RIGHTS RESERVED.

LOC	DIST	REVISIONS					
		P	LTR	DESCRIPTION	DATE	DWN	APVD
G	14			REL PER 96-1161-003	10JUN96	LO	BB



1. INSULATION DIA 3.43 [0.135] MAX
2. FITS TAB 0.81 [0.032] THK

SECT A-A

-	-	184261-1
QTY	PACKAGE TYPE	PART NO

AMP INCORPORATED CUSTOMER SERVICE SYSTEM		MAX RECOMMENDED OPERATING TEMPERATURE: -	THIS DRAWING IS A CONTROLLED DOCUMENT FOR AMP INCORPORATED. IT IS SUBJECT TO CHANGE AND THE CONTROLLING ENGINEERING ORGANIZATION SHOULD BE CONTACTED FOR THE LATEST REVISION.		DWN L OLMEDA 29MAY96	AMP Incorporated Harrisburg, PA 17105-3608
FOR ADDITIONAL PRODUCT INFORMATION OR COPIES OF DRAWINGS AND TECHNICAL DOCUMENTS	PRODUCT INFORMATION CENTER 1-800-522-6752	VOLTAGE RATING: -	DIMENSIONS: mm [in]	TOLERANCES UNLESS OTHERWISE SPECIFIED:	CHK M ELLIS 29MAY96	
FOR APPLICATION TOOLING INFORMATION	TOOLING ASSISTANCE CENTER 1-800-722-1111	CIRCULAR MIL AREA: -		0 PLC ±-	APVD B BARE 29MAY96	NAME RECEPTACLE, 250 SERIES, LOW INSERTION FORCE, FASTON™, PIDG™, WIRE SIZE, 22-18 AWG
FOR ORDER ENTRY	1-800-526-5142			MATERIAL BODY, BRASS .018 SLV, NYLON, COLOR, RED	1 PLC ±- 2 PLC ±0.38 [0.015] 3 PLC ±- 4 PLC ±- ANGLES ±-	PRODUCT SPEC -
				FINISH BODY, TIN	APPLICATION SPEC -	CAGE CODE 00779
					WEIGHT -	DRAWING NO C-184261
					CUSTOMER DRAWING	SCALE 6:1 SHEET 1 OF 1 REV 0

AMP 1470-19 REV 09MAY94