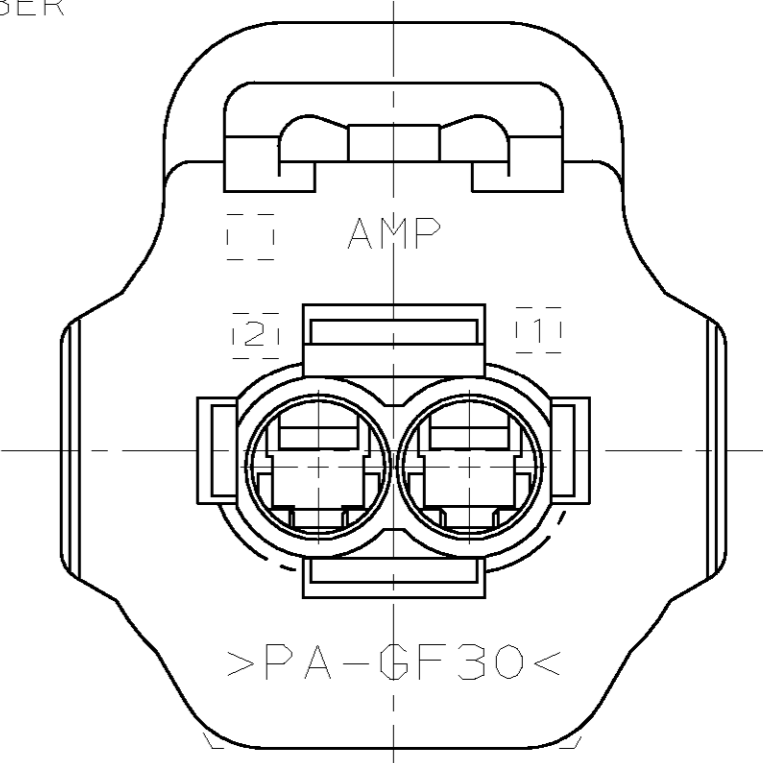
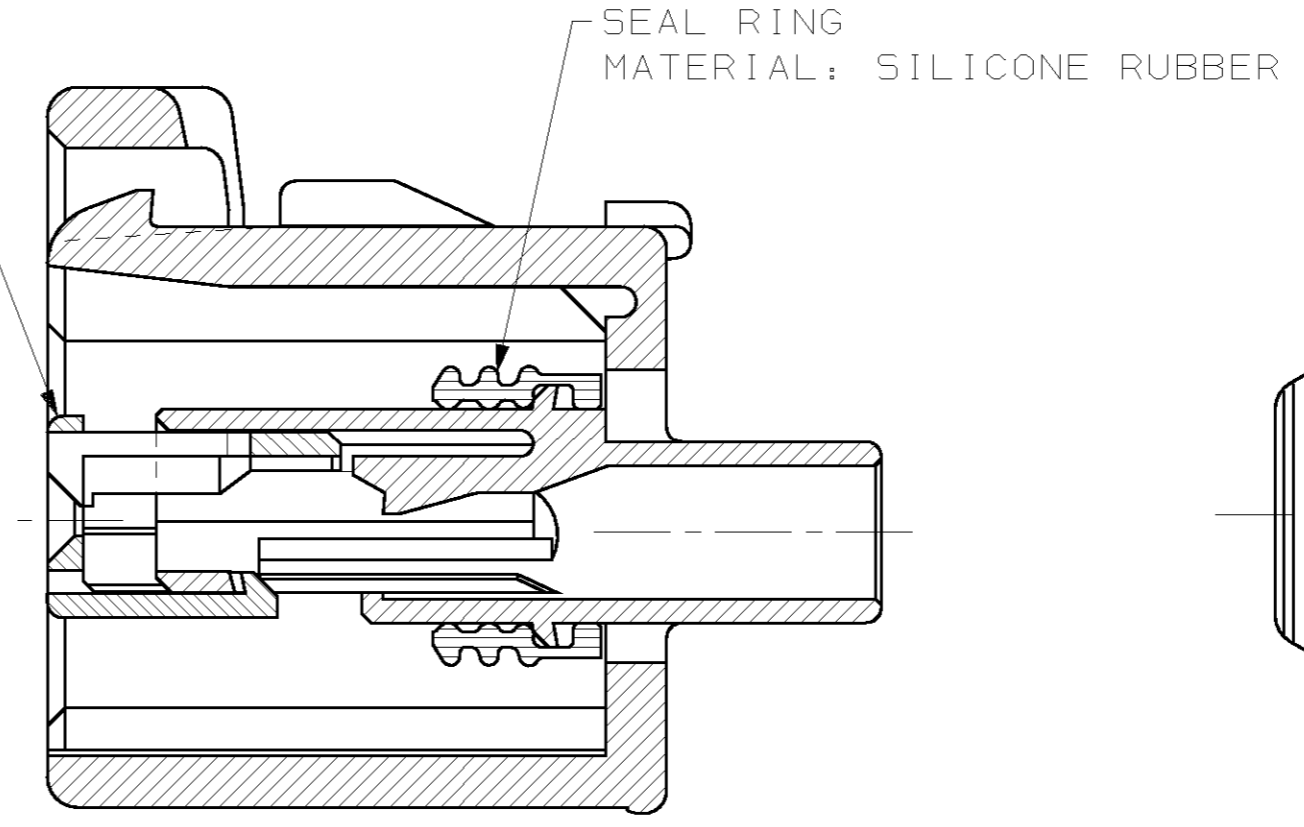
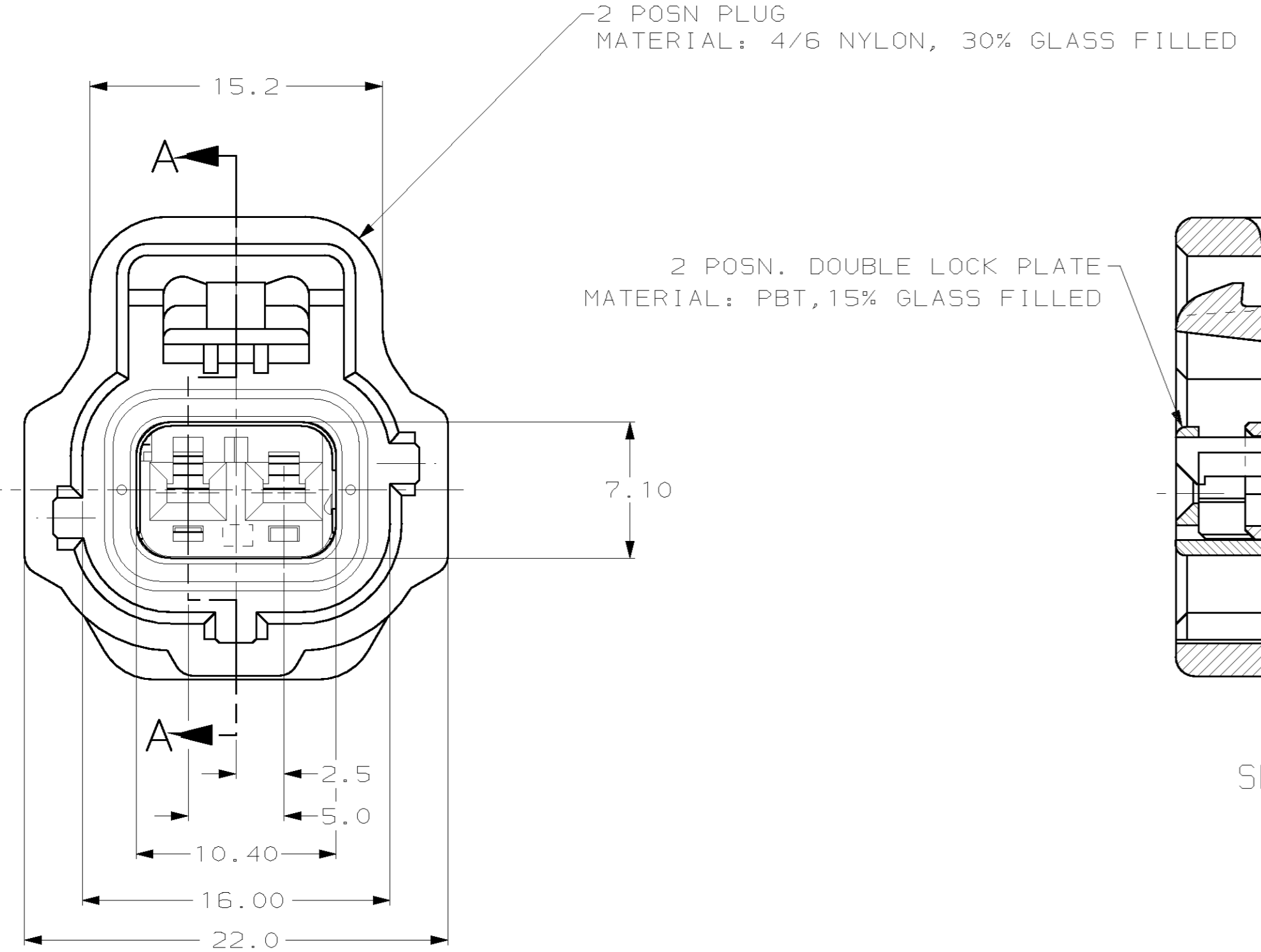
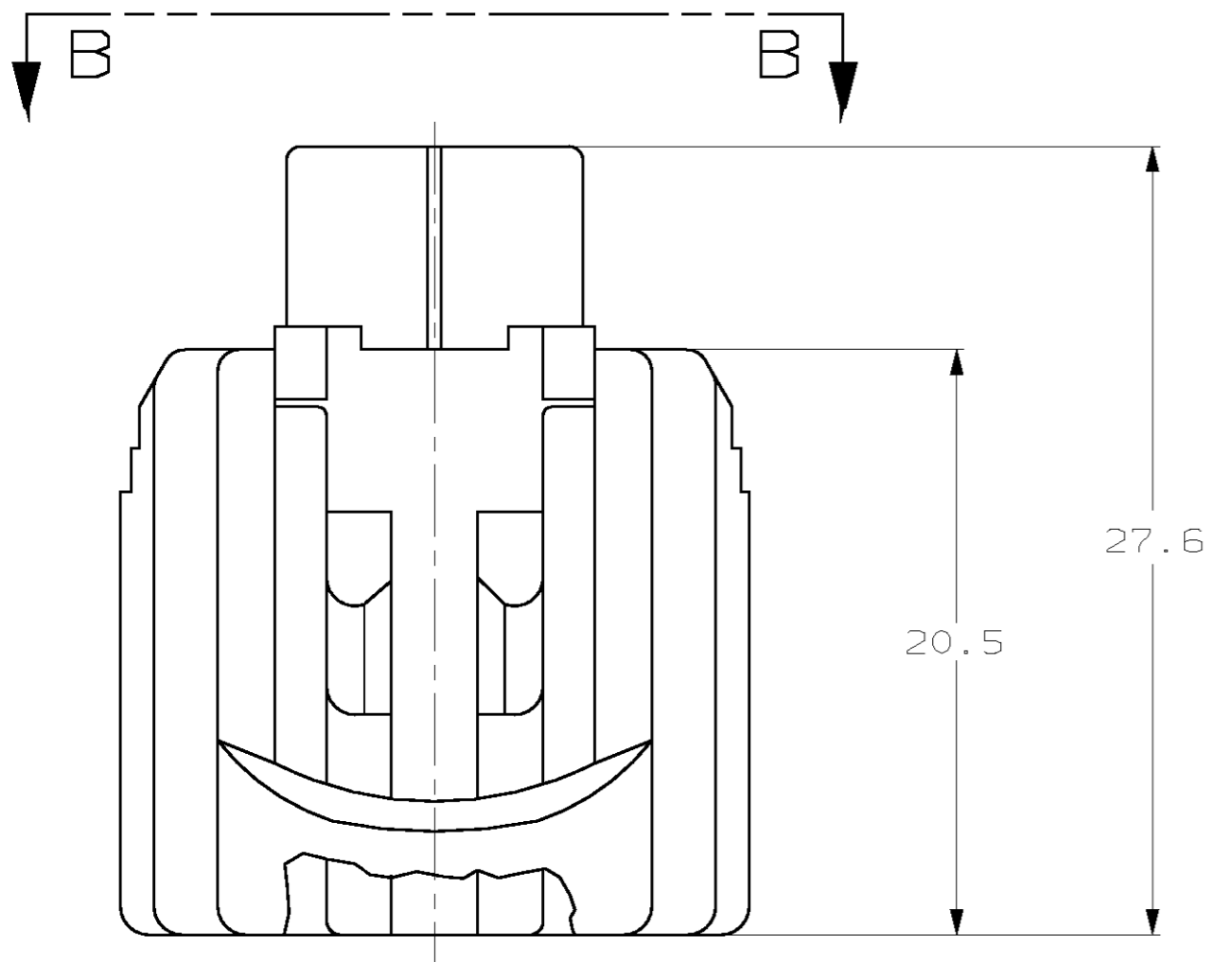


THIS DRAWING IS UNPUBLISHED. RELEASED FOR PUBLICATION .19  
 (C) COPYRIGHT 19 BY AMP INCORPORATED. ALL RIGHTS RESERVED.

| LOC |     | DIST        |      | REVISIONS                  |          |    |    |
|-----|-----|-------------|------|----------------------------|----------|----|----|
| P   | LTR | DESCRIPTION | DATE | DWN                        | APVD     |    |    |
| G   | 16  | 0           |      | RELEASED, WAS 95-4072-99-4 | -        | -  | -  |
|     |     | A           |      | REV PER ECN 0K50-0003-96   | 08/14/96 | KW | JK |
|     |     | B           |      | REV PER EC# 0K40-0140-00   | 7-10-00  | PC | GI |



SECTION A-A

VIEW B-B

KEYING TYPE D

THIS DRAWING IS A CONTROLLED DOCUMENT FOR AMP INCORPORATED. IT IS SUBJECT TO CHANGE AND THE CONTROLLING ENGINEERING ORGANIZATION SHOULD BE CONTACTED FOR THE LATEST REVISION.

|             |  |
|-------------|--|
| DIMENSIONS: | TOLERANCES UNLESS OTHERWISE SPECIFIED: |
| mm          | 0 PLC ± .30                            |
|             | 1 PLC ± 0.15                           |
|             | 2 PLC ± .                              |
|             | 3 PLC ± .                              |
|             | 4 PLC ± .                              |
|             | ANGLES ± 1°                            |
| MATERIAL    | FINISH                                 |

|                  |             |          |
|------------------|-------------|----------|
| DWN              | KD LYTLE    | 01/05/96 |
| CHK              | EJ OSWANDEL | 01/11/96 |
| APVD             | EJ OSWANDEL | 01/11/96 |
| PRODUCT SPEC     |             |          |
| APPLICATION SPEC |             |          |
| WEIGHT           |             |          |
| CUSTOMER DRAWING |             |          |

|  |           |
|--|-----------|
| BLACK  | 184218-1  |
| PLUG COLOR   | PART NO   |
| <b>AMP</b> AMP Incorporated<br>Harrisburg, PA 17105-3608 |           |
| 1 X 2 PLG ASY KEY D-C4                                   |           |
| SIZE   | CAGE CODE |
| A2   | 00779     |
| DRAWING NO   | C=184218  |
| SCALE  | SHEET     |
| 4:1  | 1 OF 1    |
| REV  | B         |

184218

B

A