

4

3

2

1

THIS DRAWING IS UNPUBLISHED.

RELEASED FOR PUBLICATION

,19

© COPYRIGHT 19

BY AMP INCORPORATED. ALL RIGHTS RESERVED.

LOC

DIST

REVISIONS

G

16

P

LTR

DESCRIPTION

DATE

DWN

APVD

0

INITIAL RELEASE

02/14/96

KW

JK

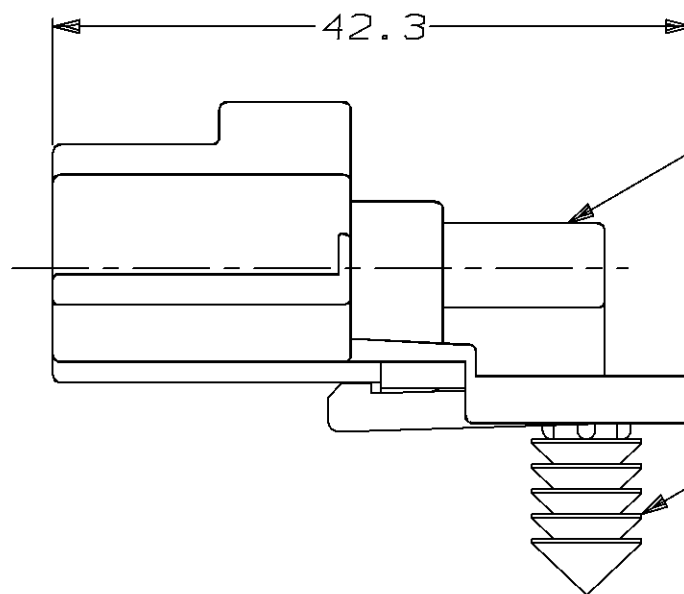
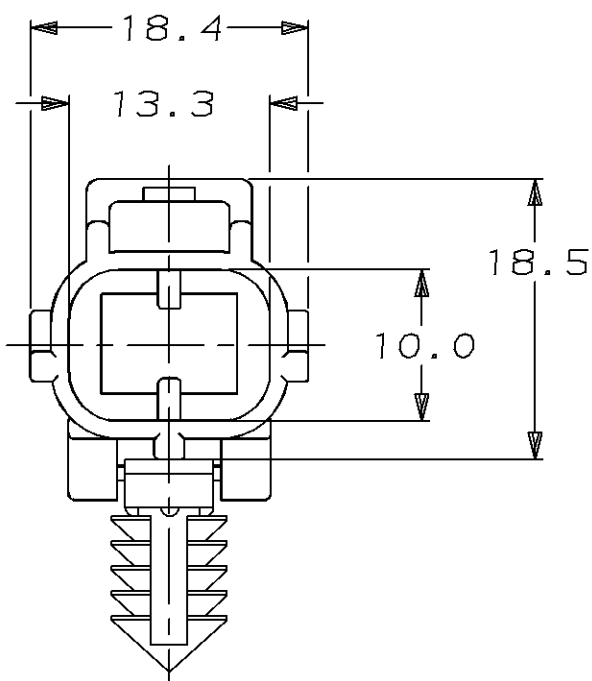
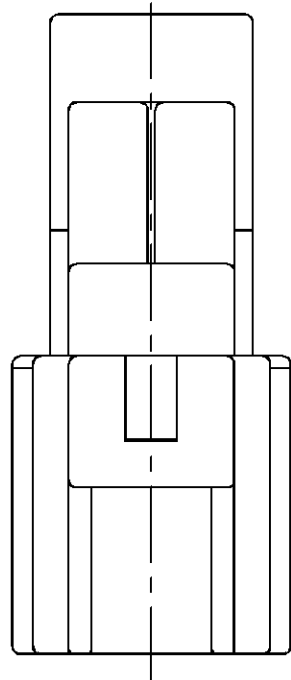
A

REV PER ECN #OKSO-0014-96

09/23/96

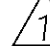
KW

JK



RETAINER CLIP TO SNAP INTO A 6.50 DIA HOLE IN MATERIAL WITH A THICKNESS OF 0.56-5.10.

2 POSN END CAP
MATL: PBT, 15% GLASS FILLED
FINISH: GRAY

RETAINER CLIP 
MATL: NYLON
FINISH: NATURAL

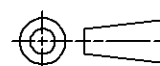
184177-1

PART NUMBER

THIS DRAWING IS A CONTROLLED DOCUMENT FOR AMP INCORPORATED. IT IS SUBJECT TO CHANGE AND THE CONTROLLING ENGINEERING ORGANIZATION SHOULD BE CONTACTED FOR THE LATEST REVISION.

DIMENSIONS:

mm



TOLERANCES UNLESS OTHERWISE SPECIFIED:

- 0 PLC ±-
- 1 PLC ±0.3
- 2 PLC ±-
- 3 PLC ±-
- 4 PLC ±-
- ANGLES ±-
- FINISH -

MATERIAL

DWN

K. WISE

02/14/96

CHK

J. KUNKLE

03/07/96

APVD

J. KUNKLE

03/07/96

PRODUCT SPEC

APPLICATION SPEC

WEIGHT

-

CUSTOMER DRAWING

NAME



AMP Incorporated
Harrisburg, PA 17105-3608

END CAP HSG ASSY, SSC, 2 POSN
B KEY

SIZE

CAGE CODE

DRAWING NO

A3

00779

C=184177

SCALE

2:1

SHEET

1 OF 1

REV

A