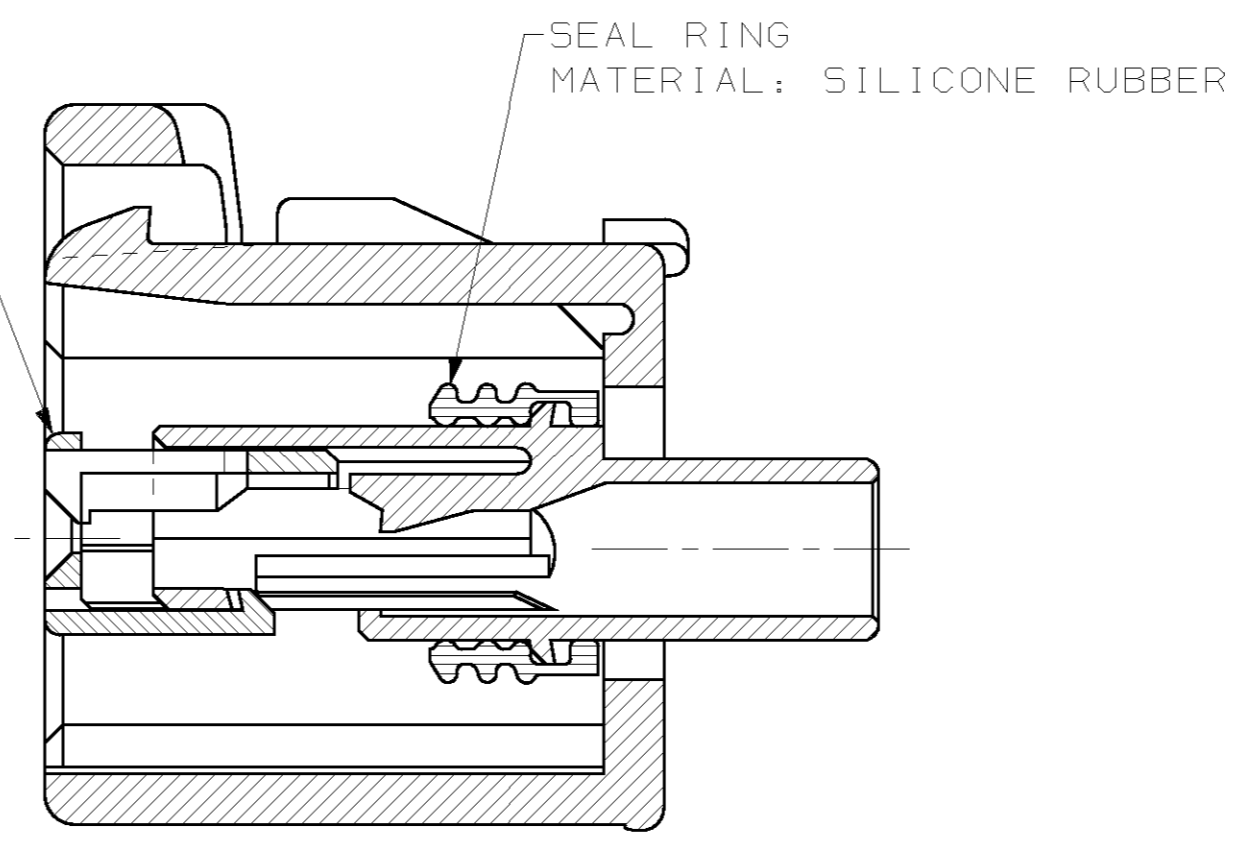
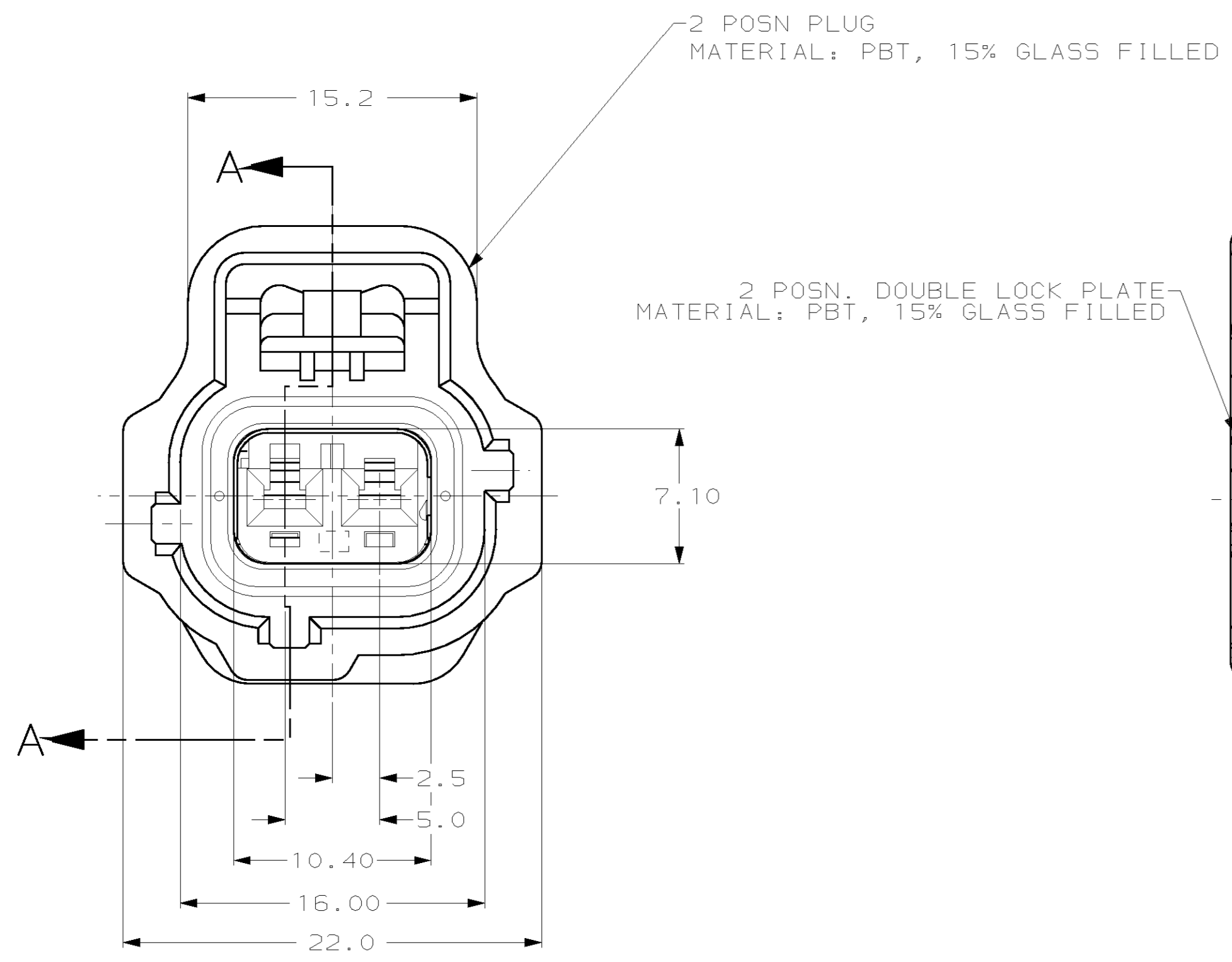
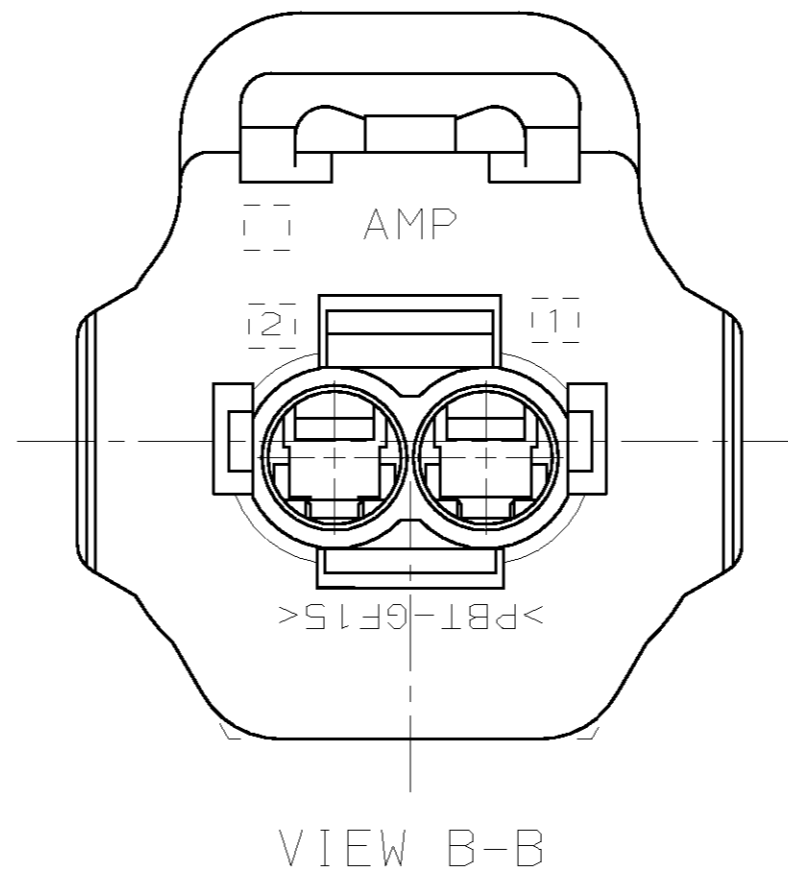
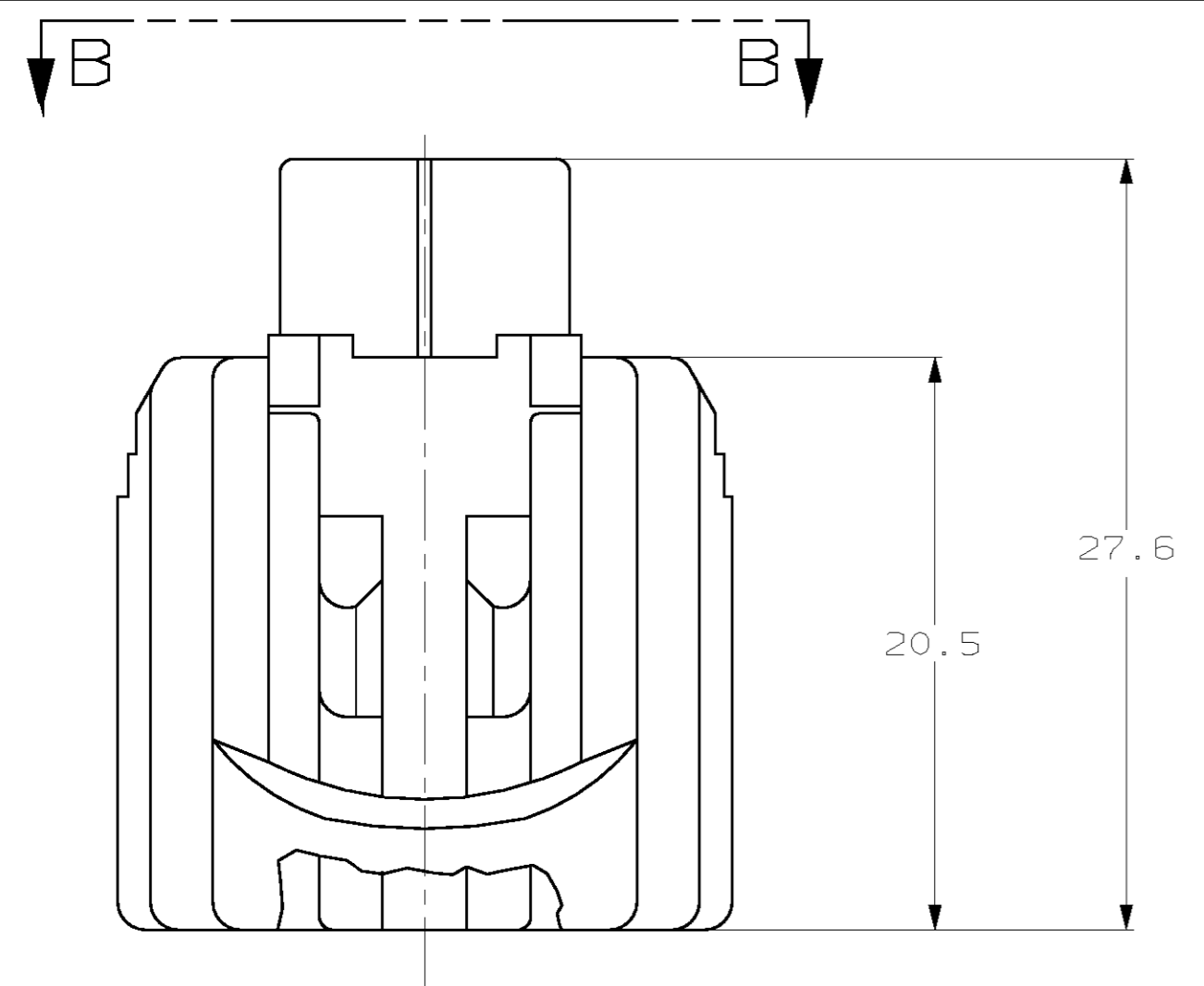


THIS DRAWING IS UNPUBLISHED. RELEASED FOR PUBLICATION .19
 (C) COPYRIGHT 19 BY AMP INCORPORATED. ALL RIGHTS RESERVED.

LOC	DIST	REVISIONS			
P	LTR	DESCRIPTION	DATE	DWN	APVD
G	16	0	RELEASED, WAS 92-4072-2313-10	-	-
		A	REV PER ECN 0720-0290-94	10/19/94	KDL JPK
		B	REV PER ECN 0720-0446-94	12/16/94	KW JK
		C	REV PER ECN 0K50-0003-96	08/13/96	KW JK
		D	REV PER EC# 0K40-0140-00	7-10-00	PC GI



SECTION A-A

KEYING TYPE K

THIS DRAWING IS A CONTROLLED DOCUMENT FOR AMP INCORPORATED. IT IS SUBJECT TO CHANGE AND THE CONTROLLING ENGINEERING ORGANIZATION SHOULD BE CONTACTED FOR THE LATEST REVISION.

DIMENSIONS:	TOLERANCES UNLESS OTHERWISE SPECIFIED:
mm	0 PLC ±-
	1 PLC ±0.30
	2 PLC ±0.15
	3 PLC ±-
	4 PLC ±-
	ANGLES ±1°
MATERIAL	FINISH
-	-

DWN	KD LYTLE	3/28/94
CHK	JP KUNKLE	4/19/94
APVD	-	-
PRODUCT SPEC	-	-
APPLICATION SPEC	-	-
WEIGHT	-	-
CUSTOMER DRAWING		

BLACK	184018-1
PLUG COLOR	PART NO
AMP AMP Incorporated Harrisburg, PA 17105-3608	
1 X 2 PLG ASY KEY K-C3	
SIZE	CAGE CODE
A2	00779
DRAWING NO	C-184018
SCALE	SHEET
4:1	1 OF 1
REV	D

184018