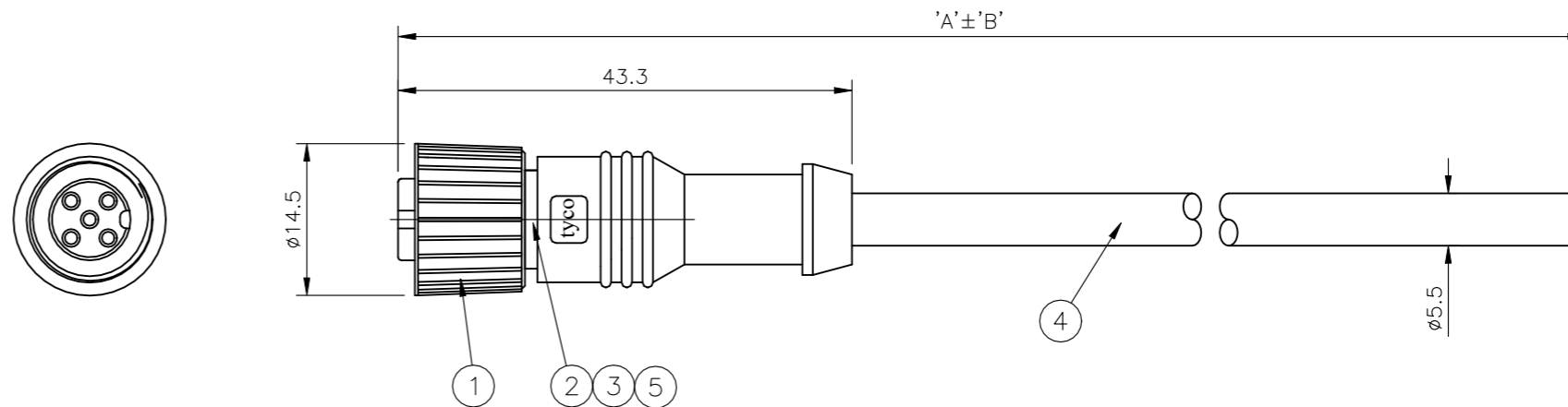
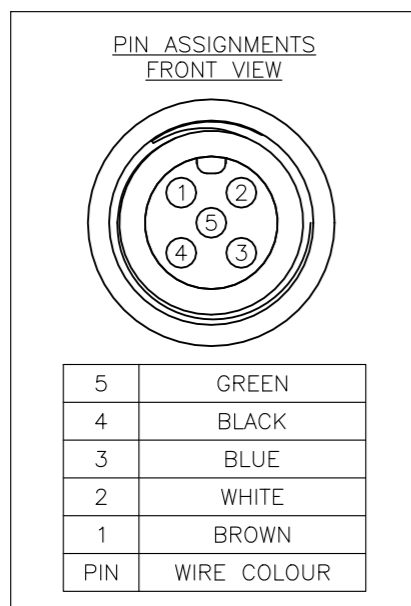


P	LTR	DESCRIPTION	DATE	DWN	APVD
	C3	ECR-22-148170	07MAY2024	BP	CW

NOTES:

- ELECTRICAL DATA: CONTACT RESISTANCE: 10 mOhm MAX
INSULATION RESISTANCE: 100 MOhm MIN at 500VDC
CURRENT RATING: 5 AMPS
BREAKDOWN VOLTAGE: 500 VAC MIN PER MINUTE
- ENVIRONMENTAL: OPERATING TEMPERATURE: -20°C TO +80°C
SEALING REQUIREMENTS: IP67
- PROD SPEC: 108-3641
- PACKAGING: 107-3334
- FOR TECHNICAL DATA REFER TO YOUR LOCAL TE CONNECTIVITY SALES OFFICE
- ALL DIMENSIONS ARE NOMINAL FOR REFERENCE ONLY UNLESS OTHERWISE STATED

ITEM	DESCRIPTION	MATERIAL	FINISH/COLOUR	QTY
1	SCREW NUT	ZINC DIE CAST	2.5µm NICKEL PLATED	1
2	CONNECTOR BODY	POLYURETHANE	BLACK	1
3	SOCKET CONTACT	BRASS	0.15µm GOLD PLATED OVER NICKEL	5
4	5 CORE CABLE (CORES 22AWG TO UL2464)	PVC JACKET UV RESISTANT	BLACK	1
5	'O' RING	VITON	GREEN	1



OBSOLETE

OBSOLETE	500	40 mm	M12 STRAIGHT FEMALE CONNECTOR 0.5m CABLE	1-1838246-1
OBSOLETE	10000	500 mm	M12 STRAIGHT FEMALE CONNECTOR 10.0m CABLE	1838246-5
OBSOLETE	7000	350 mm	M12 STRAIGHT FEMALE CONNECTOR 7.0m CABLE	1838246-4
OBSOLETE	5000	250 mm	M12 STRAIGHT FEMALE CONNECTOR 5.0m CABLE	1838246-3
OBSOLETE	3000	150 mm	M12 STRAIGHT FEMALE CONNECTOR 3.0m CABLE	1838246-2
OBSOLETE	2000	100 mm	M12 STRAIGHT FEMALE CONNECTOR 2.0m CABLE	1838246-1
	DIM A	TOL 'B'	DESCRIPTION	PART NUMBER

THIS DRAWING IS A CONTROLLED DOCUMENT.

DIMENSIONS: mm	TOLERANCES UNLESS OTHERWISE SPECIFIED: 0 PLC ± - 1 PLC ± - 2 PLC ± - 3 PLC ± - 4 PLC ± - ANGLES ± -	DWN H M RAGHAVENDRA 22AUG05 CHK F.WHEELER-KING 15DEC05 APVD F.WHEELER-KING 15DEC05	TE Connectivity	
MATERIAL	FINISH	PRODUCT SPEC	NAME M12 STRAIGHT FEMALE CONNECTOR 5 POSITION, PVC CABLE	
		APPLICATION SPEC	SIZE	RESTRICTED TO
		WEIGHT	CAGE CODE	
		CUSTOMER DRAWING	DRAWING NO	
			A3 00779	
			C-1838246	
		SCALE	SHEET	REV
		NTS	1 OF 1	C3