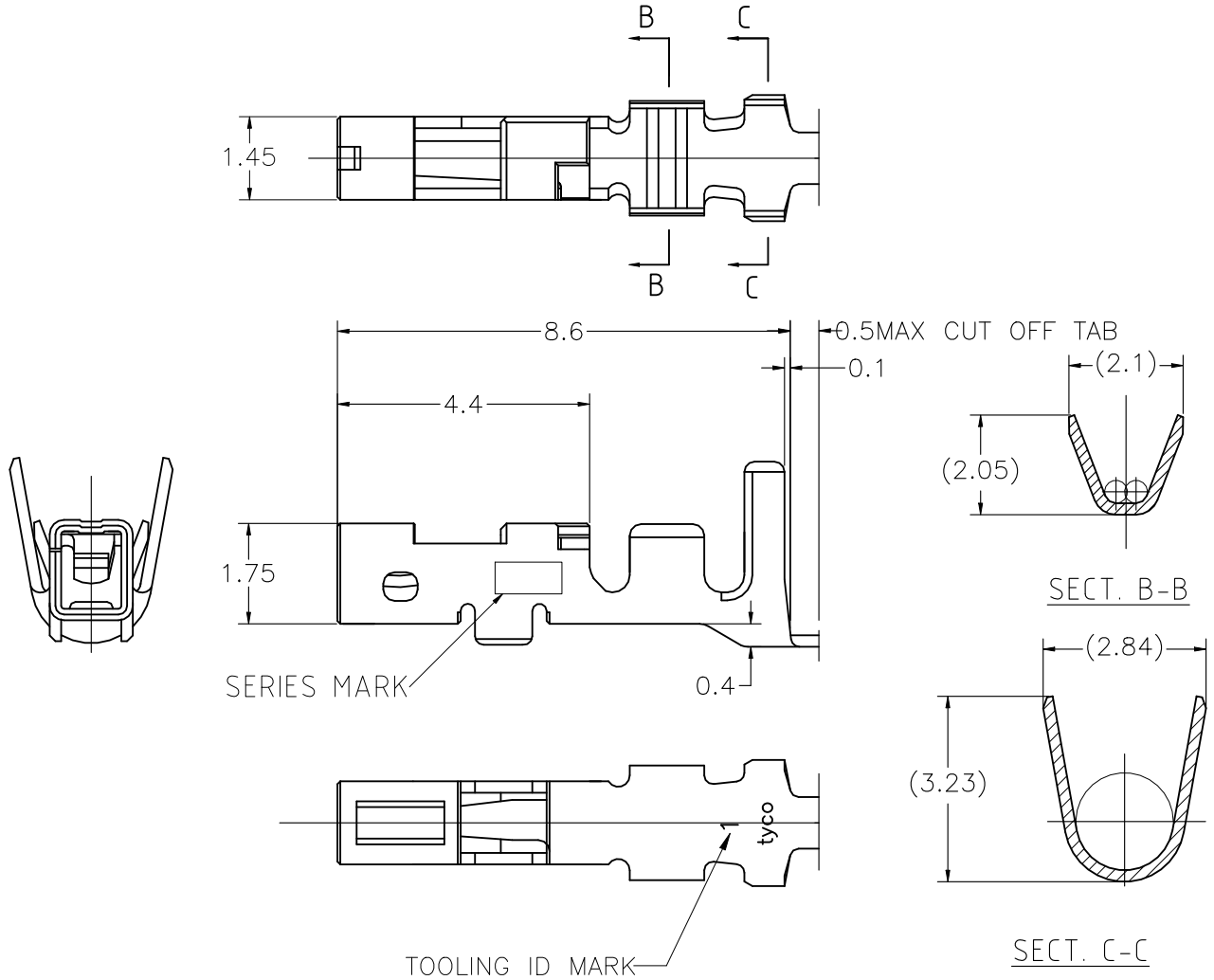


| | | | | | | | |
|-----|------|-----------|-----|---------------------------|-----------|-----|------|
| LOC | DIST | REVISIONS | | | DATE | DWN | APVD |
| J | - | P | LTR | 変更 DESCRIPTION | 16JUN2022 | RI | TS |
| | | | C | REVISED PER ECR-22-142637 | | | |



- 1. GENERAL TOLERANCE : $\pm 0.3, \pm 3^\circ$
- 2. APPLICATION REC-HSG IS APPLIED TO THE PRODUCT OF 2.5mm PITCH OR MORE OF DYNAMIC D1000SERIES. 2.0mm PITCH CANNOT BE USED.
- 3. OVER Ni PL : 1.27um MIN
Au PL (CONTACT AREA) : 0.38um MIN
- 4. OVER Ni PL : 1.27um MIN
Au PL (CONTACT AREA) : 0.2um MIN

| | |
|-------------|-------------------------|
| D 2L 4 | 1827589-4 $\triangle 4$ |
| D 2L | 1827589-2 $\triangle 3$ |
| SERIES MARK | PART NUMBER |

THIS DRAWING IS UNPUBLISHED. ALL RIGHTS RESERVED.

| | | | | | | |
|--|---------|------------------|--------------|------------------|----------------------------|--|
| DIMENSIONS: 単位: 耗 mm | DWN | T.KUDO | 23MAR2005 | MATERIAL | COPPER ALLOY | FINISH OVER Ni PL : 1.27um MIN 仕上 Au PL (CONTACT AREA) : 0.38um MIN |
| | CHK | D.MITSUGI | 23MAR2005 | TE Connectivity | | |
| TOLERANCES UNLESS OTHERWISE SPECIFIED: 一般公差 | APVD | D.MITSUGI | 23MAR2005 | | | |
| | 0 PLC | $\pm -$ | PRODUCT SPEC | 製品規格 | REC CONTACT (2L TYPE)(L/P) | |
| 1 PLC | $\pm -$ | APPLICATION SPEC | 取付適用規格 | SIZE | A4 | DRAWING NO |
| 2 PLC | $\pm -$ | | | CAGE CODE | 00779 | 番号 |
| 3 PLC | $\pm -$ | | | DRAWING NO | C-1827589 | RESTRICTED TO |
| 4 PLC | $\pm -$ | | | WEIGHT | - | - |
| ANGLES | $\pm -$ | | | CUSTOMER DRAWING | | |
| | | | | SCALE | 8:1 | SHEET |
| | | | | | | 1 OF 1 |
| | | | | | | REV |
| | | | | | | C |