
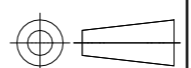


P	LTR	DESCRIPTION	DATE	DWN	APVD
-	-	SEE SHEET 1	-	-	-

FOR MANUFACTURING BY POLAND

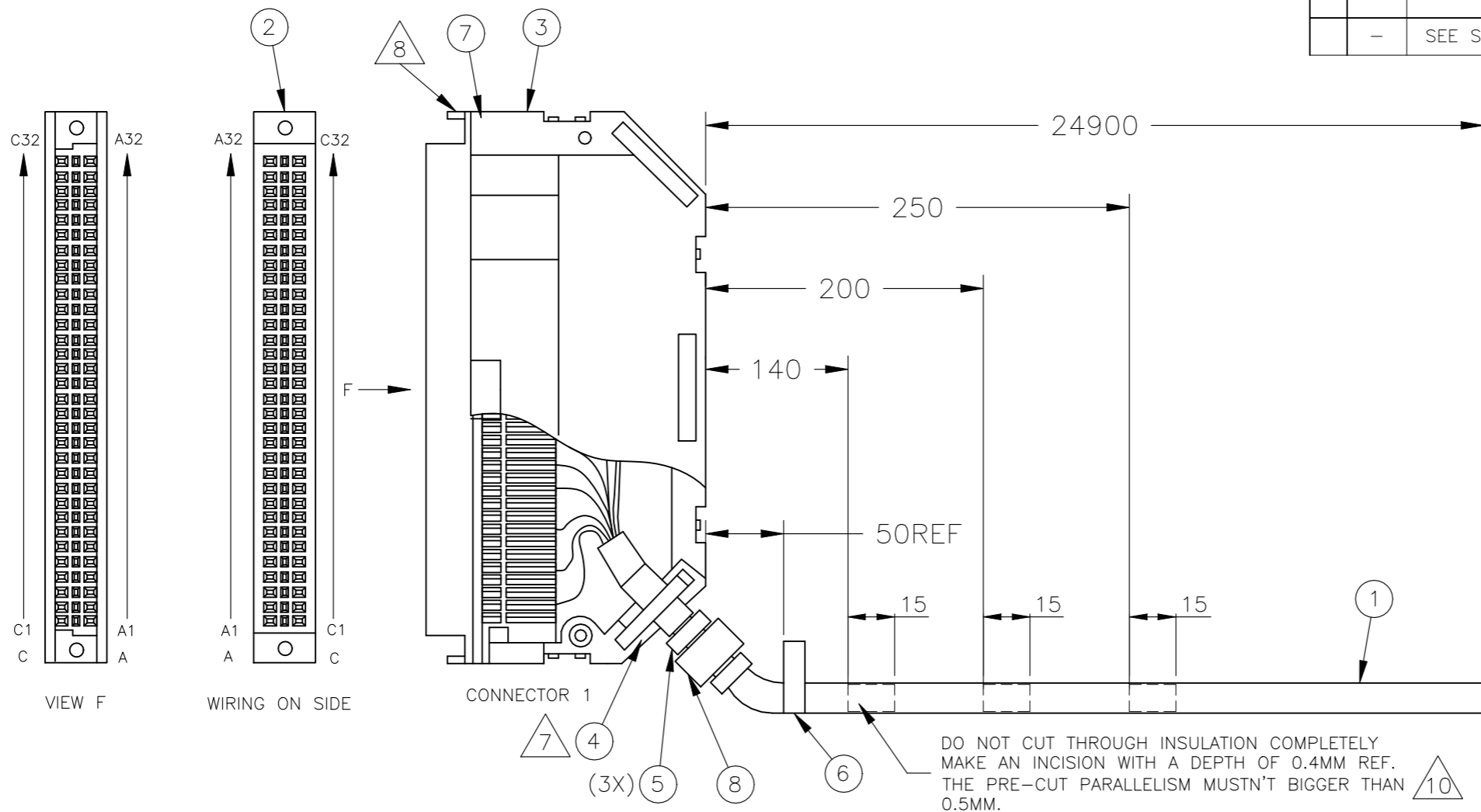
WIRE DIAGRAM

PAIR	POSITION	COLOUR	GROUP	PAIR	POSITION	COLOUR	GROUP
1	A32 C32	WHITE LIGHT BLUE	WHITE	17	A16 C16	YELLOW ORANGE	YELLOW
2	A31 C31	BLUE LIGHT BLUE		18	A15 C15	BROWN ORANGE	
3	A30 C30	YELLOW LIGHT BLUE		19	A14 C14	BLACK ORANGE	
4	A29 C29	BROWN LIGHT BLUE		20	A13 C13	RED ORANGE	
5	A28 C28	BLACK LIGHT BLUE		21	A12 C12	GREEN ORANGE	
6	A27 C27	RED LIGHT BLUE		22	A11 C11	WHITE VIOLET	
7	A26 C26	GREEN LIGHT BLUE		23	A10 C10	DARK BLUE VIOLET	
8	A25 C25	WHITE GRAY		24	A9 C9	YELLOW VIOLET	
9	A24 C24	DARK BLUE GRAY	BLUE	25	A8 C8	BROWN VIOLET	BROWN
10	A23 C23	YELLOW GRAY		26	A7 C7	BLACK VIOLET	
11	A22 C22	BROWN GRAY		27	A6 C6	RED VIOLET	
12	A21 C21	BLACK GRAY		28	A5 C5	GREEN VIOLET	
13	A20 C20	RED GRAY		29	A4 C4	LIGHT BLUE WHITE	
14	A19 C19	GREEN GRAY		30	A3 C3	GRAY WHITE	
15	A18 C18	WHITE ORANGE		31	A2 C2	ORANGE WHITE	
16	A17 C17	DARK BLUE ORANGE		32	A1 C1	VIOLET WHITE	

THIS DRAWING IS A CONTROLLED DOCUMENT.		DWN B.S.VISWESWARA 08MAR05	 TE Connectivity Ltd.	
		CHK A.V.ZANDVOORT 10MAR05		
DIMENSIONS: mm 		APVD R.SMEETS 10MAR05	NAME CABLE TYPE 1 64 PTS 32 PAIRES	
TOLERANCES UNLESS OTHERWISE SPECIFIED: 0 PLC ± - 1 PLC ± - 2 PLC ± - 3 PLC ± - 4 PLC ± - ANGLES ± -		PRODUCT SPEC -	-	
MATERIAL -		FINISH -	APPLICATION SPEC -	RESTRICTED TO -
		WEIGHT -	SIZE A3	CAGE CODE 00779
		DRAWING NO C-1820150		SCALE N.T.S.
		CUSTOMER DRAWING		SHEET 2 of 5
				REV H

REVISIONS					
P	LTR	DESCRIPTION	DATE	DWN	APVD
-	-	SEE SHEET 1	-	-	-

FOR MANUFACTURING BY CHINA



DO NOT CUT THROUGH INSULATION COMPLETELY. MAKE AN INCISION WITH A DEPTH OF 0.4MM REF. THE PRE-CUT PARALLELISM MUSTN'T BIGGER THAN 0.5MM.

NOTES:

1. APPLICATION SPECIFICATION: 114-18069.
2. TEXT ON LABEL: AS PER SPECIFICATION: 118-19342.
3. TEST ASSEMBLY ON SHORT CIRCUIT, CONTINUITY, TO WIRE DIAGRAM AND HIPOT 500V DURING 15MS ON THE CABLE WIRES.
4. WRAP LABEL (ITEM 6) AROUND THE CABLE AS SHOWN AFTER CABLE PASSED THE TEST.
5. PRINT THE ALU P/N ON THE PACKAGING LABEL.
6. TOLERANCE ON LENGTH: ±20MM UP TO 0.95M; ±3% FROM 1.0M.
7. THE LENGTH OF HST (ITEM 4) IS ABOUT 30MM.
8. REMOVE THE 4 CLAMPS OF COVER ITEM 3.
9. PACKING REQUEST SHOULD REFER TO PAGE 3.
10. A MARK ON THE CABLE IS ENOUGH BUT IT IS NOT ALLOWED TO CUT THROUGH THE INSULATION.

3BA58038UB	3BA58038UBAA 01	CABLE TY1 64PTS DIN-25M 32 D04	7-1820150-2
3BA58038AB	3BA58038ABAA 01	CABLE TY1 64PTS DIN-25M 32 D04	7-1820150-1
ALCATEL CODE:		ALCATEL CODE + REV:	DESCRIPTION:
1	1	PC	FERRITE CORE, FERRICO: K3 RH 26.0*28.5*13.0
2	2	PC	RVS SCREW 2.2*9.5
1	1	PC	FLAG LABEL WITH LOGO
3	3	PC	CABLE TIE, L: 100MM, COLOR: BLACK
AR	AR	MR	ADHESIVE HEAT SHRINK TUBE, ID: 12.0MM, COLOR: BLACK
1	1	PC	RV100 INTERCONNECTION
1	1	PC	64P.MT CONN.KIT ASS
AR	-	MR	32x2x0.4MM SHIELDED
-	1	PC	CABLE-MULTICORE-32x2x0.4MM SHIELDED
7-2	7-1	U/M	DESCRIPTION
			ITEM

PRODUCT AND PROCESSING MUST MEET REQUIREMENTS OF TE CONNECTIVITY ENVIRONMENTAL STANDARD TEC-138-702

THIS DRAWING IS A CONTROLLED DOCUMENT.

DIMENSIONS:	TOLERANCES UNLESS OTHERWISE SPECIFIED:
mm	
0 PLC	± -
1 PLC	± -
2 PLC	± -
3 PLC	± -
4 PLC	± -
ANGLES	± -
FINISH	

DWN	B.S.VISWESWARA	08MAR05	STE TE Connectivity Ltd.
CHK	A.V.ZANDVOORT	10MAR05	
APVD	R.SMEETS	10MAR05	
NAME			CABLE TYPE 1 64 PTS 32 PAIRES
PRODUCT SPEC			-
APPLICATION SPEC			-
SIZE	CAGE CODE	DRAWING NO	RESTRICTED TO
A3	00779	C-1820150	-
CUSTOMER DRAWING			SCALE N.T.S. SHEET 3 of 5 REV H

P	LTR	DESCRIPTION	DATE	DWN	APVD
-		SEE SHEET 1	-	-	-

WIRE DIAGRAM

FOR MANUFACTURING BY CHINA

PAIR	POSITION	COLOUR	GROUP	PAIR	POSITION	COLOUR	GROUP
1	A32 C32	WHITE LIGHT BLUE	WHITE	17	A16 C16	YELLOW ORANGE	YELLOW
2	A31 C31	BLUE LIGHT BLUE		18	A15 C15	BROWN ORANGE	
3	A30 C30	YELLOW LIGHT BLUE		19	A14 C14	BLACK ORANGE	
4	A29 C29	BROWN LIGHT BLUE		20	A13 C13	RED ORANGE	
5	A28 C28	BLACK LIGHT BLUE		21	A12 C12	GREEN ORANGE	
6	A27 C27	RED LIGHT BLUE		22	A11 C11	WHITE VIOLET	
7	A26 C26	GREEN LIGHT BLUE		23	A10 C10	DARK BLUE VIOLET	
8	A25 C25	WHITE GRAY		24	A9 C9	YELLOW VIOLET	
9	A24 C24	DARK BLUE GRAY	BLUE	25	A8 C8	BROWN VIOLET	BROW
10	A23 C23	YELLOW GRAY		26	A7 C7	BLACK VIOLET	
11	A22 C22	BROWN GRAY		27	A6 C6	RED VIOLET	
12	A21 C21	BLACK GRAY		28	A5 C5	GREEN VIOLET	
13	A20 C20	RED GRAY		29	A4 C4	LIGHT BLUE WHITE	
14	A19 C19	GREEN GRAY		30	A3 C3	GRAY WHITE	
15	A18 C18	WHITE ORANGE		31	A2 C2	ORANGE WHITE	
16	A17 C17	DARK BLUE ORANGE		32	A1 C1	VIOLET WHITE	

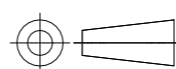
THIS DRAWING IS A CONTROLLED DOCUMENT.

DWN	08MAR05
B.S.VISWESWARA	
CHK	10MAR05
A.V.ZANDVOORT	
APVD	10MAR05
R.SMEETS	

STE TE Connectivity Ltd.

DIMENSIONS:
mm

TOLERANCES UNLESS OTHERWISE SPECIFIED:



0 PLC	± -
1 PLC	± -
2 PLC	± -
3 PLC	± -
4 PLC	± -
ANGLES	± -
FINISH	-

MATERIAL

-

PRODUCT SPEC

APPLICATION SPEC

WEIGHT

-

NAME

CABLE TYPE 1 64 PTS 32 PAIRES

SIZE

CAGE CODE

DRAWING NO

RESTRICTED TO

A3 00779

C-1820150

CUSTOMER DRAWING

SCALE N.T.S

SHEET 4 OF 5

REV H

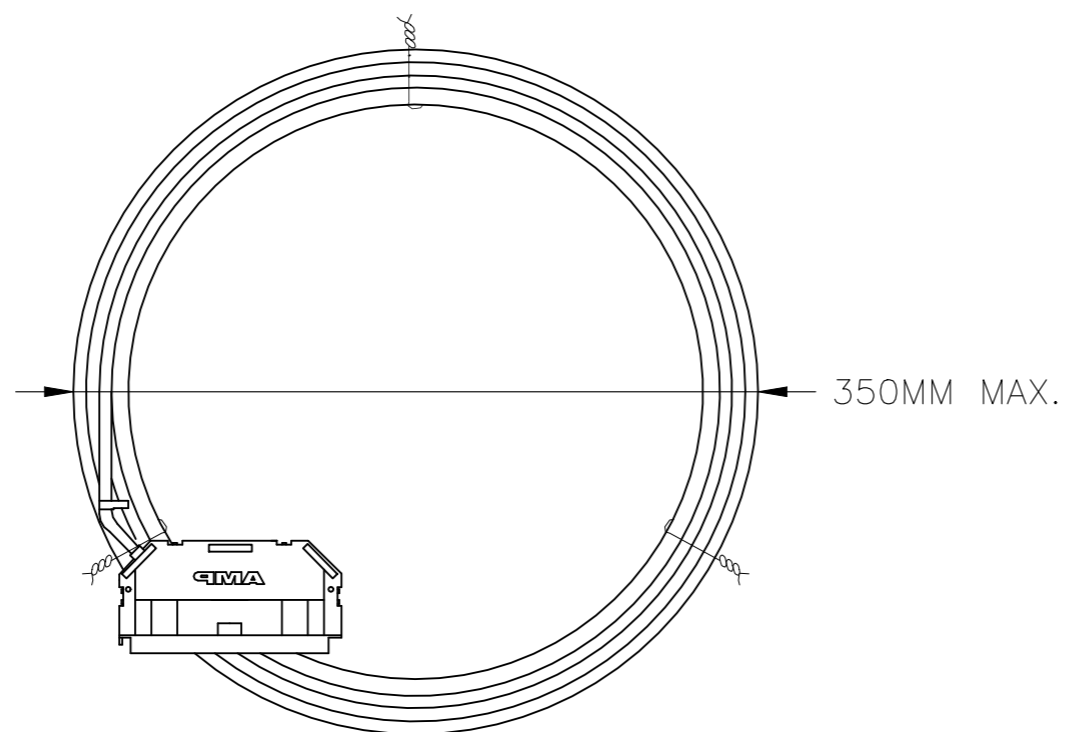
REVISIONS

P	LTR	DESCRIPTION	DATE	DWN	APVD
-	-	SEE SHEET 1	-	-	-


FOR MANUFACTURING BY CHINA

PACKING REQUEST:

1. TIE THE COIL IN THREE PLACES TO DON'T LET CONNECTORS AND FERRITE MOVE. CONNECTORS HAVE TO BE PLACED ON INNER PART OF COIL (MAX COIL'S OUTER DIAMETER 350MM).



2. ANY OTHER DETAIL REFER TO ALCATEL: INDUS_CABLE_SPEC_TE_08.

THIS DRAWING IS A CONTROLLED DOCUMENT.		DWN B.S.VISWESWARA 08MAR05	 TE Connectivity Ltd.														
DIMENSIONS: mm		CHK A.V.ZANDVOORT 10MAR05															
TOLERANCES UNLESS OTHERWISE SPECIFIED:		APVD R.SMEETS 10MAR05	NAME CABLE TYPE 1 64 PTS 32 PAIRES														
<table border="1"> <tr> <td>0 PLC</td> <td>± -</td> </tr> <tr> <td>1 PLC</td> <td>± -</td> </tr> <tr> <td>2 PLC</td> <td>± -</td> </tr> <tr> <td>3 PLC</td> <td>± -</td> </tr> <tr> <td>4 PLC</td> <td>± -</td> </tr> <tr> <td>ANGLES</td> <td>± -</td> </tr> </table>		0 PLC	± -	1 PLC	± -	2 PLC	± -	3 PLC	± -	4 PLC	± -	ANGLES	± -	PRODUCT SPEC -	-		
0 PLC	± -																
1 PLC	± -																
2 PLC	± -																
3 PLC	± -																
4 PLC	± -																
ANGLES	± -																
MATERIAL -		FINISH -	APPLICATION SPEC -	SIZE A3	CAGE CODE 00779	DRAWING NO C-1820150	RESTRICTED TO -										
CUSTOMER DRAWING			WEIGHT -	SCALE N.T.S	SHEET 5 of 5	REV H											