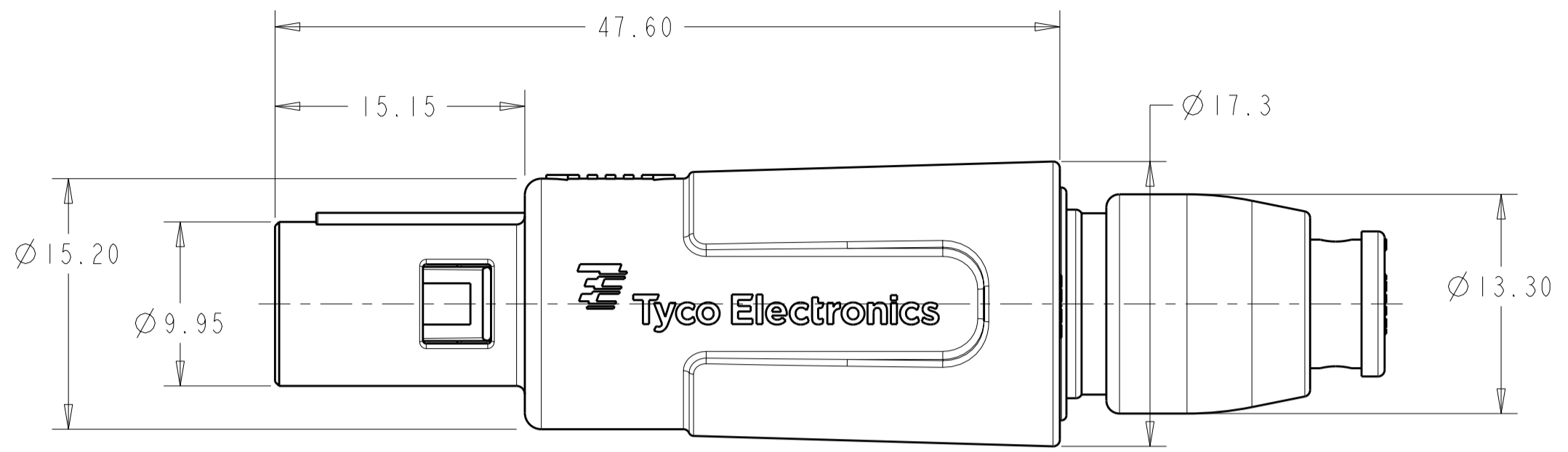
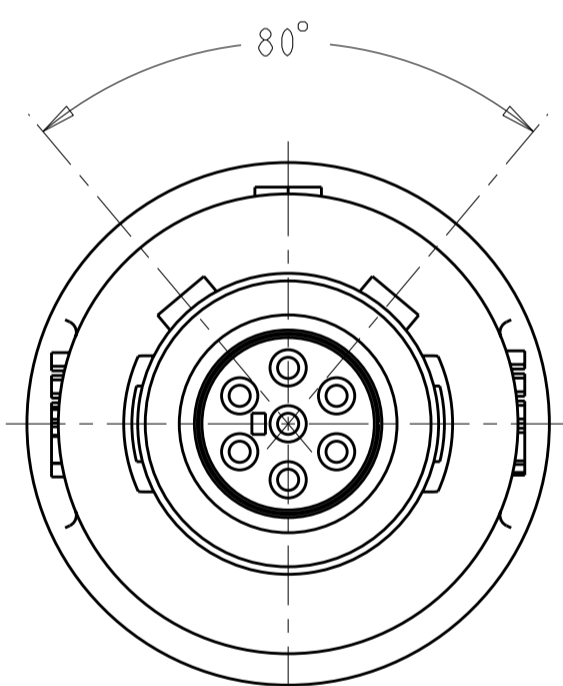
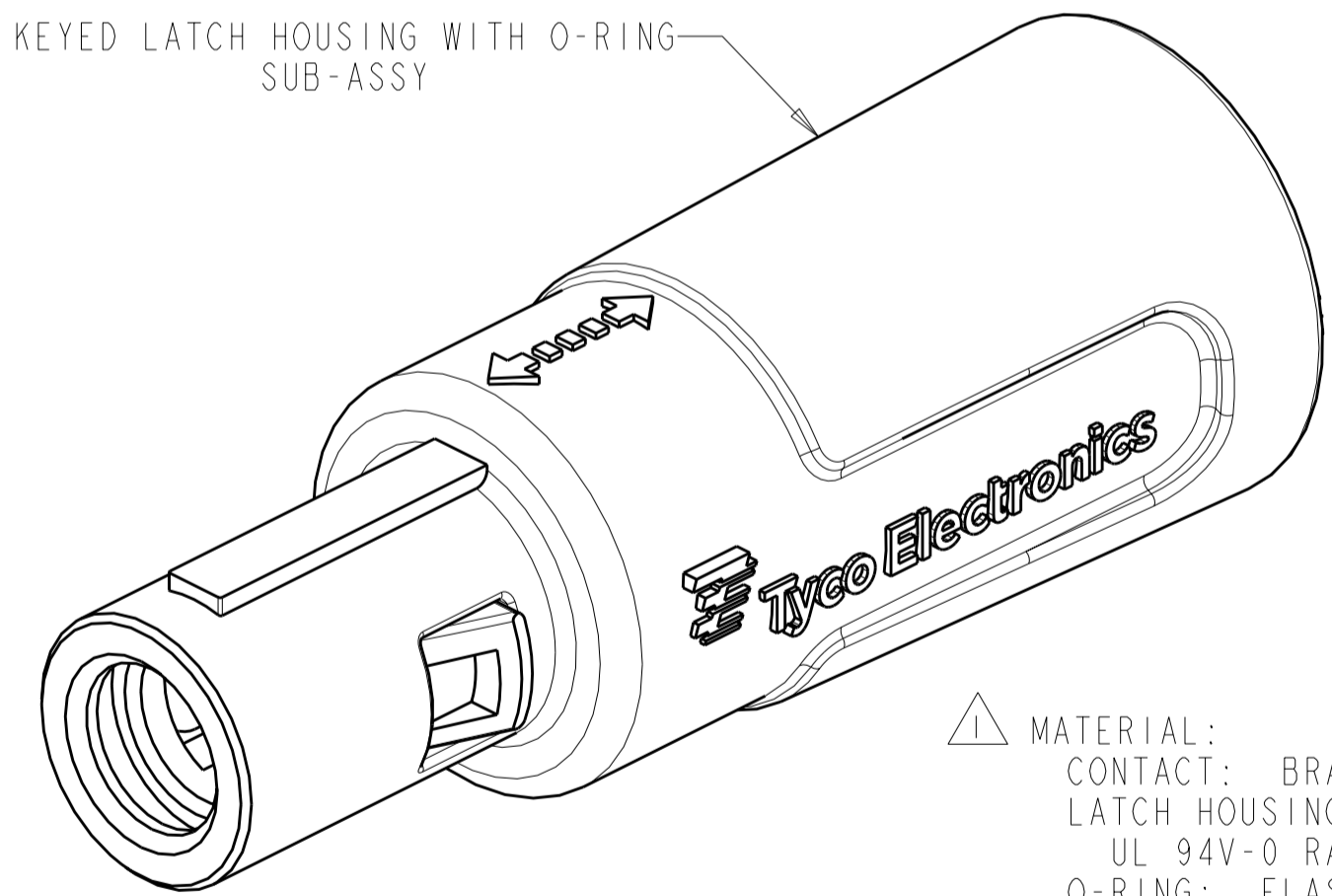
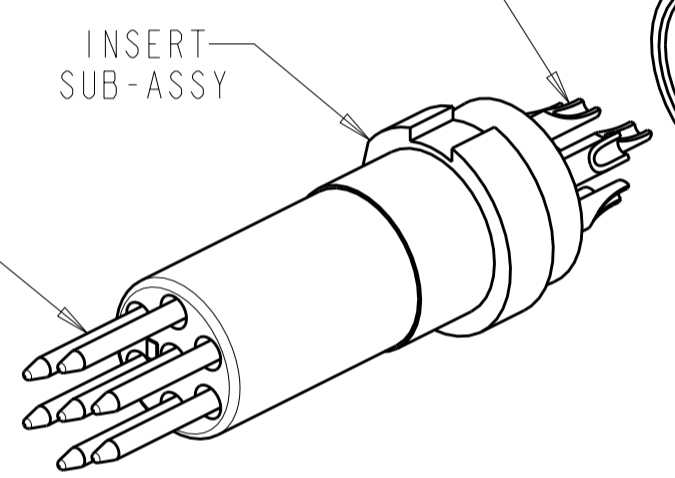
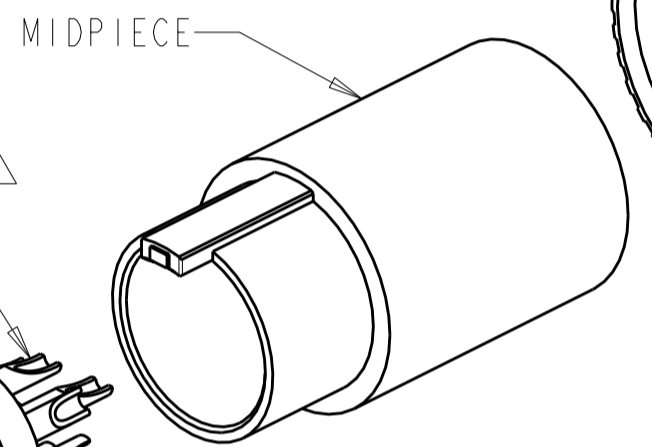
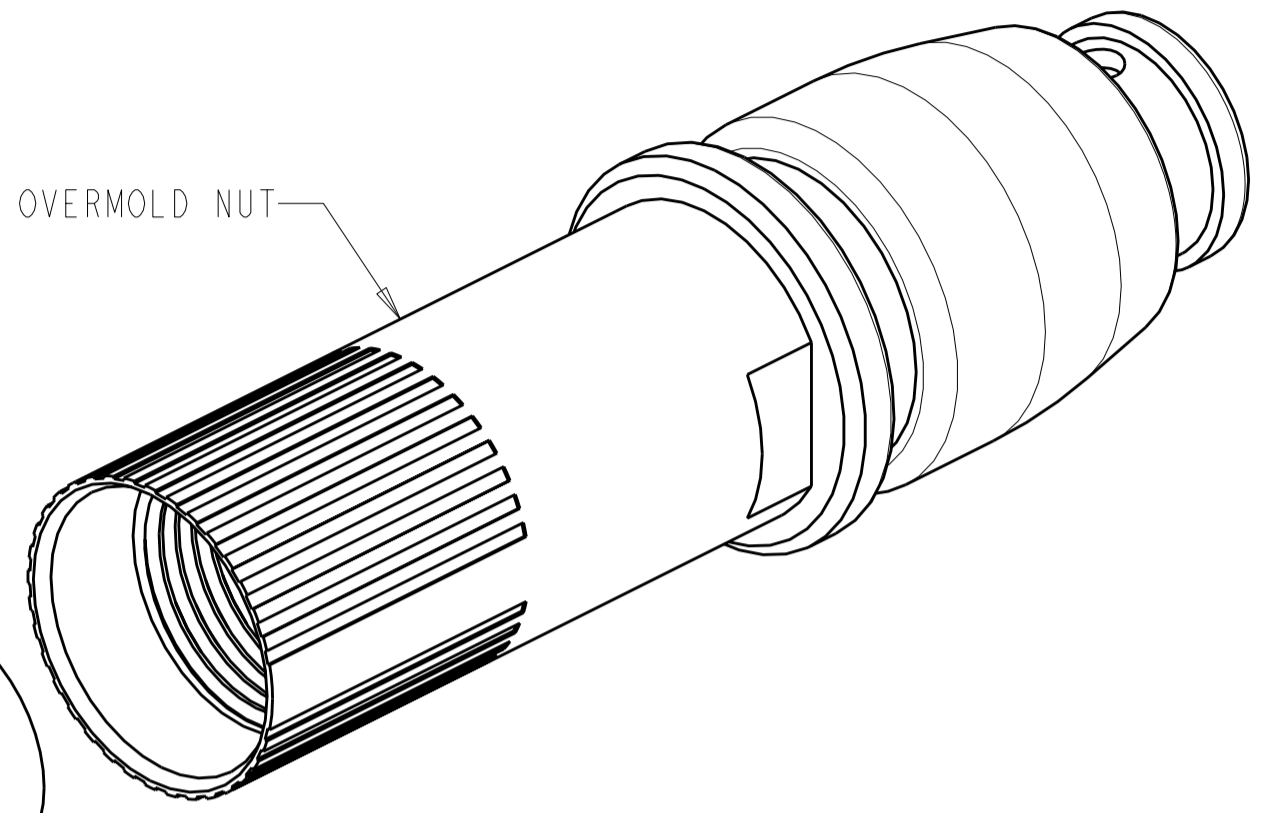


THIS DRAWING IS UNPUBLISHED. RELEASED FOR PUBLICATION 20
 © COPYRIGHT 20 BY TYCO ELECTRONICS CORPORATION. ALL RIGHTS RESERVED.

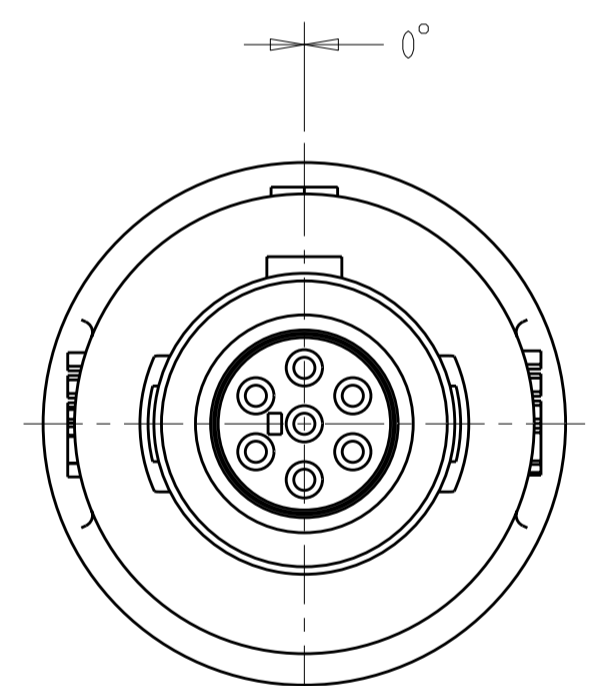
LOC		DIST		REVISIONS			
P	LTR	DESCRIPTION	DATE	DWN	APVD		
	B2	REVISED PER ECO-08-022187	06SEP2008	HMR	DR		



SCALE 3:1



80° KEYING
SCALE 4:1



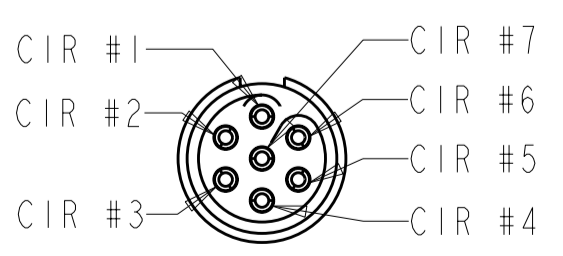
0° KEYING
SCALE 4:1

- 1 MATERIAL:
CONTACT: BRASS
LATCH HOUSING, INSERT, MIDPIECE, NUT:
UL 94V-0 RATED THERMOPLASTIC
O-RING: ELASTOMER
COLOR:
MIDPIECE AND INSERT: GRAY
LATCH HOUSING AND OVERMOLD NUT: SEE TABLE
O-RING: BLACK

- 2 FINISH:
CONTACT, 0.75µm MIN. GOLD OVER NICKEL

- 3 SOLDER TERMINATION CONTACT, 26 AWG WIRE MAX.

4. PRODUCT IS SUPPLIED UNASSEMBLED



INSERT SUB-ASSY
CIRCUIT DESIGNATION VIEW

GRAY	80°	1811798-4
GRAY	0°	1811798-3
BLACK	80°	1811798-2
BLACK	0°	1811798-1
LATCH HOUSING AND NUT COLOR	KEYING	PART NO.

<small>THIS DRAWING IS A CONTROLLED DOCUMENT FOR TYCO ELECTRONICS CORPORATION. IT IS SUBJECT TO CHANGE AND THE CONTROLLING ENGINEERING ORGANIZATION SHOULD BE CONTACTED FOR THE LATEST REVISION.</small>		DWN: 18 JUL 2005 R.L. KOLLER CHK: 21 JUL 2005 L. BREKOSKY APVD: -	Tyco Electronics Harrisburg, PA 17105-3608
DIMENSIONS: mm 	TOLERANCES UNLESS OTHERWISE SPECIFIED: 0 PLC ±- 1 PLC ±0.13 2 PLC ±0.08 3 PLC ±- 4 PLC ±- ANGLES ±1° FINISH	PRODUCT SPEC: 108-2249 APPLICATION SPEC: 114-13184 WEIGHT: -	NAME: 7 POSITION OVERMOLD CABLE NUT STRAIGHT PLUG ASSEMBLY SIZE: A2 CAGE CODE: 00779 DRAWING NO: 1811798 RESTRICTED TO: -
MATERIAL: 1 -		CUSTOMER DRAWING SCALE: 4:1 SHEET 1 OF 1 REV: B2	