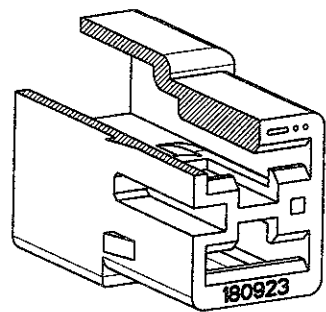
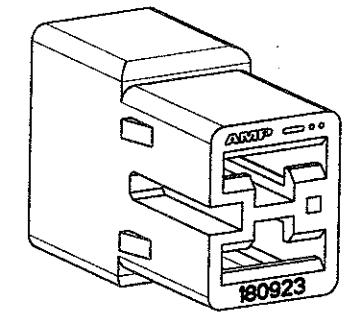
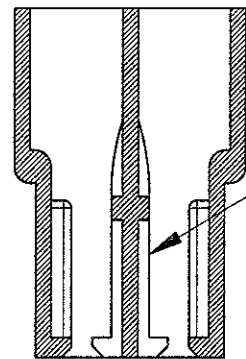


P	LTR	DESCRIPTION	DATE	DWN	APVD
		AG4 REVISED PER ECO-11-005140	01APR11	RK	HMR



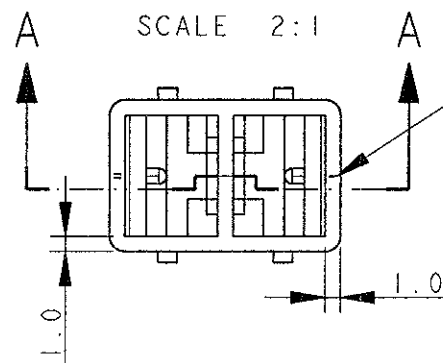
SECTION A-A



TIPICA CAVITA' PER TERMINALE TE AMP
FASTIN-FASTON SR. 6.35 mm
(TYPICAL CAVITY FOR TE AMP
FASTIN-FASTON .250" SR.)

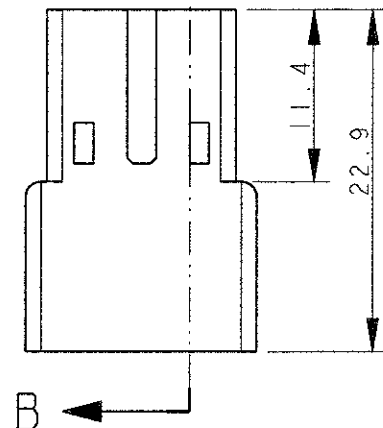
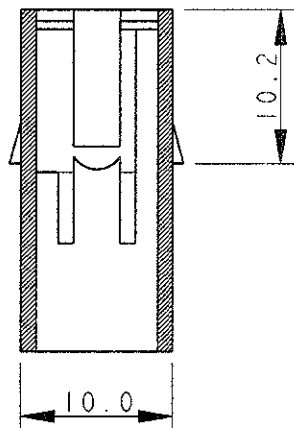
- 1 RISERVATO PER TE AMP GERMANY
(RESTRICTED FOR TE AMP GERMANY)
- 2 RISERVATO PER TE AMP DE FRANCE
(RESTRICTED FOR TE AMP DE FRANCE)
- 3 FOR FOREIGN PRODUCTION ONLY
- 4 NON DISPONIBILE DA TE AMP ITALIA
(NO MORRE AVAILABLE FROM TE AMP ITALIA)
- 5 OBSOLETE PARTS: OBSOLETE CIS STREAMLINING PER D.RENAUD/D.SINISI

SCALE 2:1



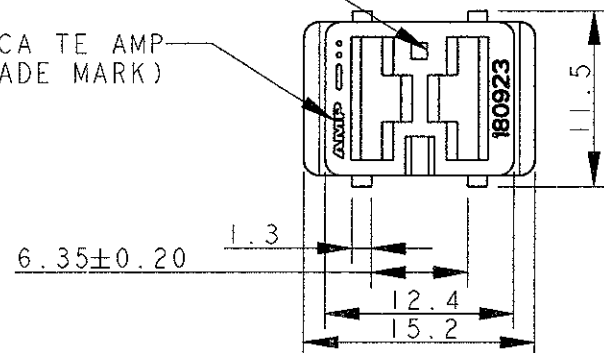
CIRCUIT IDENTIFICATION

SECTION B-B



NUMERO DI IMPRONTA STAMPO
(MOULD CAVITY IDENTIFICATION NO.)

MARCHIO DI FABBRICA TE AMP
(TE AMP TRADE MARK)



5	OBSOLETE	3	4	COLORE (COLOUR)	MATERIALE (MATERIAL)	NUMERO (P/N)	REV	
				NATURALE (NATURAL)	PA 6.6 (PA 6.6 UNFILLED)	9-180923-0	AG	
				NATURALE (NATURAL)	PA 6.6 UL 94 V-0 (PA 6.6 UNFILLED UL 94 V-0)	4-180923-0	AG	
				NATURALE (NATURAL)	PA 6.6 (PA 6.6 UNFILLED)	3-180923-0	AG	
				NATURALE (NATURAL)	ZYTEL E103 HSLC	2-180923-0	AG	
				ARANCIO (ORANGE)	PA 6.6 (PA 6.6 UNFILLED)	0-180923-9	AG	
				VIOLETTO (VIOLET)		0-180923-8	AG	
				NERO (BLACK)		0-180923-5	AG	
				GIALLO (YELLOW)		0-180923-4	AG	
				BLU (BLUE)		0-180923-3	AG	
				VERDE (GREEN)		0-180923-2	AG	
				ROSSO (RED)		0-180923-1	AG	
				NATURALE (NATURAL)		0-180923-0	AG	
				NOTE				

DIMENSIONS: mm 		TOLERANCES UNLESS OTHERWISE SPECIFIED: 0 PLC ±- 1 PLC ±0.3 2 PLC ±- 3 PLC ±- 4 PLC ±- ANGLES ±2° FINISH SEE TABLE		DWN H. YAALI 31 JUL 2002 CHK C. TARTARI APVD - PRODUCT SPEC 108-20020 APPLICATION SPEC - WEIGHT 1.5 g		TE Connectivity NAME FASTIN-FASTON™ Connector, .250" srs. RECEPTACLE HOUSING 2 POSITIONS SIZE A3 CAGE CODE 00779 DRAWING NO. C-180923 RESTRICTED TO -	
MATERIAL SEE TABLE		FINISH SEE TABLE		CUSTOMER DRAWING		SCALE 2:1 SHEET 1 OF 1 REV AG4	