

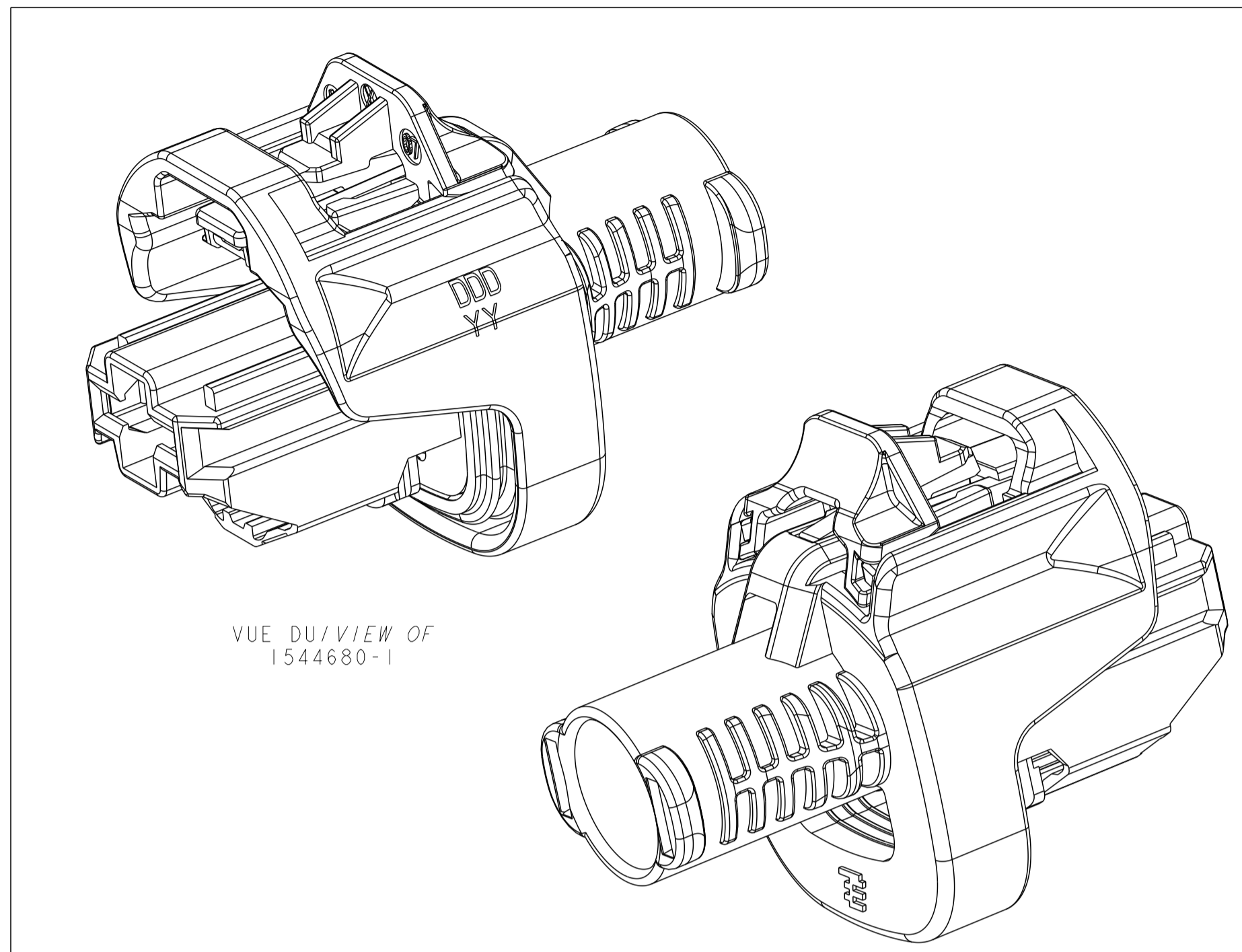
COMPOSANTS ASSOCIES POUR CABLEURS
 ASSOCIATED COMPONENTS FOR HARNESS MAKERS

COMPOSANTS COMPONENTS	REF TE TE PN	MATIERE MATERIAL	COULEUR COLOR
PORTE-LANGUETTE IV 8mm NGI ETANCHE 1-WAY 8mm NGI SEALED TAB HOUSING	1544606-1	PBT - FV10 V0 PBT - GF10 V0	NOIR/BLACK
PORTE-LANGUETTE IV 8mm NGI ETANCHE 1-WAY 8mm NGI SEALED TAB HOUSING	1544606-2	PBT - FV10 V0 PBT - GF10 V0	BLEU/BLUE
PORTE-LANGUETTE IV 8mm NGI ETANCHE 1-WAY 8mm NGI SEALED TAB HOUSING	1544606-3	PBT - FV10 V0 PBT - GF10 V0	GRIS/ GREY

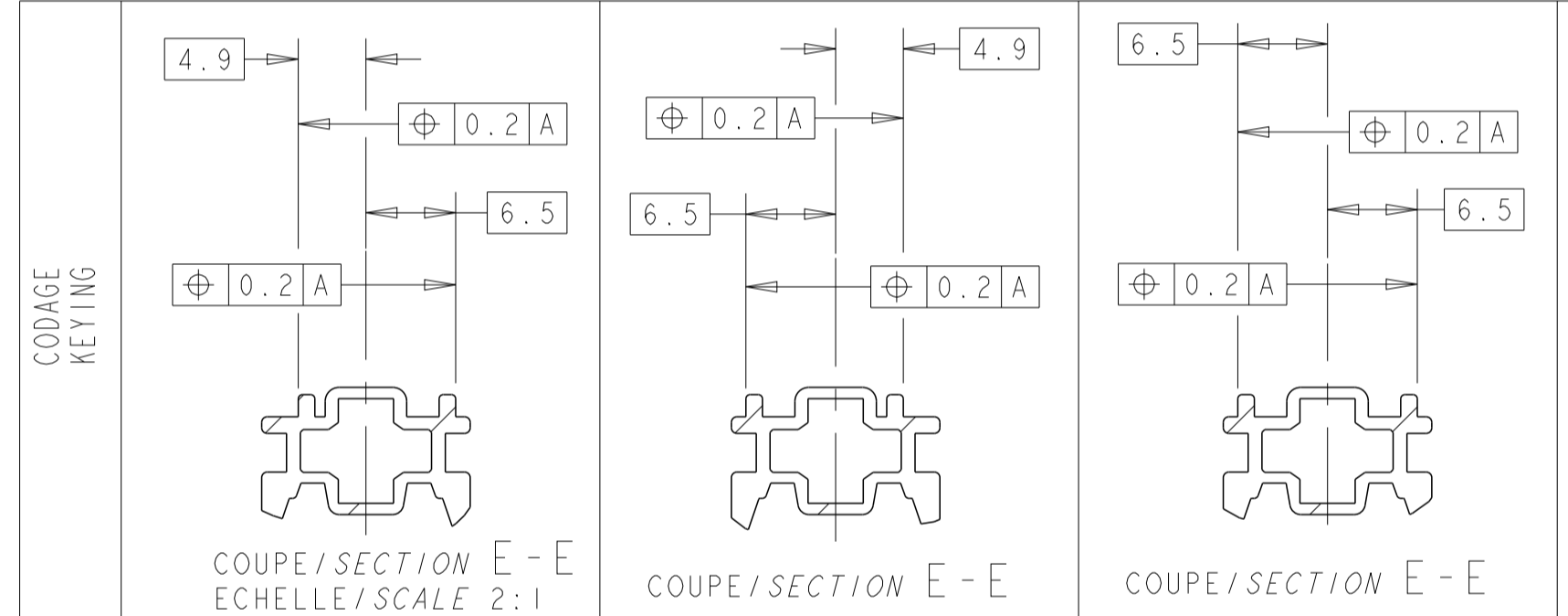
REFERENCES TE POUR CABLEURS
 TE PART NUMBERS FOR HARNESS MAKERS

COMPOSANTS COMPONENTS	REF TE TE PN	MATIERE MATERIAL	COULEUR COLOR
CLIP 8mm NGI. 8mm NGI CLIP	1544227-1	CUIVRE MICRO-ALLIE. MICRO ALLOYED COPPER	-
CLIP 8mm NGI. 8mm NGI CLIP	1544228-1	CUIVRE MICRO-ALLIE. MICRO ALLOYED COPPER	-
JOINT UNIFILAIRE 8mm NGI A SERTIR. 8mm NGI SINGLE WIRE SEAL	1544316-1	SILICONE AUTOLUBRIFIE. SILICONE SELF-LUBRICATED	VERT. GREEN
JOINT UNIFILAIRE 8mm NGI A SERTIR. 8mm NGI SINGLE WIRE SEAL	1544316-2	SILICONE AUTOLUBRIFIE. SILICONE SELF-LUBRICATED	ORANGE. ORANGE
SUPER JOINT UNIFILAIRE 8mm NGI A SERTIR. 8mm NGI SINGLE WIRE SUPER SEAL	1544664-1	SILICONE AUTOLUBRIFIE. SILICONE SELF-LUBRICATED	VERT. GREEN
SUPER JOINT UNIFILAIRE 8mm NGI A SERTIR. 8mm NGI SINGLE WIRE SUPER SEAL	1544664-2	SILICONE AUTOLUBRIFIE. SILICONE SELF-LUBRICATED	ORANGE. ORANGE
CLIP 8mm NGI+. 8mm NGI+ CLIP	1544964-1	PRE ETAME SnAg (1-3%) : 1.3µm. PRE TINNED SnAg (1-3%) : 1.3µm	-
CLIP 8mm NGI+. 8mm NGI+ CLIP	1544965-1	PRE ETAME SnAg (1-3%) : 1.3µm. PRE TINNED SnAg (1-3%) : 1.3µm	-
CLIP 8mm NGI+. 8mm NGI+ CLIP	1544966-1	PRE ETAME SnAg (1-3%) : 1.3µm. PRE TINNED SnAg (1-3%) : 1.3µm	-
JOINT UNIFILAIRE 8mm NG9K. 8mm NG9K SINGLE WIRE SEAL	1544970-1	SILICONE AUTOLUBRIFIE. SILICONE SELF-LUBRICATED	MARRON. BROWN
JOINT UNIFILAIRE 8mm NG9K. 8mm NG9K SINGLE WIRE SEAL	1544970-2	SILICONE AUTOLUBRIFIE. SILICONE SELF-LUBRICATED	BLEU. BLUE
JOINT UNIFILAIRE 8mm NG9K. 8mm NG9K SINGLE WIRE SEAL	1544970-3	SILICONE AUTOLUBRIFIE. SILICONE SELF-LUBRICATED	JAUNE. YELLOW

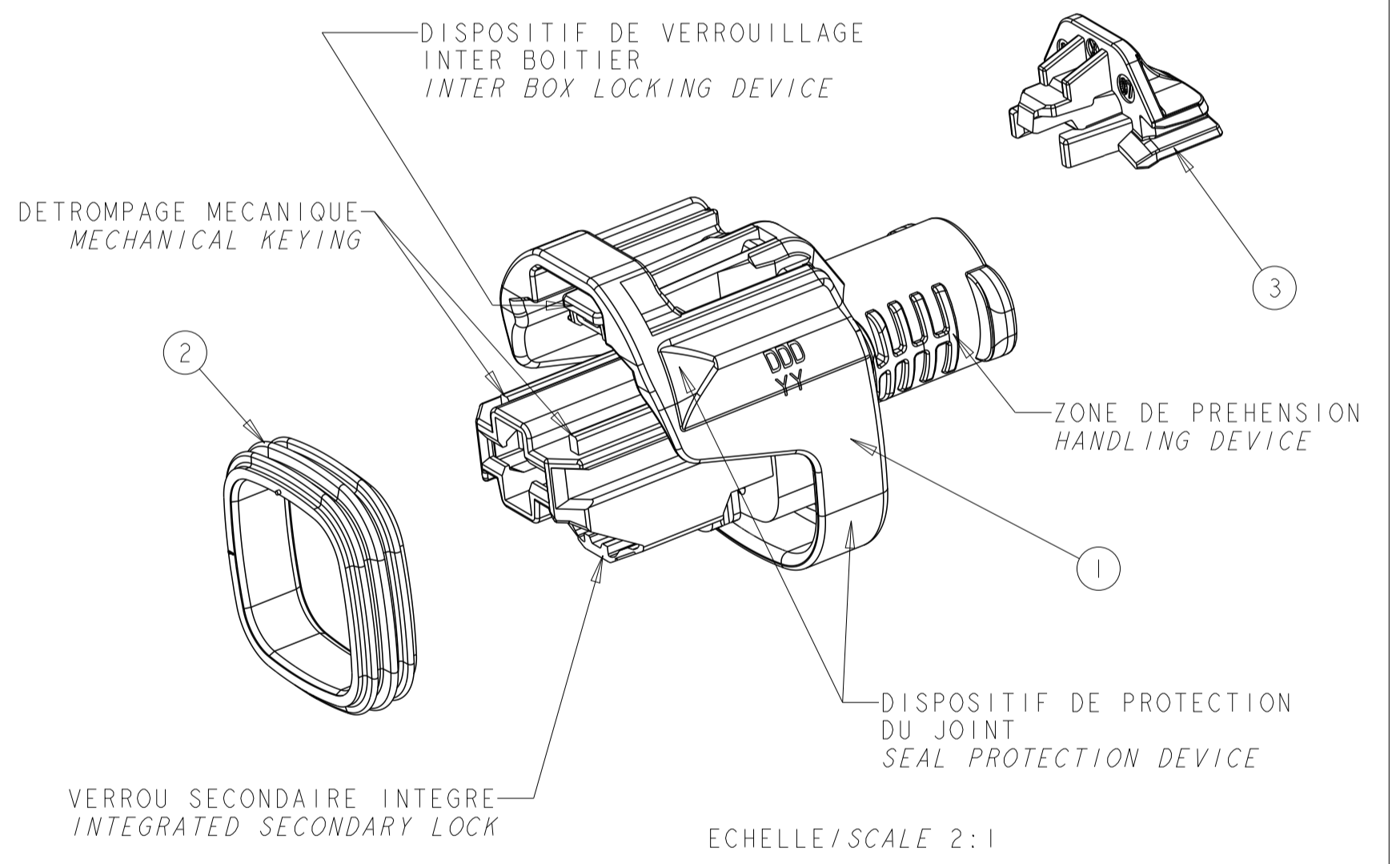
LOC	DIST	REVISIONS					
F	00	P	LTN	DESCRIPTION	DATE	DWN	APVD
		B		SECONDARY LOCK IMPROVEMENT	23FEB2010	FS1	JDr
		C		DESIGN CHANGE OF THE RECEPTACLE HOUSING	21MAY2012	CP0	JDr
		D		COLOR CPA ORANGE WAS YELLOW	16MAY2014	PB	JPP



ECHELLE 3:1



REF. TE TE PN	DESIGNATION DESCRIPTION	COULEUR COLOR	POIDS (g) WEIGHT (g)	CODAGE KEYING
1544680-1	PORTE CLIP ETANCHE 1 VOIE 8mm GEN2 AVEC CPA 1 WAY 8mm SEALED HOUSING GEN2 WITH CPA	NOIR BLACK	7.6	4.9, 6.5, 0.2 A
1801361-1	PORTE CLIP ETANCHE 1 VOIE 8mm GEN2 1 WAY 8mm SEALED HOUSING GEN2	NOIR BLACK	7	6.5, 0.2 A
1544680-2	PORTE CLIP ETANCHE 1 VOIE 8mm GEN2 AVEC CPA 1 WAY 8mm SEALED HOUSING GEN2 WITH CPA	BLEU BLUE	7.6	4.9, 6.5, 0.2 A
1801361-2	PORTE CLIP ETANCHE 1 VOIE 8mm GEN2 1 WAY 8mm SEALED HOUSING GEN2	BLEU BLUE	7	6.5, 0.2 A
1544680-3	PORTE CLIP ETANCHE 1 VOIE 8mm GEN2 AVEC CPA 1 WAY 8mm SEALED HOUSING GEN2 WITH CPA	GRIS GREY	7.6	4.9, 6.5, 0.2 A
1801361-3	PORTE CLIP ETANCHE 1 VOIE 8mm GEN2 1 WAY 8mm SEALED HOUSING GEN2	GRIS GREY	7	6.5, 0.2 A



ECHELLE/SCALE 2:1

DESIGNATION DESCRIPTION	COULEUR COLOR	MATIERE MATERIAL	N° COMPOSANT ITEM NUMBER
CPA	ORANGE	PBT FV10 PBT GF10	3
JOINT INTERFACIAL INTERFACIAL SEAL	VERT GREEN	SILICONE AUTO LUBRIFIE SELF LUBRICATED SILICON	2
PORTE CLIP IV 8mm NGI GENERATION2 1 WAY 8mm NGI RECEPTACLE HOUSING GENERATION2	GRIS GREY	PBT HB PBT HB	1
	BLEU BLUE	PBT HB PBT HB	1
	NOIR BLACK	PBT HB PBT HB	1

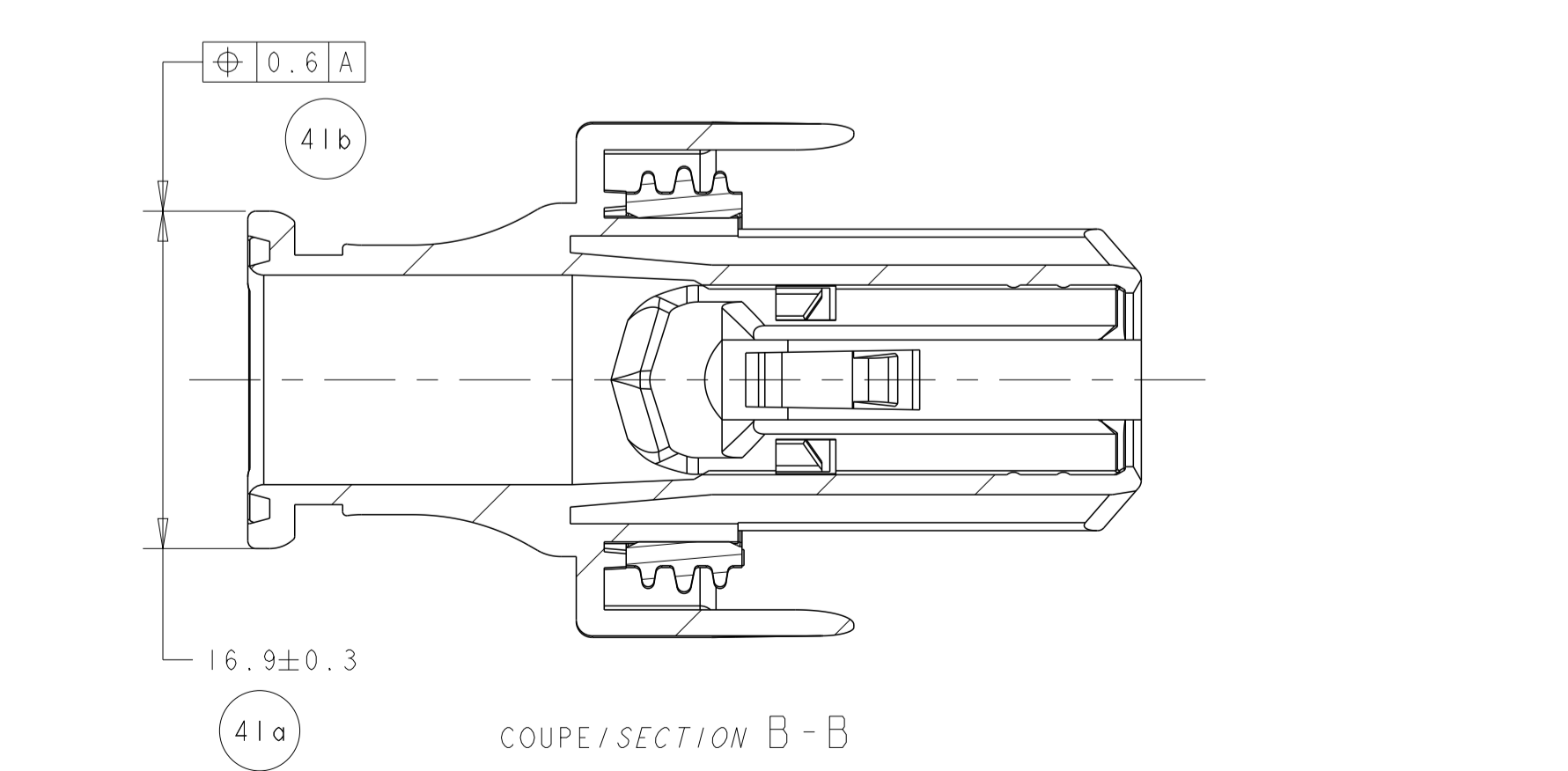
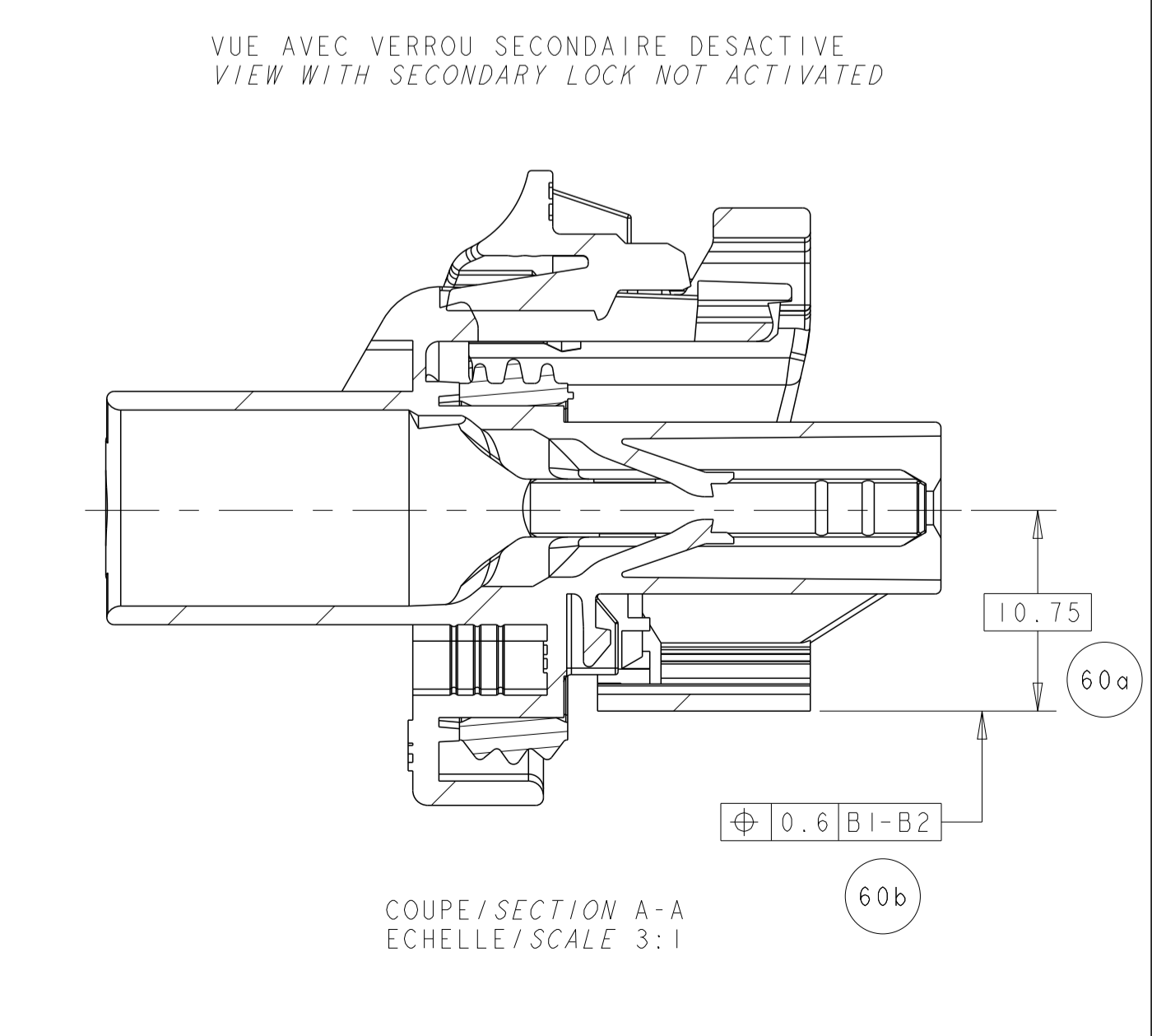
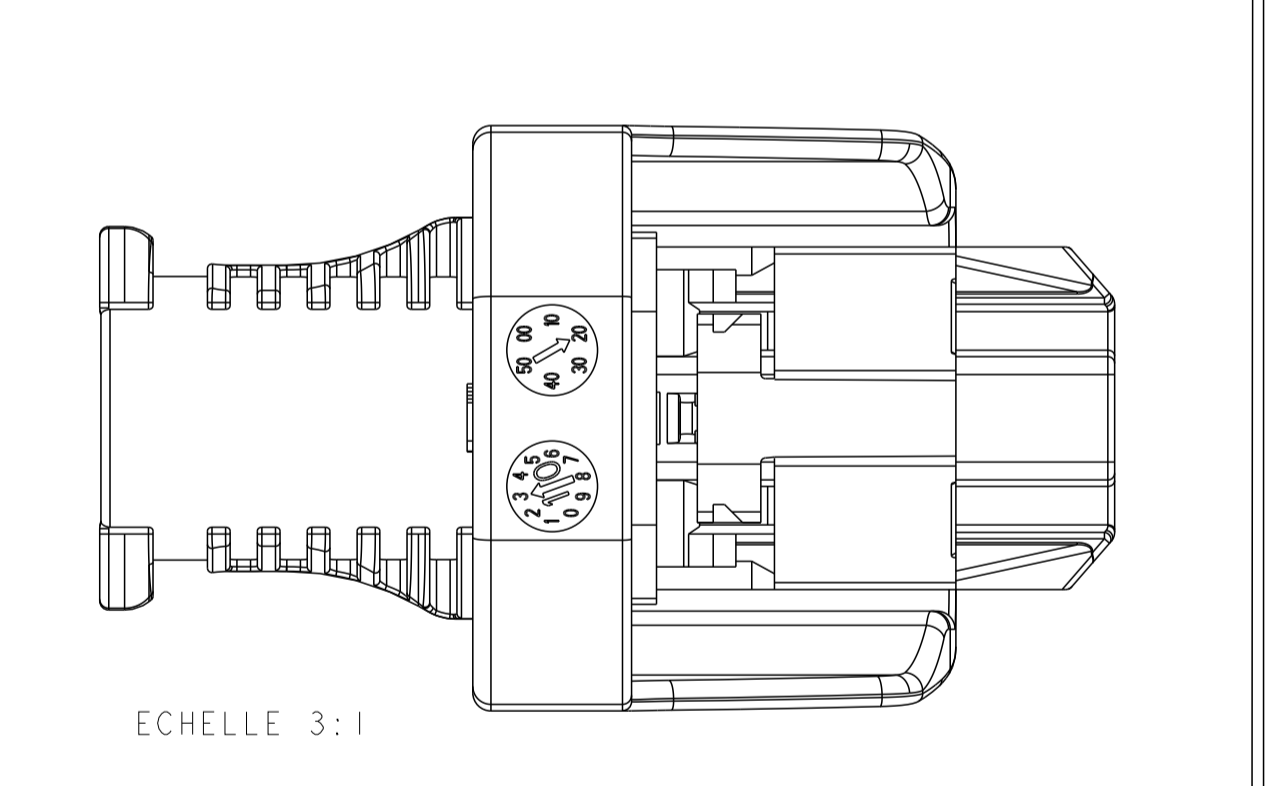
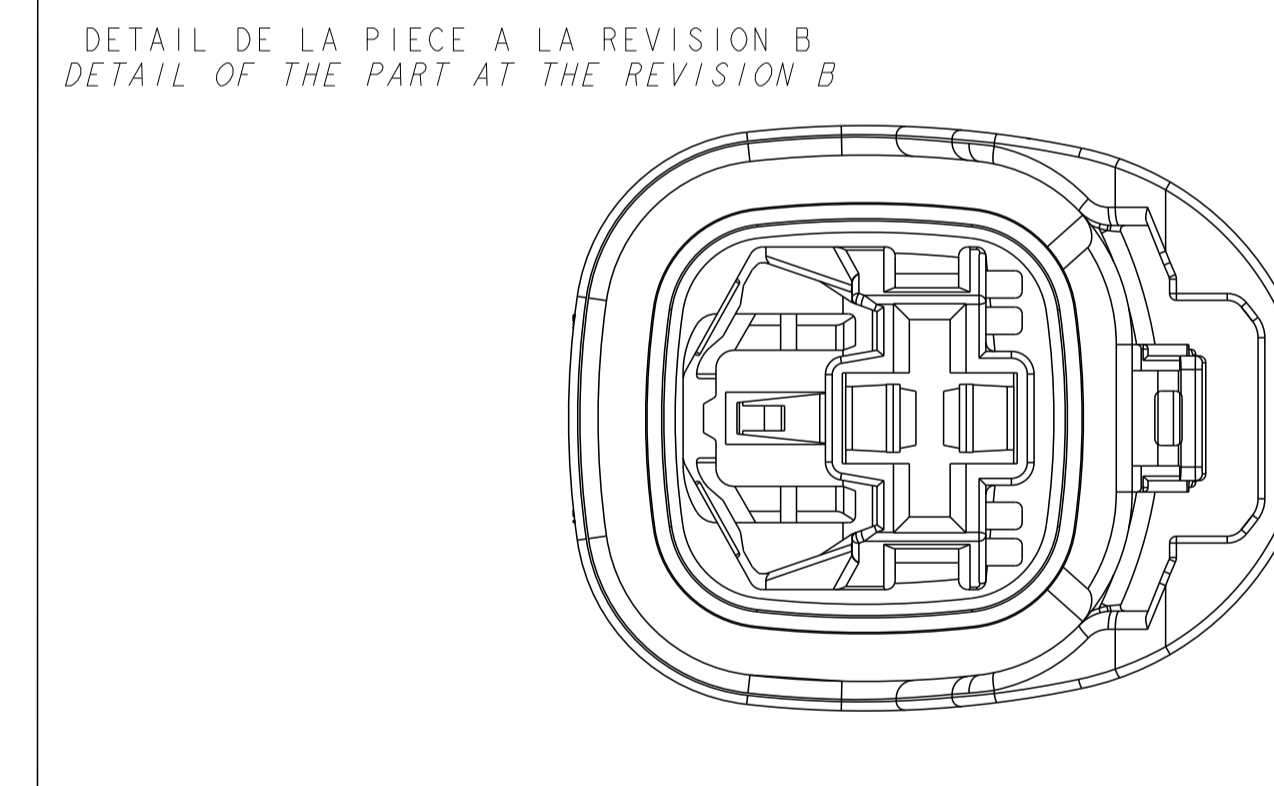
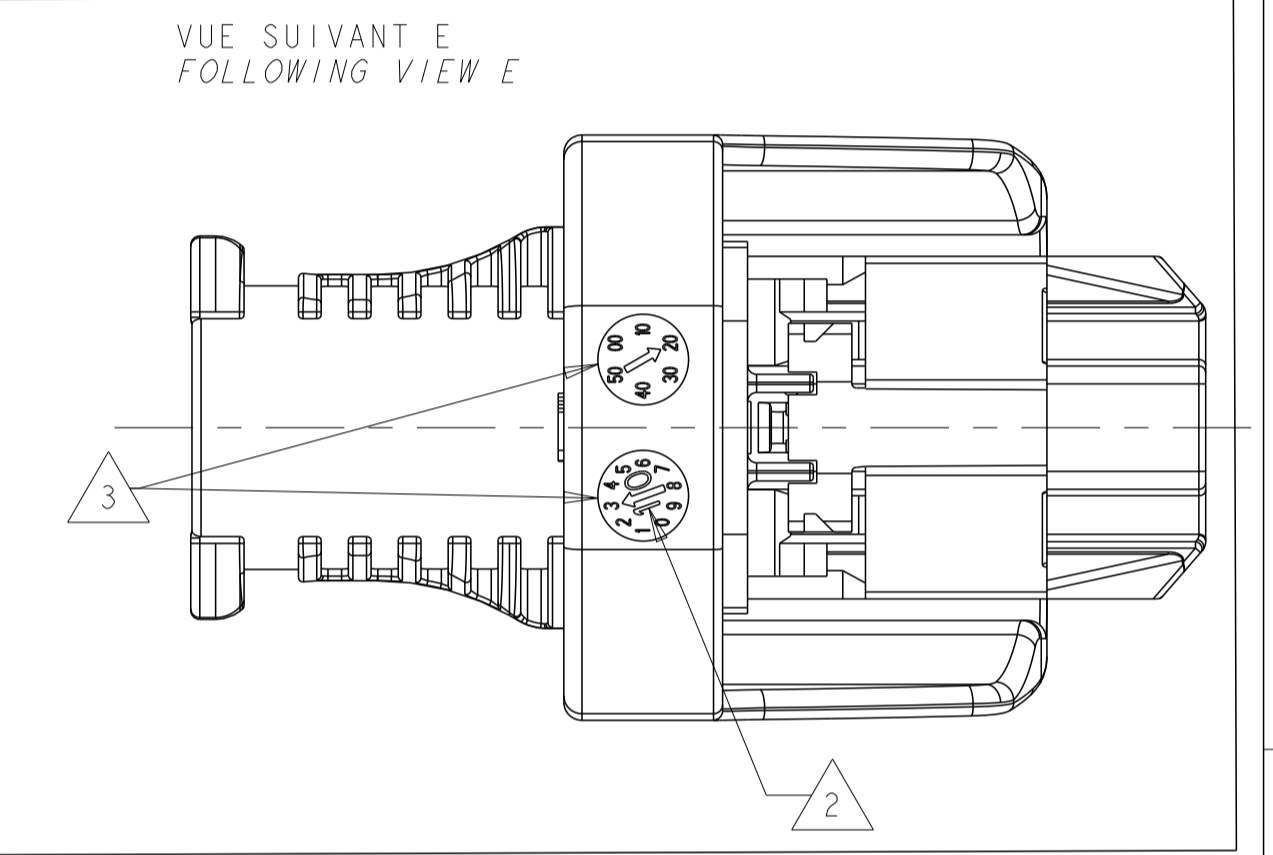
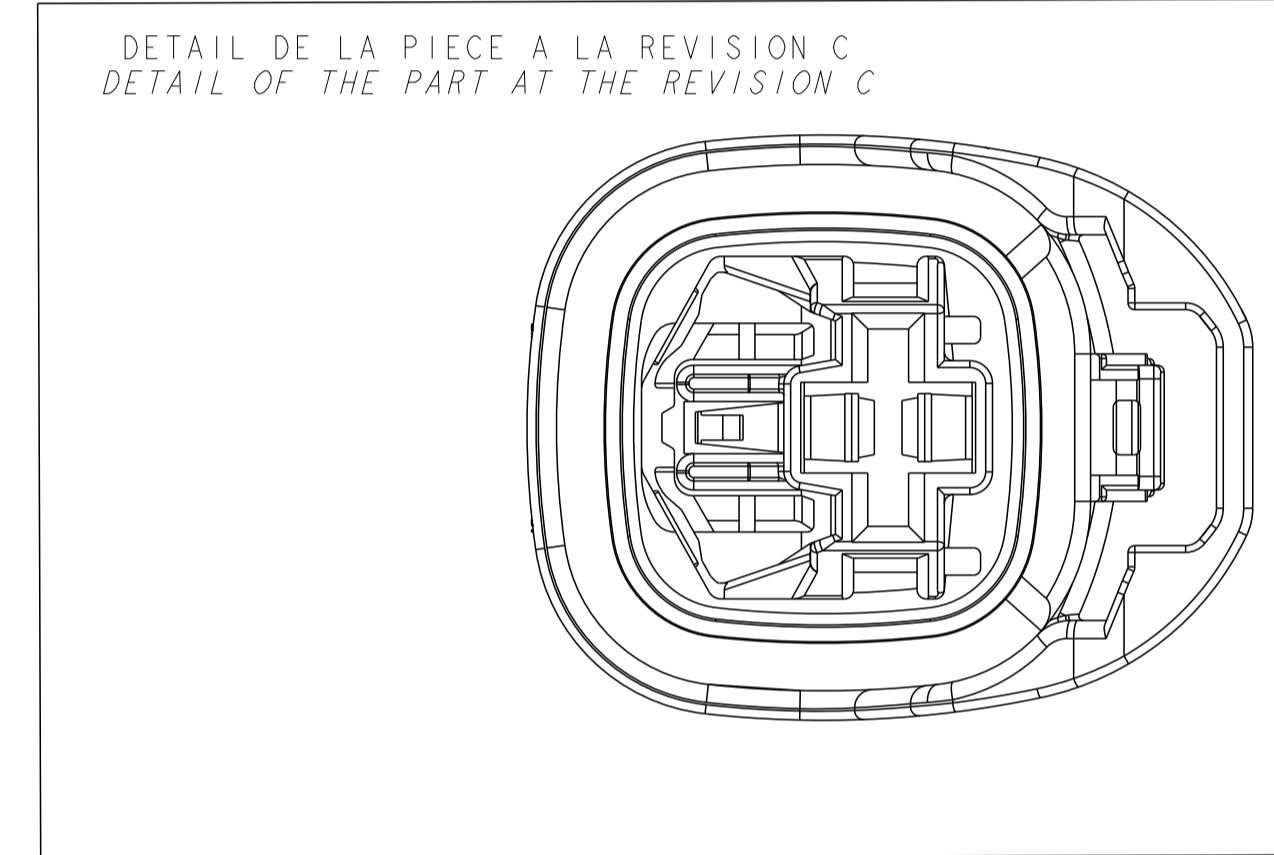
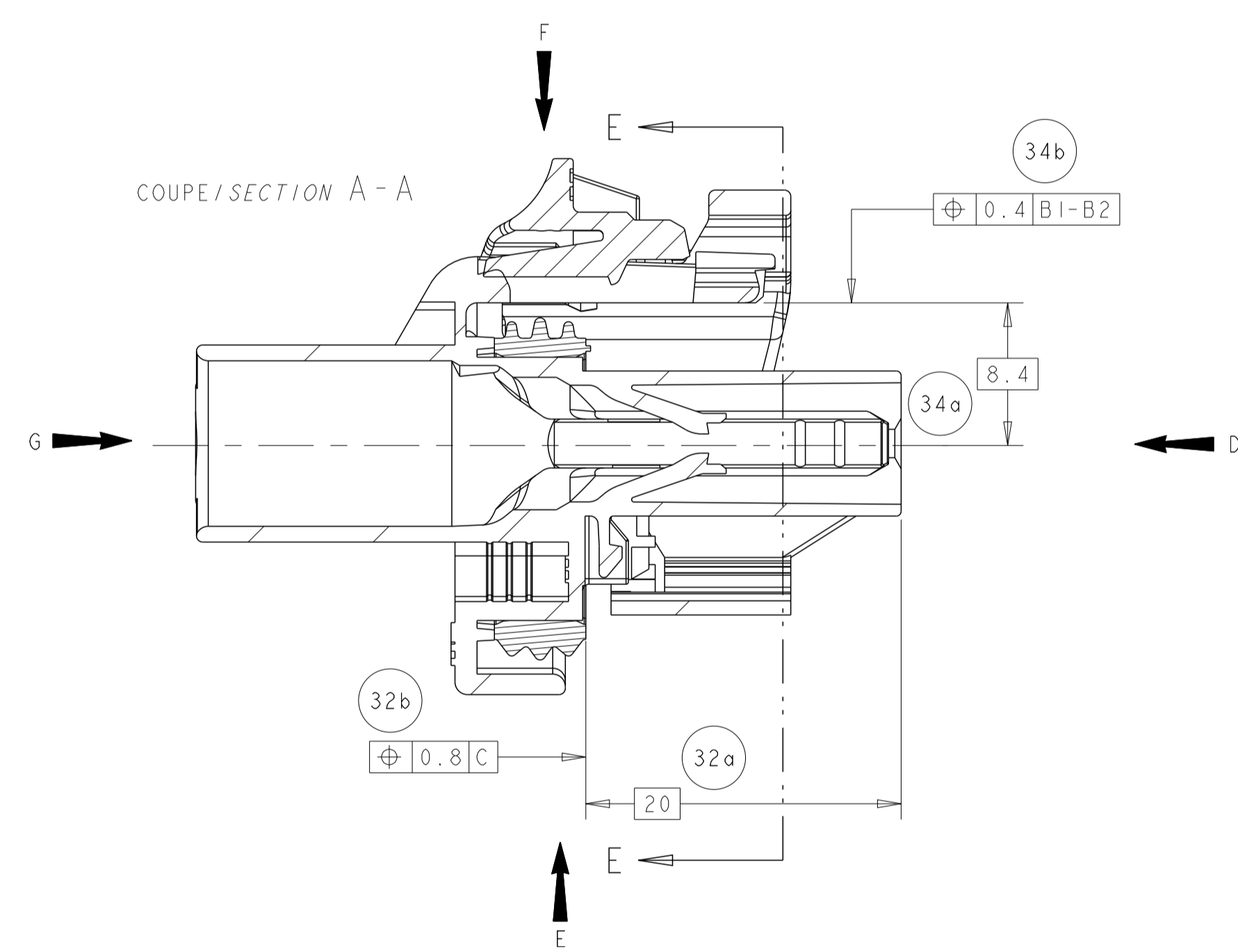
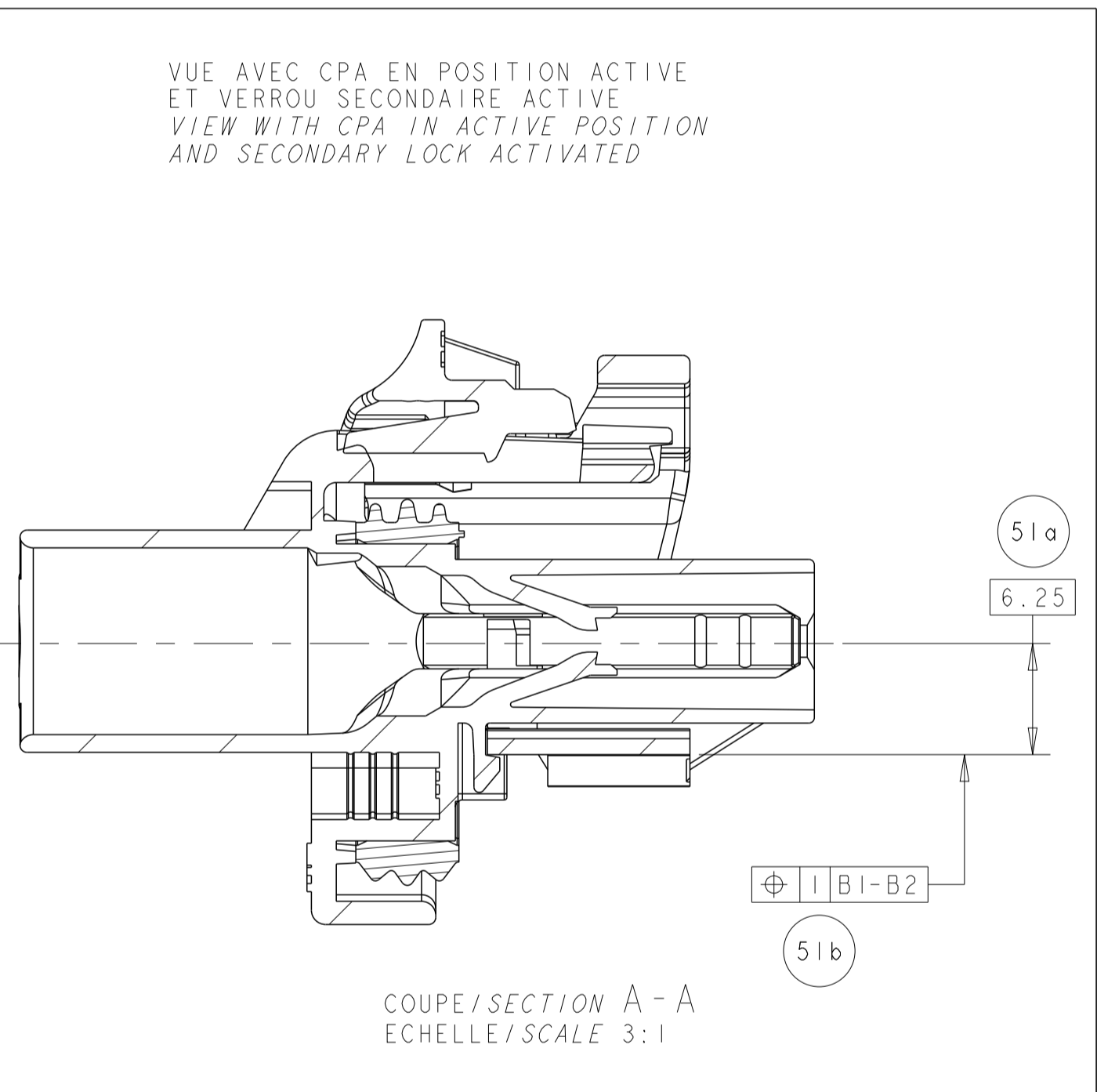
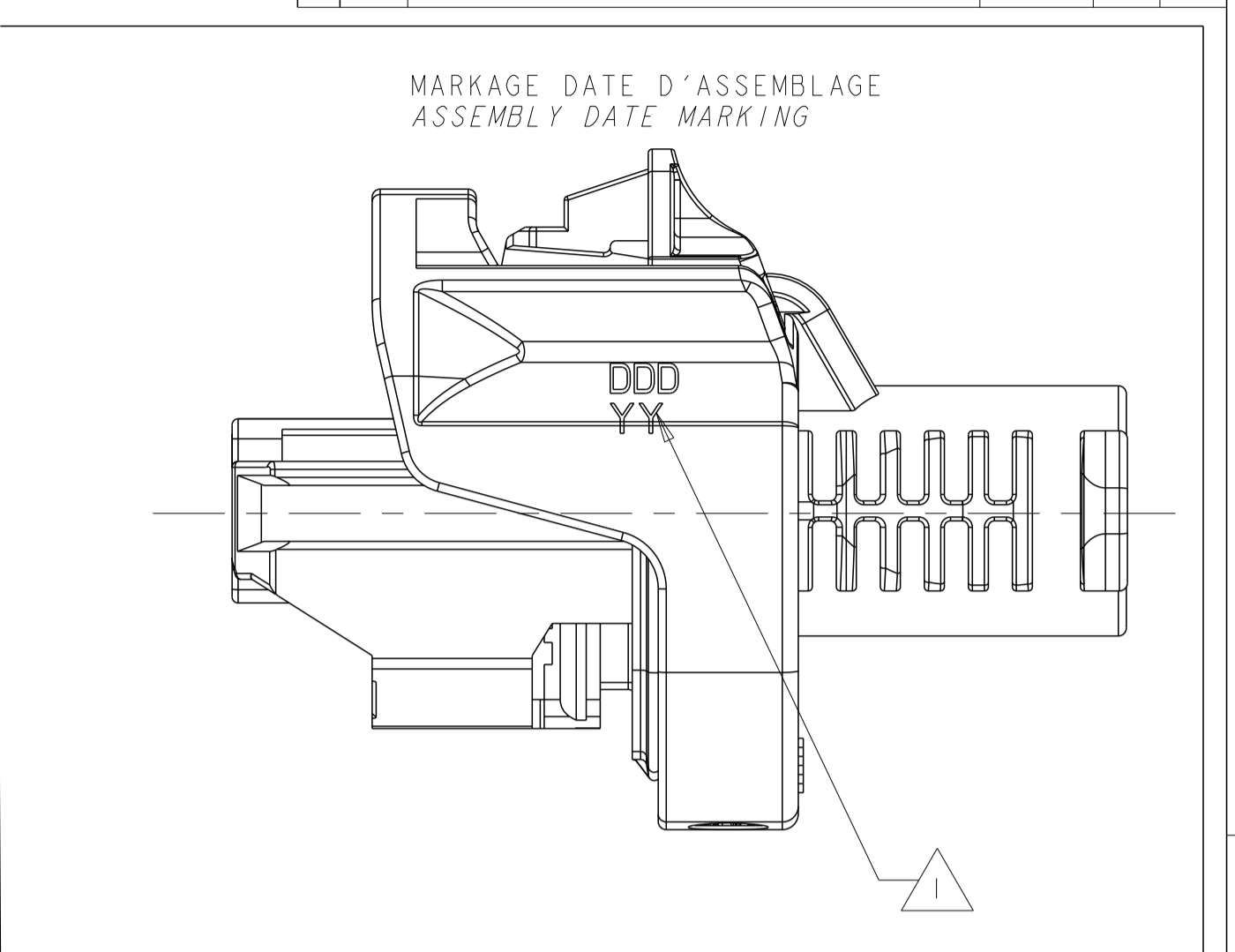
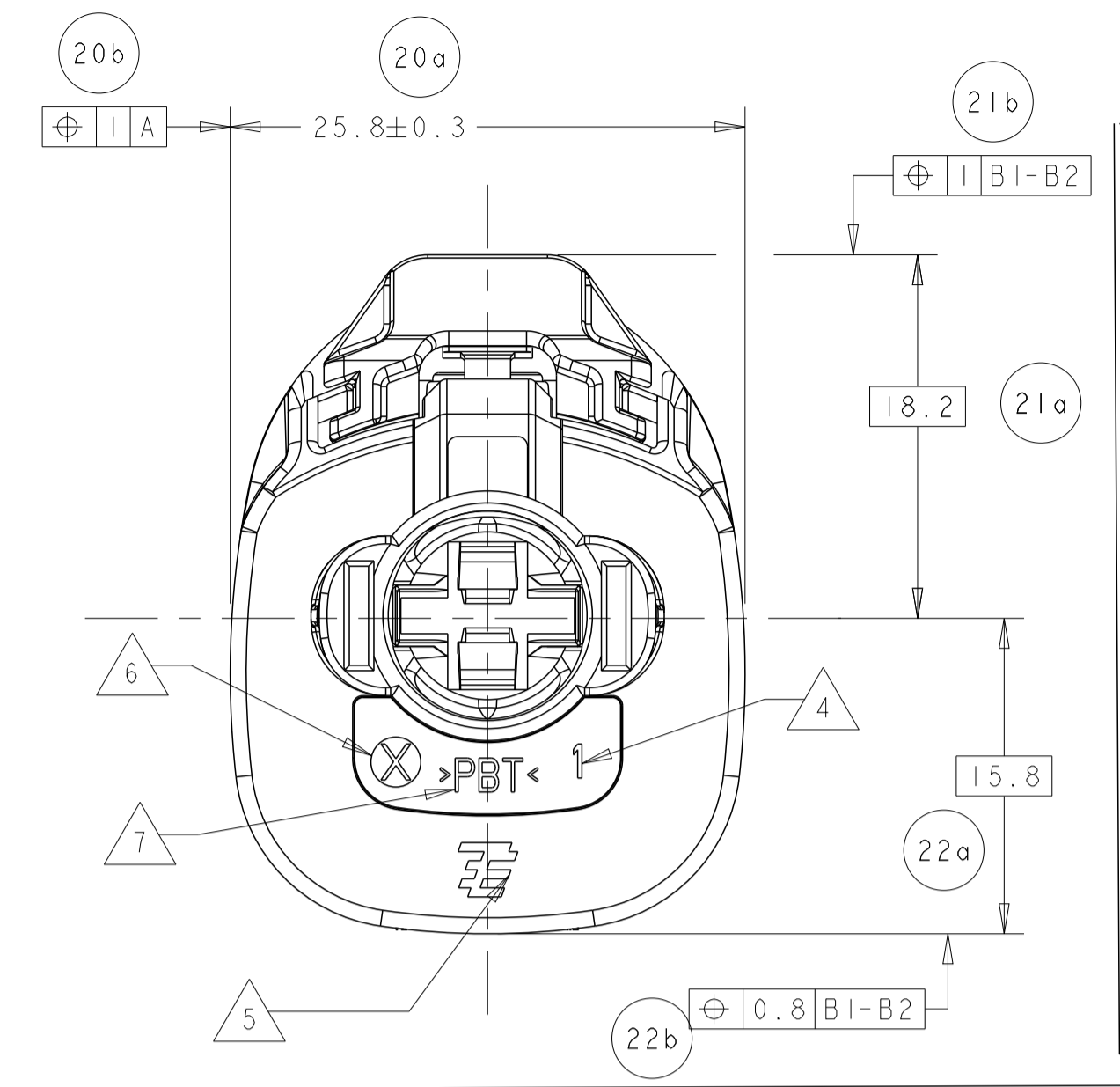
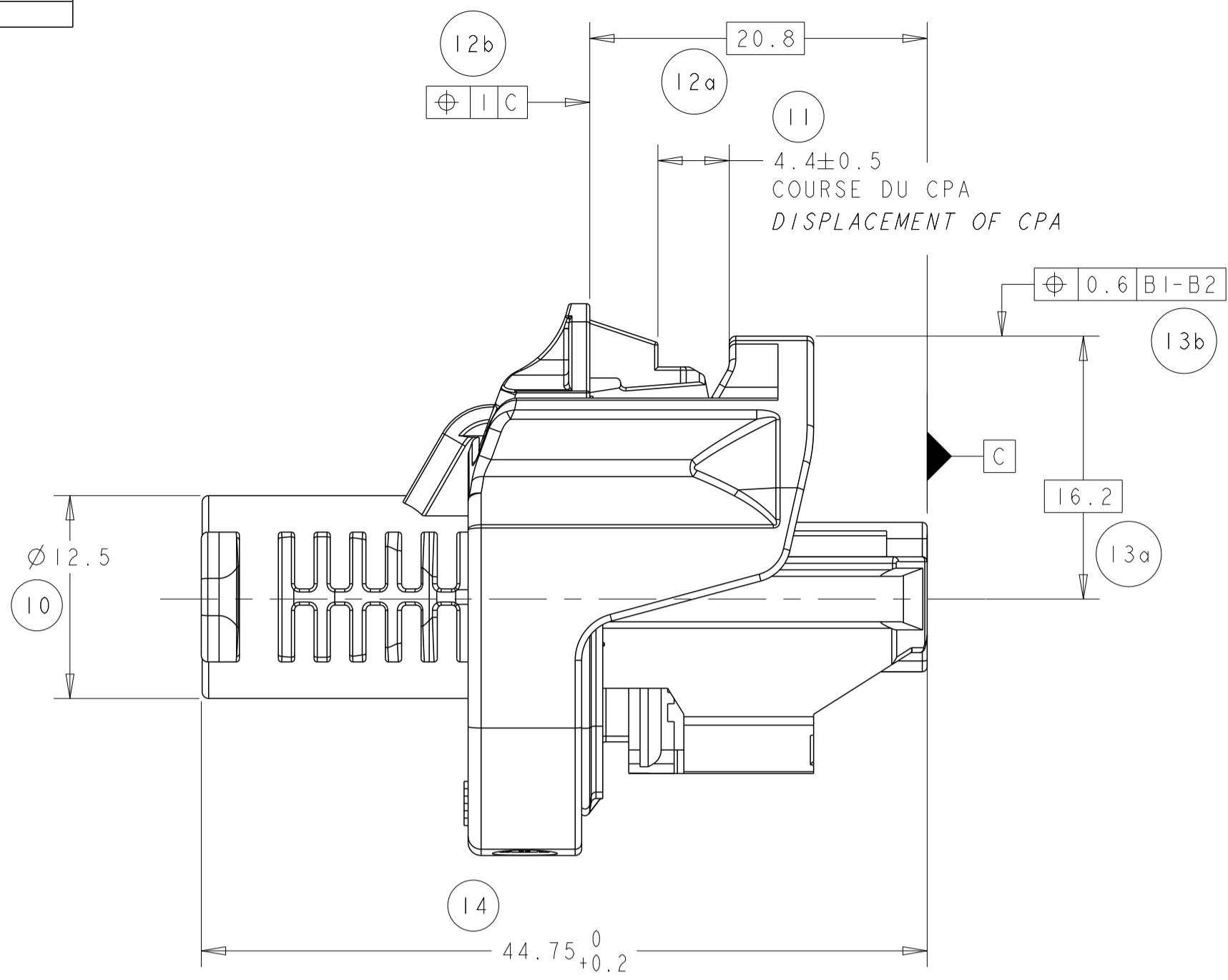
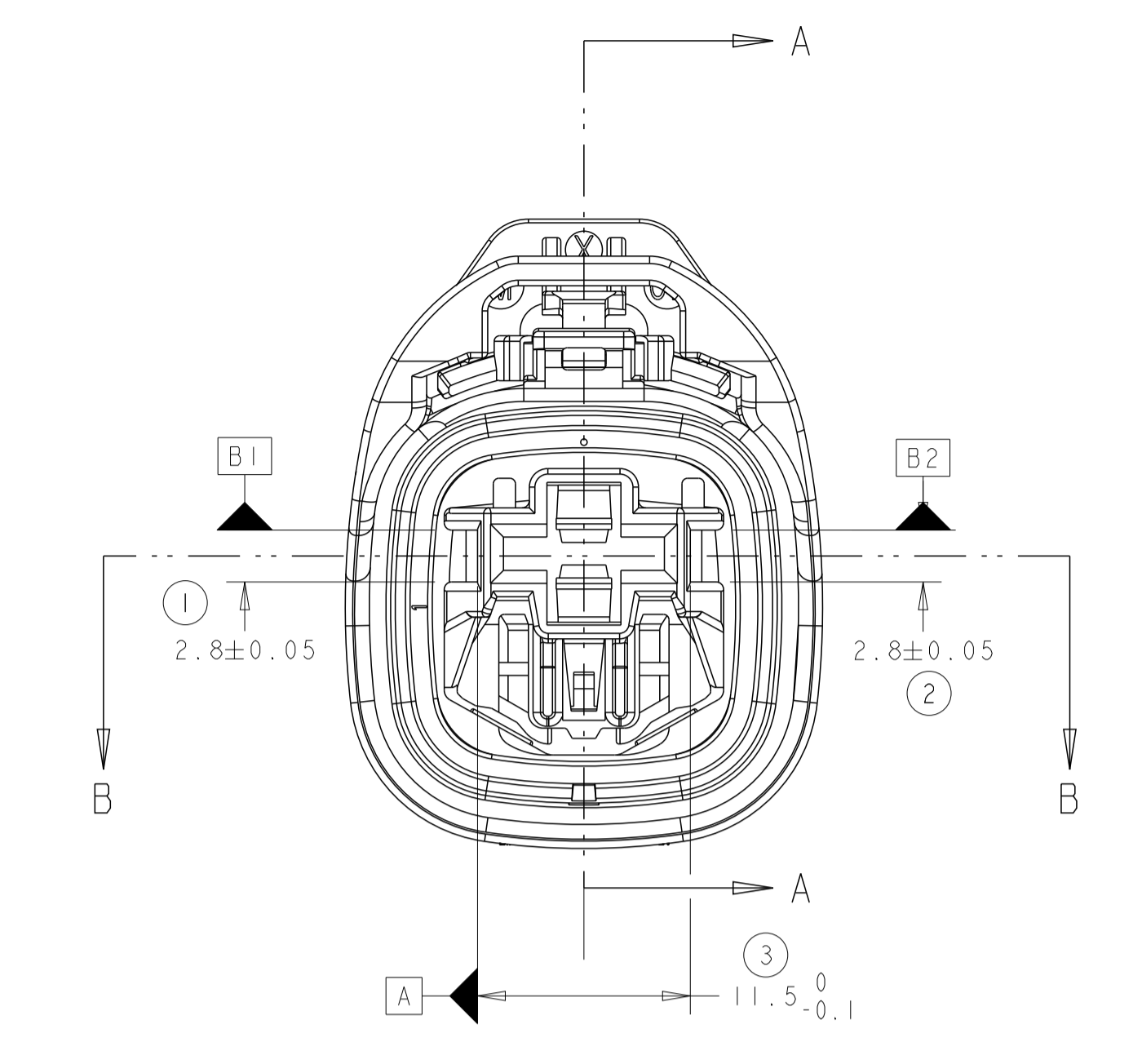
THIS DRAWING IS A CONTROLLED DOCUMENT. DIMENSIONS: mm. TOLERANCES UNLESS OTHERWISE SPECIFIED: 0 PLC ±0.2, 1 PLC ±0.2, 2 PLC ±0.2, 3 PLC ±0.2, 4 PLC ±0.2, ANGLES ±0.2. MATERIAL: VOIR TABLEAU SEE TABLE. FINISH: -.

OWN: F. SAPET 13MAY2008. CHK: P. CHARLES 13MAY2008. APVD: J. DAHER 13MAY2008. PRODUCT SPEC: 108-15380. APPLICATION SPEC: 411-15728. WEIGHT: SEE TABLE. CUSTOMER DRAWING.

STE TE Connectivity. PRODUCT GROUP DWG FOR HSG ASSY, 8MM RECEPT, 1 WAY, SEALED, GENERATION2. PC 1 VOIE 8MM NGI ETANCHE GENERATION2. SIZE: A100779. CAGE CODE: 1801362. SHEET 1 OF 2. REV D.

LOC	DIST	REV	DATE	APPV
F	00			

REVISIONS				
NO	DESCRIPTION	DATE	DMN	APV
1	SEE SHEET 1			



ECHELLE/SCALE 2:1

DECODAGE DU DATEUR MOIS
MONTH DATE CODE TRANSLATION

LETTRE/LETTER	MOIS/MONTH
A	JANVIER/JANUARY
B	FEVRIER/FEBRUARY
C	MARS/MARCH
D	AVRIL/APRIL
E	MAI/MAY
F	JUIN/JUNE
G	JUILLET/JULY
H	AOUT/AUGUST
I	SEPTEMBRE/SEPTEMBER
J	OCTOBRE/OCTOBER
K	NOVEMBRE/NOVEMBER
L	DECEMBRE/DECEMBER

ECHELLE/SCALE 6:1

THIS DRAWING IS A CONTROLLED DOCUMENT.		DMN E. SAPET 13MAY2008
DIMENSIONS: mm		CHK P. CHARLES 13MAY2008
TOLERANCES UNLESS OTHERWISE SPECIFIED:		APV J. DAHER 13MAY2008
0 PLC	±0.2	NAME PRODUCT GROUP DWG FOR HSG ASSY, 8MM RECEPT, 1 WAY, SEALED, GENERATION 2 PC 1V01E 8MM NG1 ETANCHE GENERATION 2
1 PLC	±0.2	
2 PLC	±0.2	
4 PLC	±0.2	
ANGLES	±0.2	SIZE 411-15128
MATERIAL VOIR TABLEAU SEE TABLE	FINISH	RESTRICTED TO
WEIGHT		SEE TABLE
Customer Drawing		SCALE 3:1 SHEET 2 OF 2 REV D