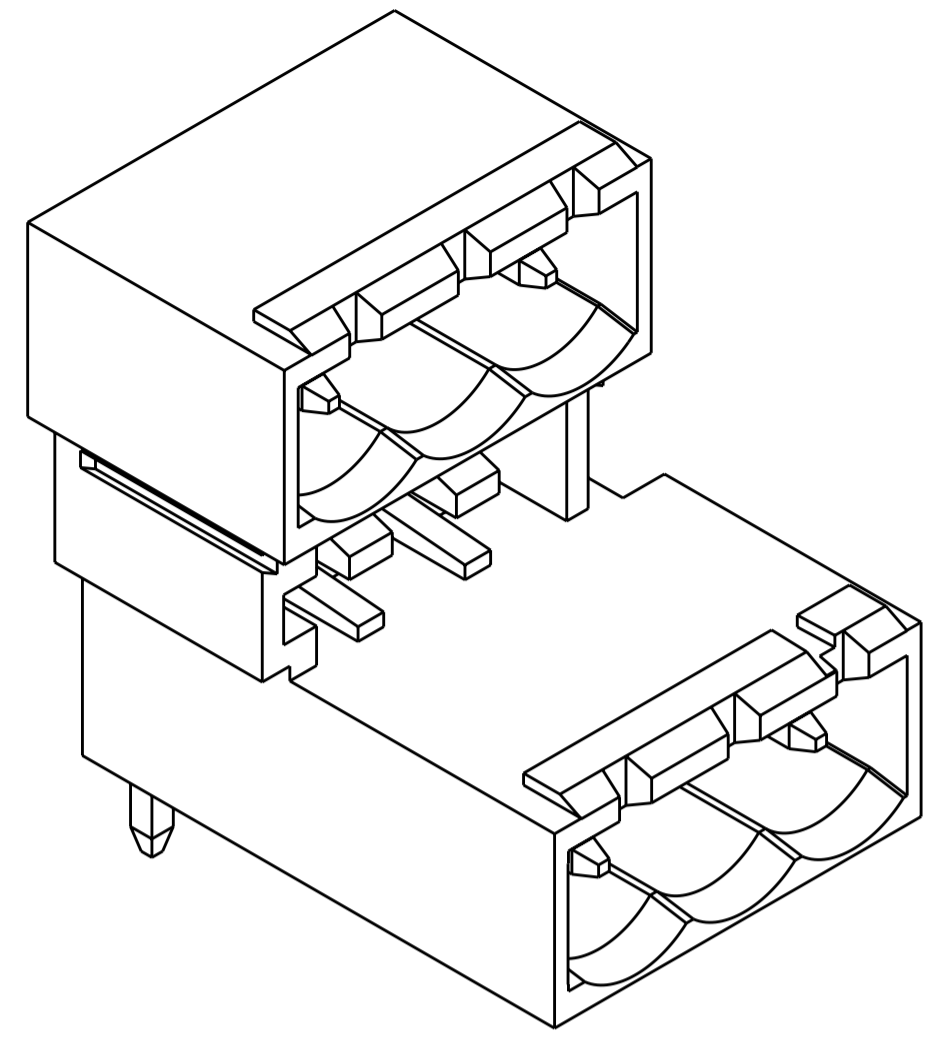
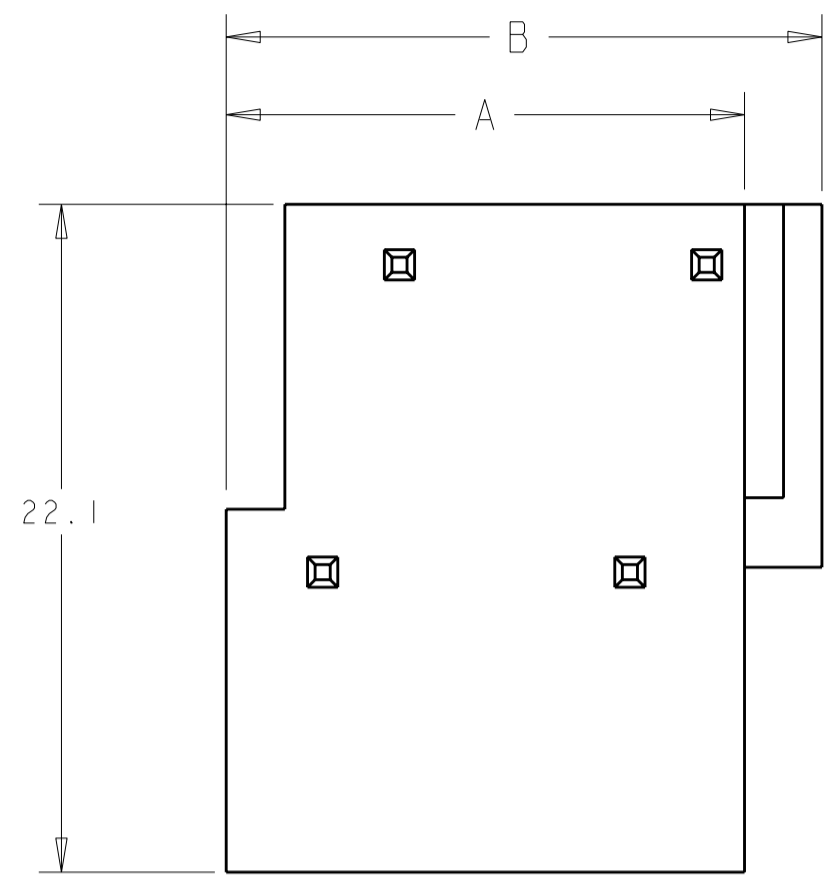


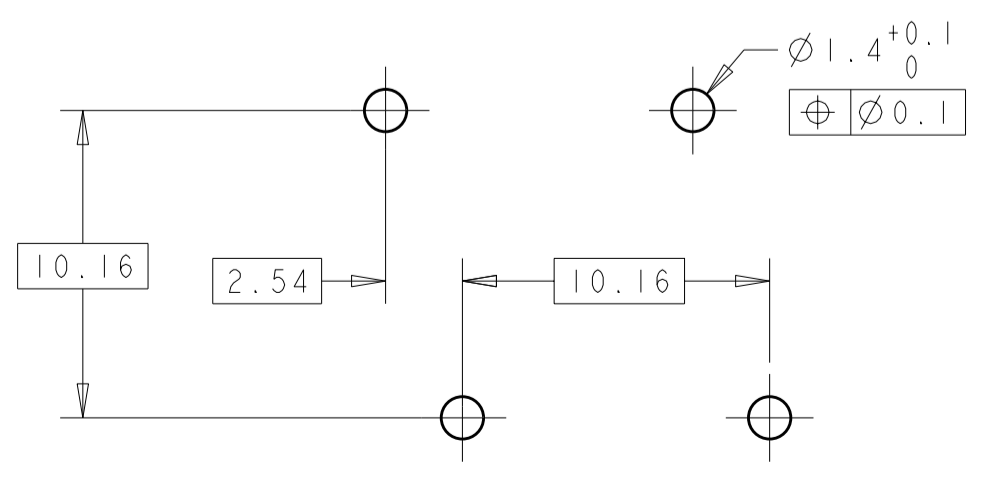
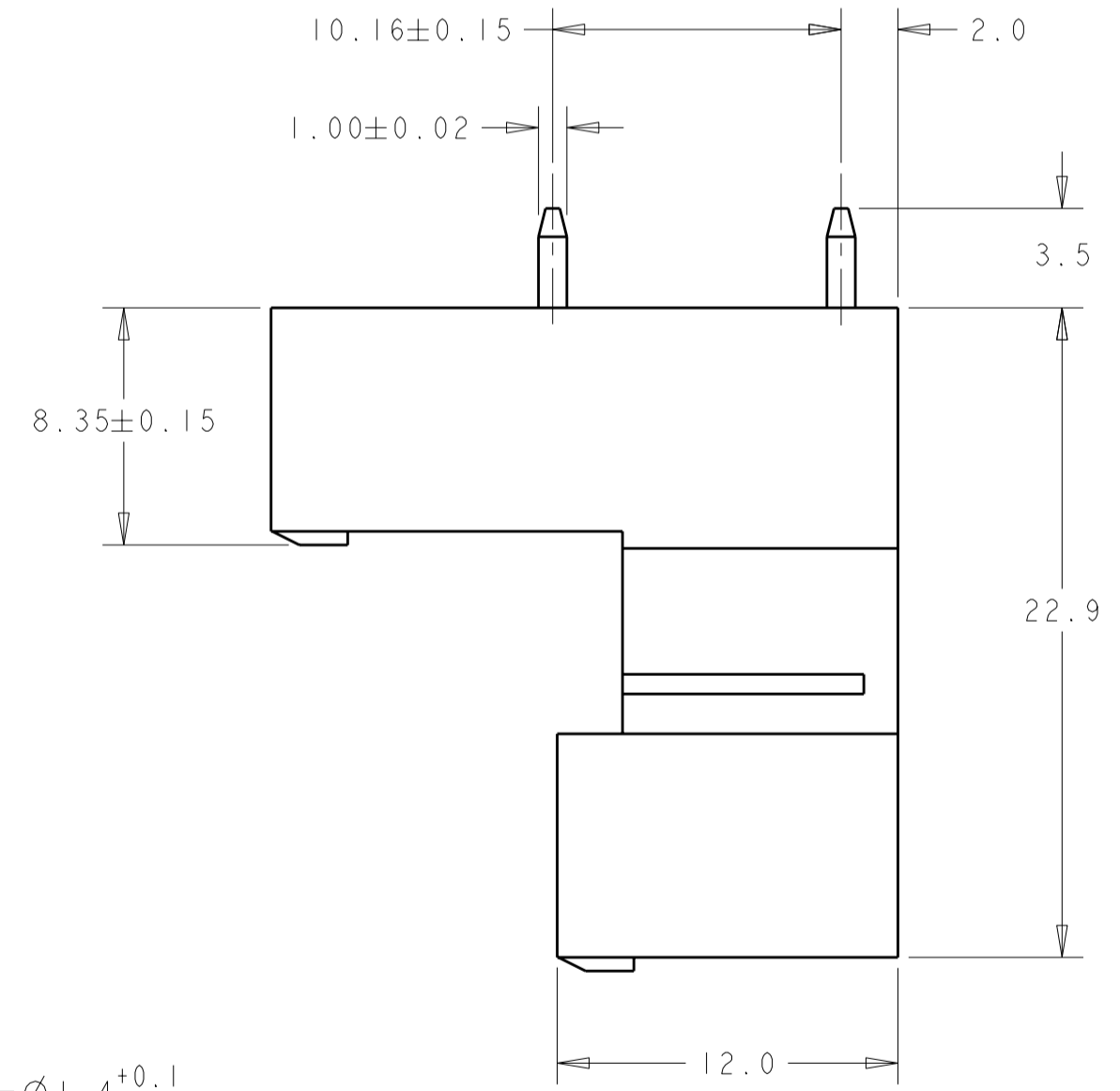
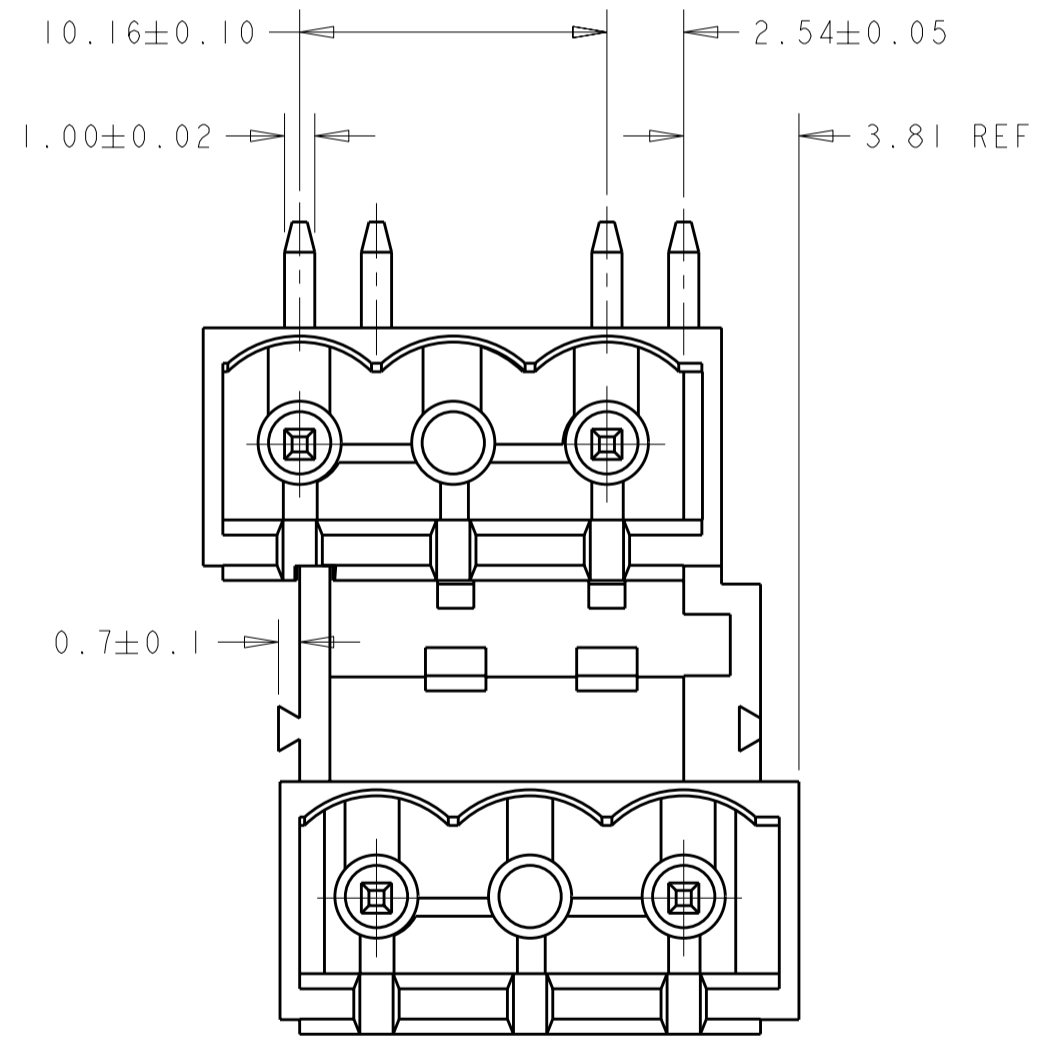
THIS DRAWING IS UNPUBLISHED. RELEASED FOR PUBLICATION 20
 © COPYRIGHT 20 BY - ALL RIGHTS RESERVED.

| LOC | DIST | REVISIONS | | | |
|-----|------|---------------------------|-----------|-----|------|
| P | LTR | DESCRIPTION | DATE | DWN | APVD |
| FT | 0 | | | | |
| | 01 | REVISED PER ECO-12-007714 | 25APR2012 | KH | MS |



1776171-3 AS SHOWN

- ⚠ MATERIALS AND FINISH
 HOUSING: HIGH TEMPERATURE POLYAMIDE, UL 94V-0 RATED, COLOR: BLACK.
 TERMINAL: COPPER ALLOY, TIN PLATED.
- SUITABLE FOR 1,6-2,4mm PC BOARD THICKNESS.
 - P/N FROM 1776171-4 TO 1776171-8 ARE OBTAINED BY ASSEMBLING 1776171-2 AND 1776171-3 TO ACHIEVE THE DESIRED NUMBER OF POSITIONS.



RECOMMENDED PC BOARD LAYOUT

| | | | |
|-------|-------|------------|-------------|
| 40.14 | 37.60 | 4 | 1776171-4 |
| 29.98 | 27.44 | 3 | 1776171-3 |
| 19.82 | 17.28 | 2 | 1776171-2 |
| B | A | NO OF POSN | PART NUMBER |

| | | | | |
|--|--|---------------------------|--|--|
| THIS DRAWING IS A CONTROLLED DOCUMENT. | | DWN S. WELDON 29JUL2005 | STE TE Connectivity | |
| DIMENSIONS: mm | | CHK C. RICHARD 29JUL2005 | | |
| TOLERANCES UNLESS OTHERWISE SPECIFIED: | | APVD C. RICHARD 29JUL2005 | NAME TERMINAL BLOCK HEADER ASSEMBLY, MULTIPLE, 90 DEGREE, CLOSED ENDS, 10.16mm PITCH | |
| 0 PLC ±- | | PRODUCT SPEC - | SIZE CAGE CODE DRAWING NO RESTRICTED TO | |
| 1 PLC ±.3 | | APPLICATION SPEC - | A200779C-1776171 | |
| 2 PLC ±.25 | | WEIGHT - | SCALE 4:1 SHEET OF REV 01 | |
| 3 PLC ±- | | CUSTOMER DRAWING | | |
| 4 PLC ±- | | | | |
| ANGLES ±2 | | | | |
| FINISH | | | | |