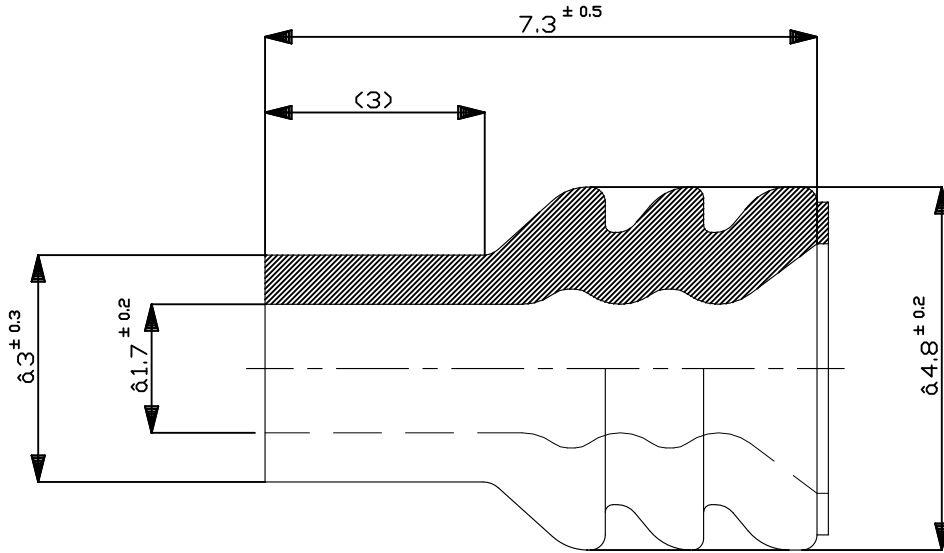


REVISIONS					
P	LTR	DESCRIPTION	DATE	DWN	APVD
	A1	REVISED PER ECR-23-165252	02FEB2023	RK	MT




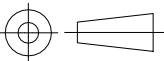
TE Connectivity. All Rights Reserved.

2023

©

被覆外径<INSULATION DIA.> 1.8~2.6mmφ
色<COLOR> SEE TABLE 表参照

OBSOLETE	176886-5	SIR	茶	BROWN
	176886-4	NBR	緑	GREEN
SUPERSEDED	176886-2	NBR	灰	GRAY
	型番	P/N	材料	色
			材料	色

DIMENSIONS: mm	DWN K.ODA	1/24'91	MATERIAL	-	FINISH	-
	CHK I. ISCHATA	1/24'91	 TE Connectivity			
TOLERANCES UNLESS OTHERWISE SPECIFIED:	APVD I. ISCHATA	1/24'91				
0 PLC ± -	PRODUCT SPEC	-	NAME RUBBER PLUG			
1 PLC ± -	APPLICATION SPEC	-				
2 PLC ± -	WEIGHT	-	SIZE	A4	CAGE CODE	00779
3 PLC ± -			DRAWING NO	C-176886		RESTRICTED TO
4 PLC ± -						-
ANGLES ± -						
			CUSTOMER DRAWING	SCALE	10:1	SHEET 1 OF 1
						REV A1