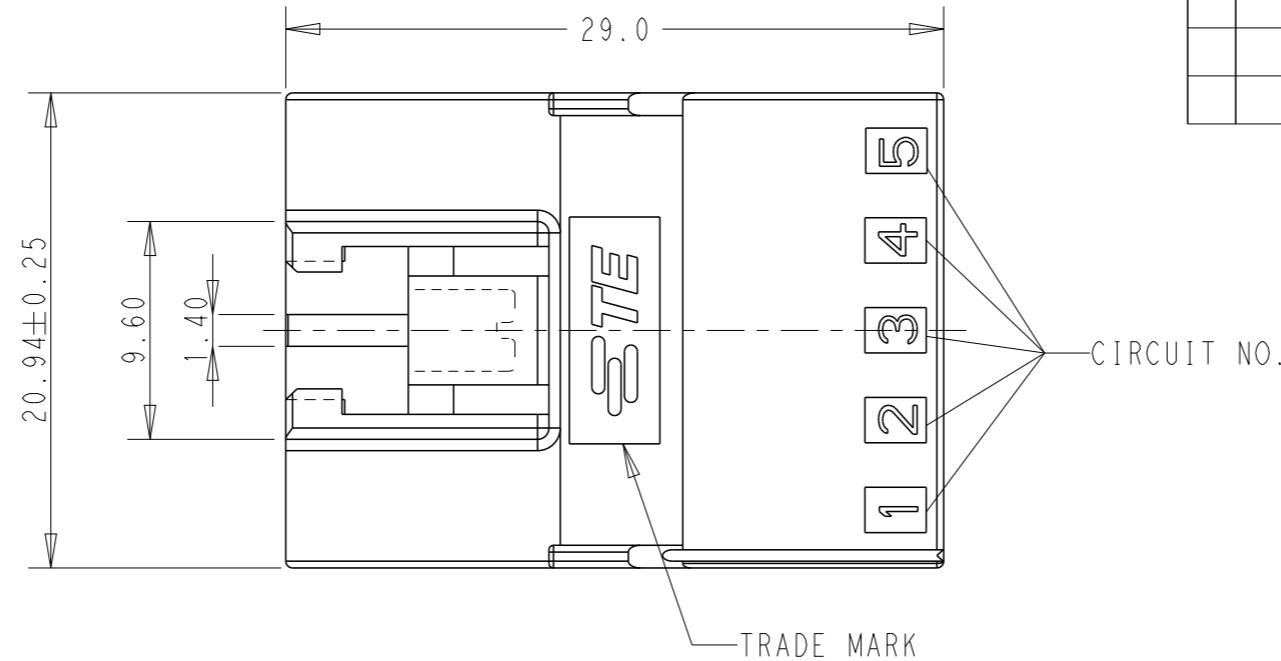
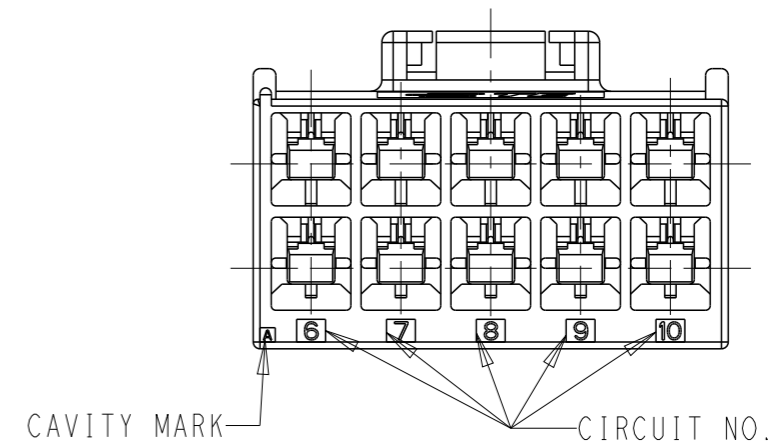
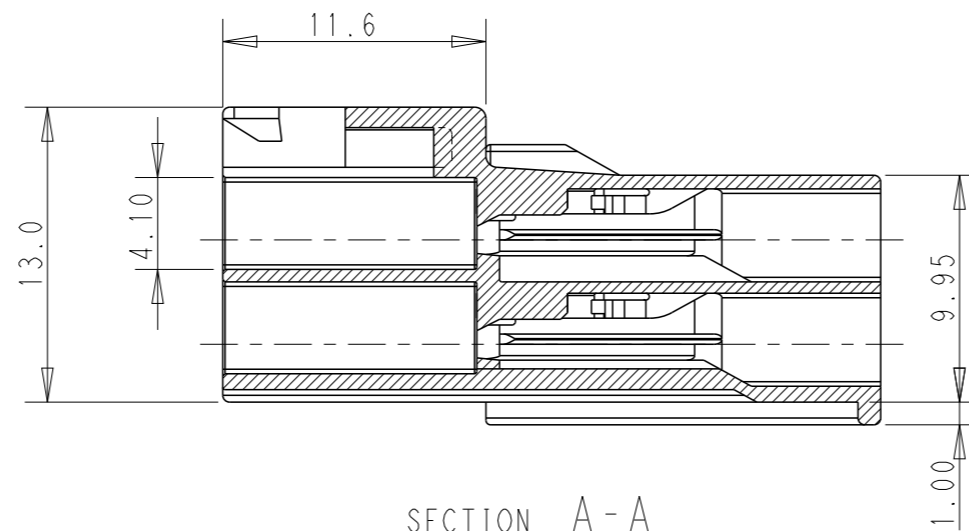
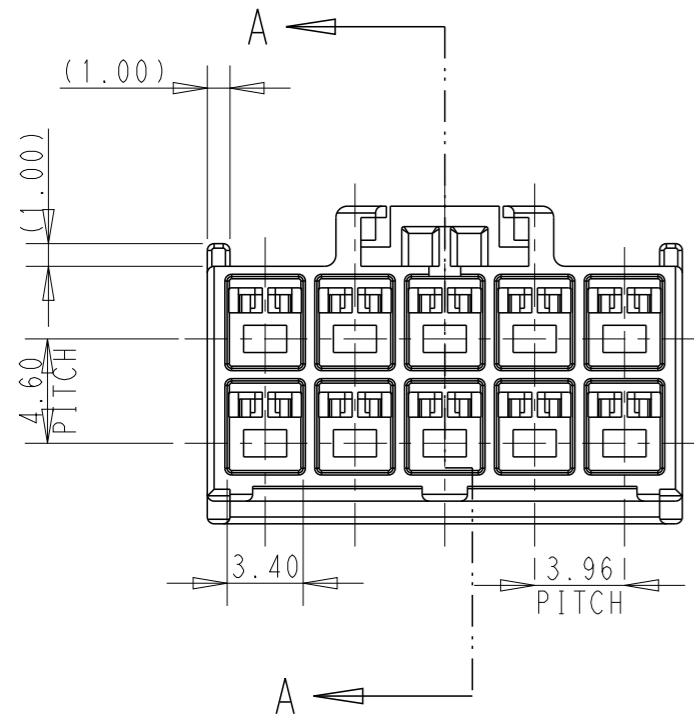


P	LTR	DESCRIPTION	DATE	DWN	APVD
	B	REVISED PER ECR-20-100642	19SEP2022	M.G	D.Z



NOTES:

- 1 APPLICABLE CONTACT P/N:
 TAB CONTACT: 175150-□ (20-16 AWG)
 175149-□ (26-22 AWG)
- 2 MATING CONN. P/N:
 PLUG HSG: 176277-□
 REC CONTACT: 175152-□ (20-16 AWG)
 175151-□ (26-22 SWG)
- 3 INSTRUCTION SHEET: IS-503J.



DISCONTINUED	BLACK	10	176288-9
DEVELOPMENT	BLUE	10	176288-6
DISCONTINUED	YELLOW	10	176288-4
	RED	10	176288-2
	NATURAL	10	176288-1
HOUSING COLOR	POSITION	PART NUMBER	

THIS DRAWING IS A CONTROLLED DOCUMENT.		DWN M. SHINDO 23NOV1989	TE Connectivity AMP UNIVERSAL POWER CONN. 3.96MM PITCH CAP HOUSING 10 POS (DBL ROW)	
DIMENSIONS: mm		CHK M. YOSHIDA 28NOV1989		
TOLERANCES UNLESS OTHERWISE SPECIFIED:		APVD N. ONOUE 28NOV1989		
0 PLC ±- 1 PLC ±0.25 2 PLC ±0.20 3 PLC ±- 4 PLC ±- ANGLES ±3° FINISH -		PRODUCT SPEC 108-5302		
MATERIAL 6/6 NYLON (UL94 V-0)		APPLICATION SPEC 114-5142	NAME	RESTRICTED TO
		WEIGHT -	SIZE A3	CAGE CODE 00779
		CUSTOMER DRAWING	DRAWING NO C-176288	SCALE 3:1
			SHEET 1 OF 1	REV B