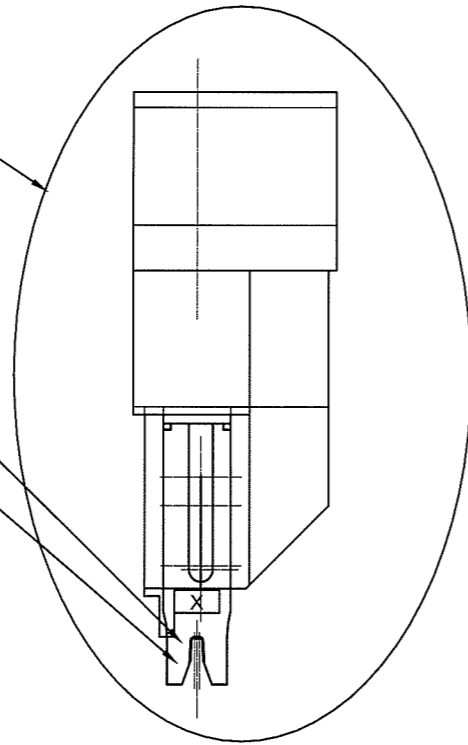


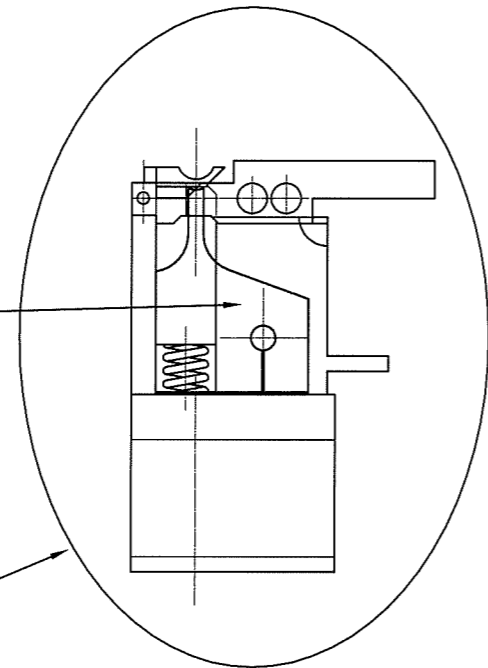
アッパーアッセイ (UPPER ASSY)
(P/N 2-1762448-3)
(SUPERSEDED By 2-1762905-3)

CRIMPER WIRE
(P/N 1762200-8)
CRIMPER INS
(P/N 1762222-8)



ANVIL INS
(P/N 1762291-8)

ローワーアッセイ (LOWER ASSY)
(P/N 1-1762448-0)
(SUPERSEDED By 1-1762905-0)



仕様 (Specifications)

- (1) 適用端子 : JST P/N SZH-002T-P0.5
(APPLICABLE TERMINAL)
- (2) 適用ワイヤー : UL10368(7/16)/AWG28
(APPLICABLE WIRE)
- (3) 圧着規格 : WIRE C/H ±0.05mm
(CRIMP SPEC) INSULATION C/H ±0.1mm
- (4) 外観寸法 : UPPER ASSY W27×H79×D23
(OVERALL) LOWER ASSY W40×H60×D30
- (5) 重量 : UPPER ASSY 0.15kg
(WEIGHT) LOWER ASSY 0.14kg

SUPERSEDED By 1762905-3

LOC
J
DIST

C	SUPERSEDED		17 JUN 05	K.M	S.Y	
B	REVISED		18 APR 05	K.M	S.Y	
A	RELEASED	FJCO-0048-05	7 FEB 05	K.M	S.Y	
P	LTR	REVISION RECORD	ECN	DATE	DWN	APVD

THIRD ANGLE PROJECTION.
DIMENSIONS IN MILLIMETERS.
DO NOT SCALE PRINT.

TOLERANCES UNLESS OTHERWISE SPECIFIED.

ANGLES ±0°30'

UP TO 6 ±0.1 120 TO 315 ±0.5
6 TO 30 ±0.2 315 TO 1000 ±0.8
30 TO 120 ±0.3 OVER 1000 ±1.2

REMOVE BURRS, BRAKE SHARP EDGES
R0.4 MAX.

MATERIAL		HEAT TREAT		FINISH	
---		---		---	
DR 7 FEB 05 K.MARUYAMA	APP 7 FEB 05 S. YABE	Tyco Electronics AMP K.K. Kawasaki, Japan			
CHK 7 FEB 05 K.MARUYAMA	REL 7 FEB 05 S. YABE				
名称 (NAME) (S2P1 APPLICATOR, JST SZH)					
JST SZH スマート2ピース1マイクロアプリケーション					
SCALE	SIZE	DRAWING NO		SHEET	REV
---	A3	1762448-3		1 OF 1	C