

4

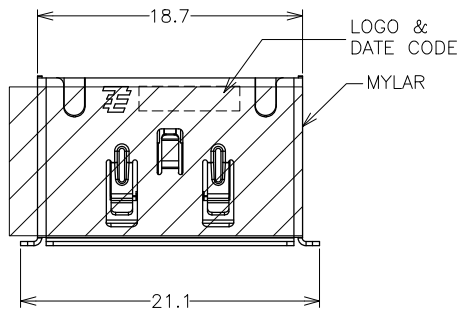
3

2

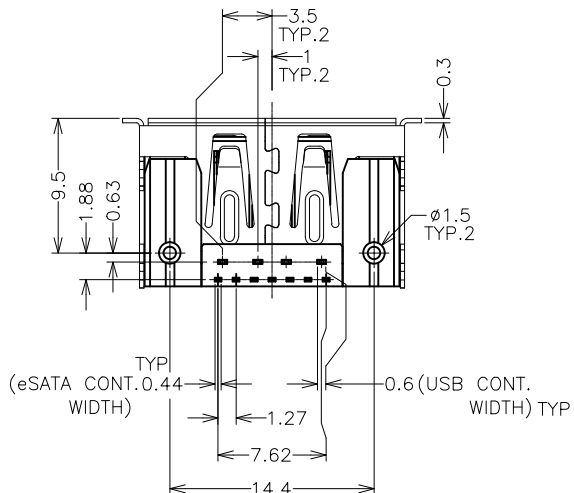
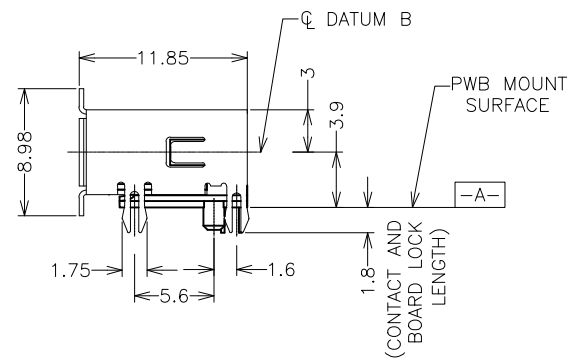
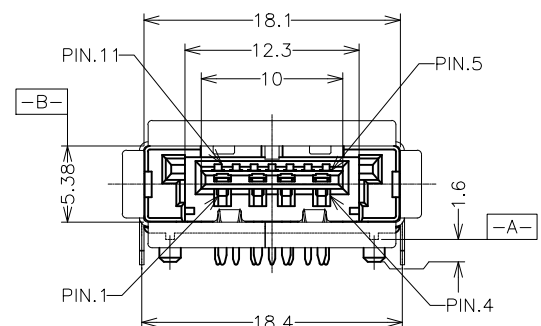
1

THIS DRAWING IS UNPUBLISHED. RELEASED FOR PUBLICATION
COPYRIGHT 2011 BY TYCO ELECTRONICS CORPORATION. ALL RIGHTS RESERVED.

LOC		DIST		REVISIONS			
P	LTR	DESCRIPTION		DATE	DWN	APVD	
	B1	REVISED (ECR-14-016025)		28OCT14	SW	SC	



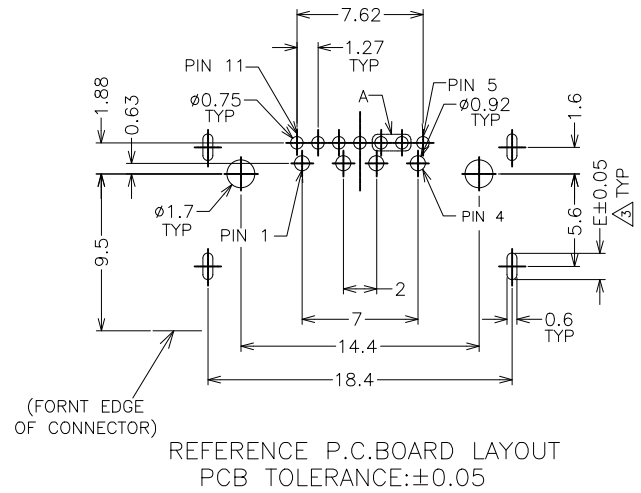
NOTES:
 1.MATERIAL:
 HOUSING: THERMOPLASTIC, HIGH TEMP, 30% G/F UL94 V-0
 COLOR:BLACK
 TINE PLATE: THERMOPLASTIC, HIGH TEMP, 30% G/F UL94 V-0
 COLOR:BLACK
 SHELL: COPPER ALLOY
 ESATA CONTACT: COPPER ALLOY
 USB CONTACT: COPPER ALLOY
 2.FINISH:
 CONTACT:GOLD PLATING ON CONTACT AREA (SEE TABLE)
 2.54μm MIN. MATTE-TIN PLATING ON SOLDERTAILS
 1.27μm MIN. NICKEL UNDERPLATING OVER ALL
 SHELL: 1.27μm MIN. NICKEL PLATING OVERALL
 EACH CUSTOMER CAN SELECT BOARDLOCK FUNCTION
 AVAILABLE OR UNAVAILABLE



0.76um	1759592-3
0.38um	1759592-2
0.08um	1759592-1
GOLD PLATING (MIN.)	PART NUMBER

THIS DRAWING IS A CONTROLLED DOCUMENT.		DWN M. CHAO	21JUL2008	STE TE Connectivity													
DIMENSIONS: mm		CHK H. KODAMA	21JUL2008														
TOLERANCES UNLESS OTHERWISE SPECIFIED:		APVD H. KODAMA	21JUL2008	NAME													
<table border="1"> <tr><td>0 PLC</td><td>±</td></tr> <tr><td>1 PLC</td><td>±</td></tr> <tr><td>2 PLC</td><td>±</td></tr> <tr><td>3 PLC</td><td>±</td></tr> <tr><td>4 PLC</td><td>±</td></tr> <tr><td>ANGLES</td><td>± 3'</td></tr> </table>		0 PLC	±	1 PLC	±	2 PLC	±	3 PLC	±	4 PLC	±	ANGLES	± 3'	PRODUCT SPEC 108-99116		eSATA / USB 2 IN 1, TOP MOUNT, R/A, DIP TYPE	
0 PLC	±																
1 PLC	±																
2 PLC	±																
3 PLC	±																
4 PLC	±																
ANGLES	± 3'																
MATERIAL SEE NOTE		WEIGHT		SIZE A3	CAGE CODE 00779												
FINISH SEE NOTE		CUSTOMER DRAWING		DRAWING NO C=1759592	RESTRICTED TO -												
				SCALE -	SHEET 1 of 3												
					REV B1												

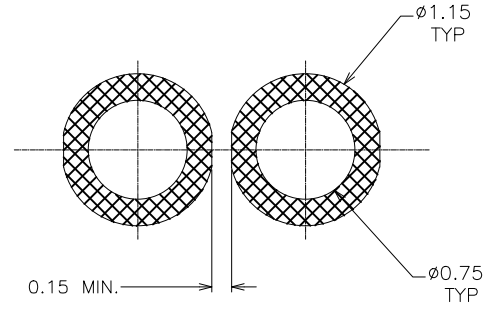
LOC	DIST	REVISIONS			
P	LTR	DESCRIPTION	DATE	DWN	APVD
		SEE SHEET 1.			



1.6	1.9
E	E
△ BOARDLOCK FUNCTION AVAILABLE	△ BOARDLOCK FUNCTION UNAVAILABLE

PIN DEFINITION

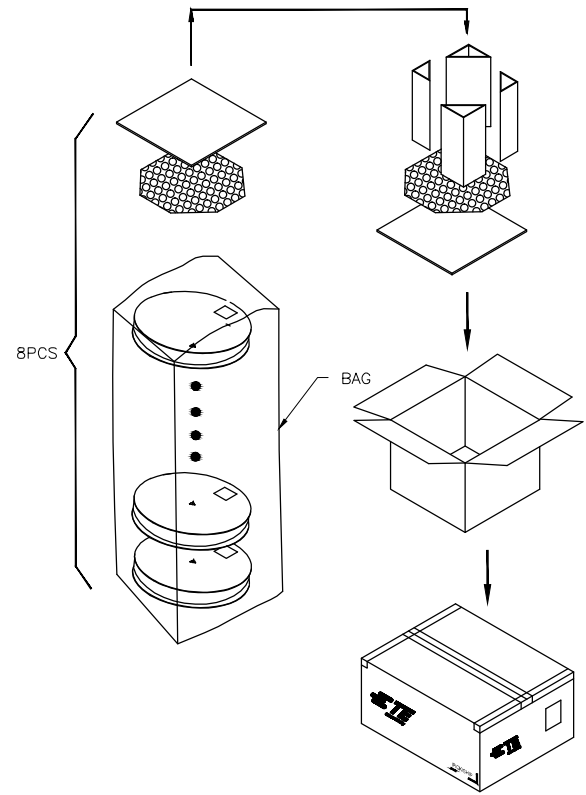
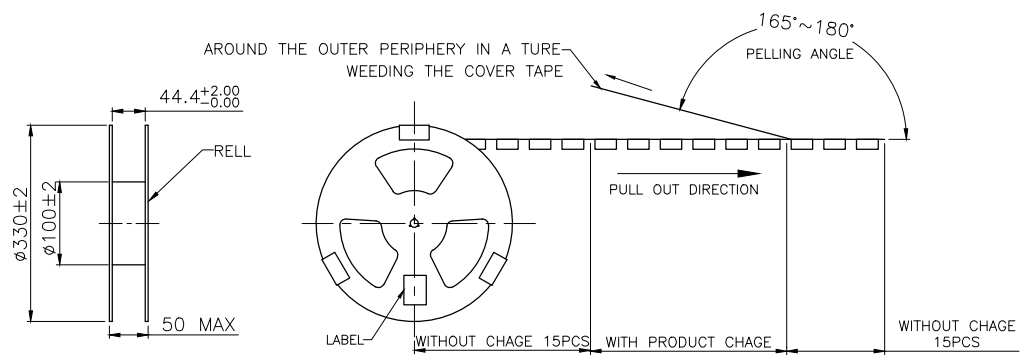
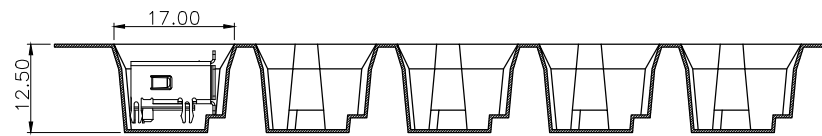
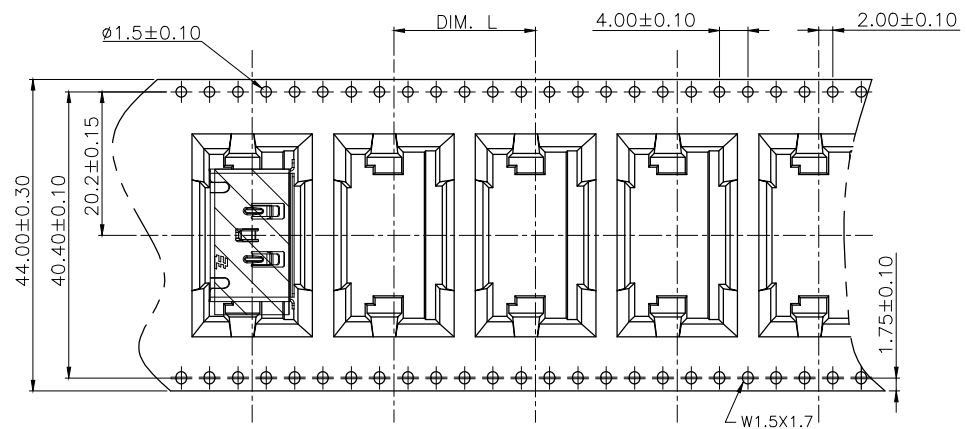
USB		ESATA	
NAME	TYPE	NAME	TYPE
P1	VBUS	P5	GND
P2	D-	P6	A+
P3	D+	P7	A-
P4	GND	P8	GND
		P9	B-
		P10	B+
		P11	GND



THIS DRAWING IS A CONTROLLED DOCUMENT.		DWN	STE TE Connectivity	
DIMENSIONS: mm		CHK		
TOLERANCES UNLESS OTHERWISE SPECIFIED:		APVD	NAME	
0 PLC ± -		PRODUCT SPEC	eSATA / USB 2 IN 1, TOP MOUNT, R/A, DIP TYPE	
1 PLC ± 0.3		APPLICATION SPEC	SIZE	CAGE CODE
2 PLC ± 0.2		WEIGHT	A3	00779
3 PLC ± 0.15		CUSTOMER DRAWING	DRAWING NO	
4 PLC ANGLES ± 3'		SCALE	C=1759592	
MATERIAL	FINISH	SHEET	RESTRICTED TO	
		2 OF 3	-	
		REV	B1	

THIS DRAWING IS UNPUBLISHED. RELEASED FOR PUBLICATION
 © COPYRIGHT 2011 BY TYCO ELECTRONICS CORPORATION. ALL RIGHTS RESERVED.

LOC		DIST		REVISIONS			
P	LTR	DESCRIPTION	DATE	DWN	APVD		
DW		SEE SHEET 1.					



- NOTES :
- MATERIAL :
 COVER TAPE : PS, COLOR: TRANSPARENT
 CARRIER TAPE : PET
 REEL : POLYSTYRENES
 CARTON : CORRUGATED FIBER
 - PEELING SPEED : 300mm/MINUTES
 - PEELING RESISTANCE : 20g~130g
 - DIMENSION :
 REEL : SEE DRAWING
 CARTON : L=345, W=345, H=415

CARRIER TAPE COLOR	DIM. L	GROSS WEIGHT	NET WEIGHT	PCS/REEL	REEL/CARTON	PCS/CARTON	PART NUMBER
BLACK	20	9.2 KG	4.76 KG	250 PCS	8 PCS	2000 PCS	1759592-3 1759592-2
TRANSPARENT	24	8.25 KG	3.80 KG	200 PCS	8 PCS	1600 PCS	1759592-1

THIS DRAWING IS A CONTROLLED DOCUMENT.

DIMENSIONS: mm	TOLERANCES UNLESS OTHERWISE SPECIFIED: 0 PLC ± - 1 PLC ± 0.3 2 PLC ± 0.2 3 PLC ± 0.15 4 PLC ANGLES ± - ± 3'	TE Connectivity eSATA / USB 2 IN 1, TOP MOUNT, R/A, DIP TYPE			
MATERIAL	FINISH	SIZE A3	CAGE CODE 00779	DRAWING NO C=1759592	RESTRICTED TO
CUSTOMER DRAWING		SCALE	SHEET 3 OF 3	REV B1	