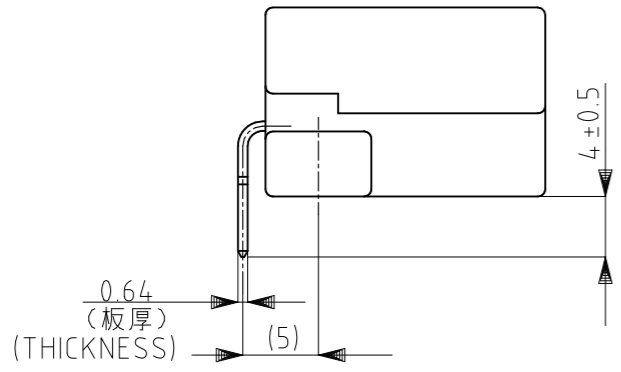
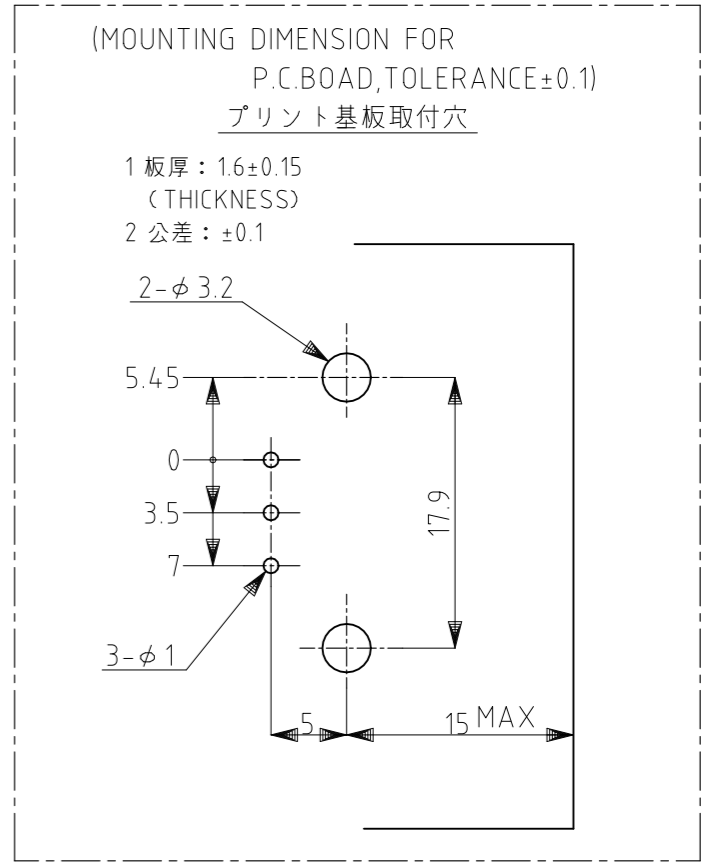
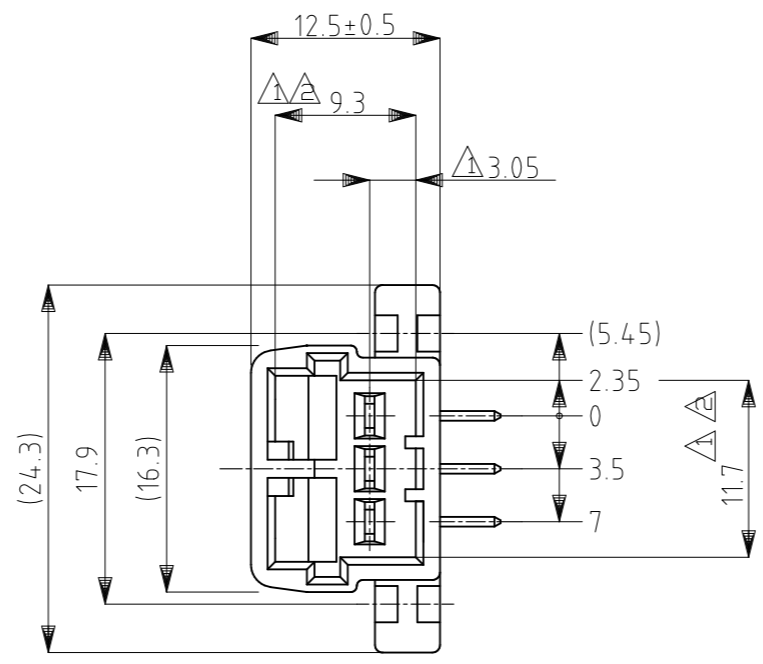
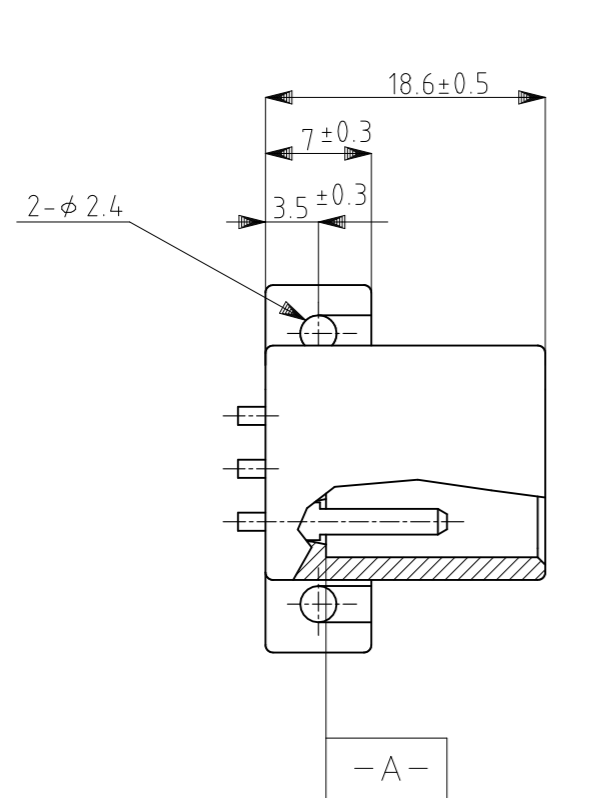


| REVISIONS 変更 | | | | | |
|-----------------|-----|---------------------------|-----------|-----|------|
| P | LTR | DESCRIPTION | DATE | DWN | APVD |
| | D8 | REVISED PER ECR-22-154022 | 30NOV2022 | RK | MT |



| | | | | | | |
|----------|--------------------|-------------|-------------------------|------------------------|----------|------------------|
| | CARTON BOX | PVC TUBE | SELECTIVE-TIN (MATTE) | SELECTIVE GOLD | WHITE | 5175781-2 |
| OBSOLETE | CARTON BOX | AIR CAP BAG | SELECTIVE-TIN | PRE-TIN | WHITE | 3-175781-1 |
| OBSOLETE | CARTON BOX | PVC TUBE | PRE-TIN | WHITE | 175781-4 | |
| OBSOLETE | CARTON BOX | PVC TUBE | SELECTIVE-TIN (MATTE) | SELECTIVE-TIN (BRIGHT) | WHITE | 175781-3 |
| | CARTON BOX | PVC TUBE | TIN-LEAD | SELECTIVE GOLD | WHITE | 175781-2 |
| | CARTON BOX | AIR CAP BAG | PRE-TIN | WHITE | 175781-1 | |
| | OUTER 外装 | INNER 内装 | SOLDERING SIDE 半田付け側 | CONTACT SIDE 接触部側 | COLOR 色 | PART NUMBER 製品型番 |
| | PACKING STYLE 梱包形態 | | CONTACT FINISH コンタクト仕上げ | | | |

- ① [-A-] 面より2mmの範囲で測定。
- ② 相手ハウジング (型番: 174921) と所定の機能を満たして嵌合できること。
- 3. プリント基板への取付けは、JIS-B1115 又は 1122, M3×6ナベ (2種又は4種) のタッピングネジで締め付けた後ハンダ付けする。(締め付けトルク; 0.392N-m以下)

- ① MUST BE KEPT BETWEEN [-A-] AND 2
- ② TO MATE WITH PLUG HOUSING (PN 174921) SMOOTHLY.
- 3. RECOMMEND MOUNTING SCREW; M3×6 PAN HEAD, CLASS 2 TAPPING SCREW SPECIFIED IN JIS B1115, B1122 (TIGHTENING TORQUE; 0.392N-m MAX)

TOLERANCE UNLESS OTHERWISE SPECIFIED:
一般公差

| | |
|--------------|---------|
| 0 < x ≤ 10 | : ±0.2 |
| 10 < x ≤ 30 | : ±0.25 |
| 30 < x ≤ 100 | : ±0.3 |
| ANGLE ; 角度 | : ±3° |

THIS DRAWING IS A CONTROLLED DOCUMENT.

| | | | |
|--|---|----------------------------------|---|
| DIMENSIONS: 単位: 耗 mm | TOLERANCES UNLESS OTHERWISE SPECIFIED: 一般公差 | DWN T.SHINOHARA 27DEC04 | TE Connectivity |
| | 0 PLC ±- 1 PLC ±- 2 PLC ±- 3 PLC ±- 4 PLC ±- ANGLES ±- | CHK K.BETSUI 27DEC04 | |
| | | APVD K.BETSUI 27DEC04 | |
| | | PRODUCT SPEC 製品規格 108-5216 | |
| MATERIAL 材料 HSG; PBT TAB; BRASS | FINISH 仕上 - | APPLICATION SPEC 取付適用規格 - | NAME 名称 070 SERIES MULTI-LOCK CONNECTOR 3POSITION CAP HOUSING ASSEMBLY (W-B, H-TYPE) |
| | | WEIGHT - | SIZE A3 |
| | | CAGE CODE 00779 | |
| | | DRAWING NO C-175781 | |
| | | RESTRICTED TO - | |
| | | CUSTOMER DRAWING | |
| | | SCALE 尺度 2:1 | SHEET 1 OF 1 |
| | | REV D8 | |