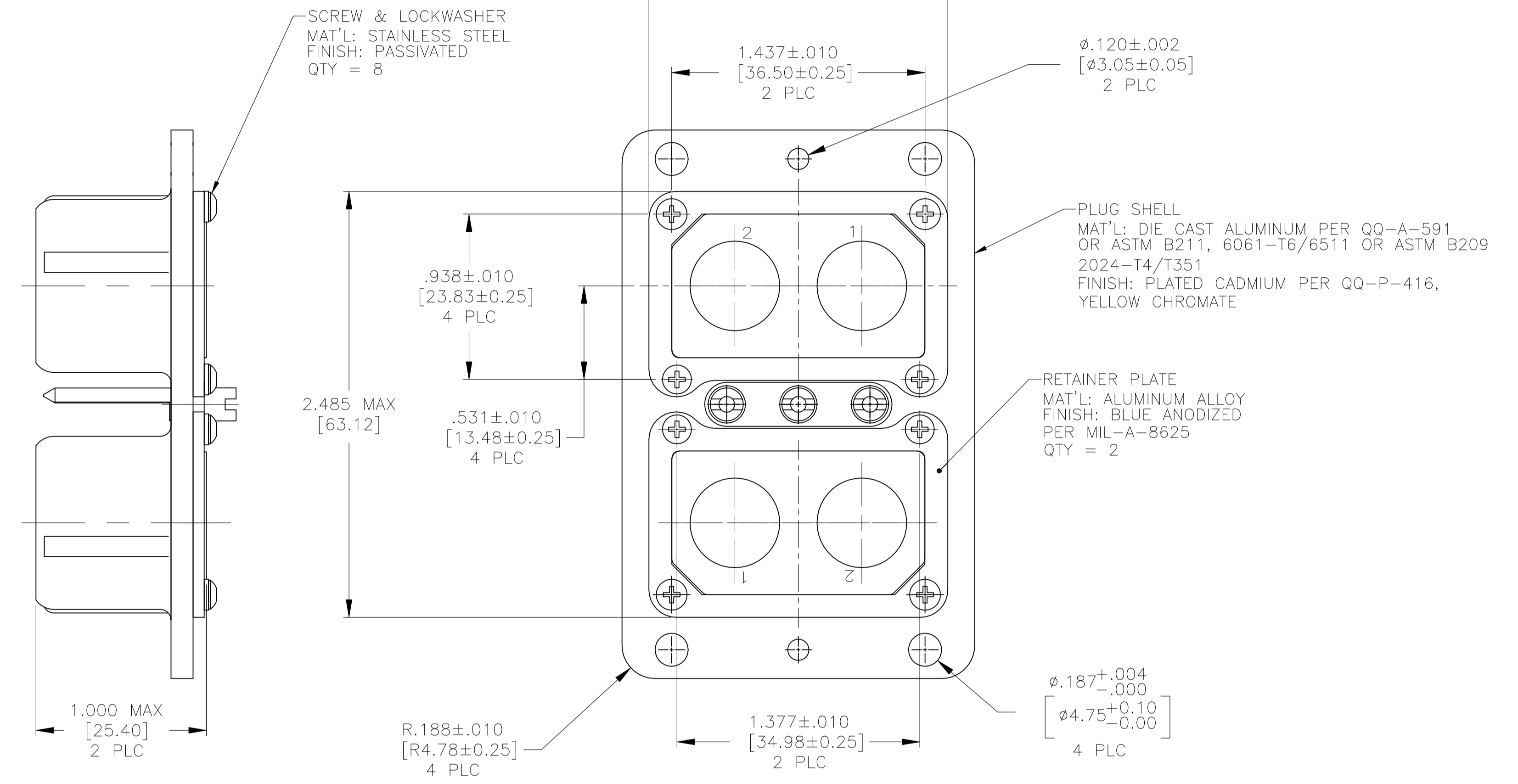
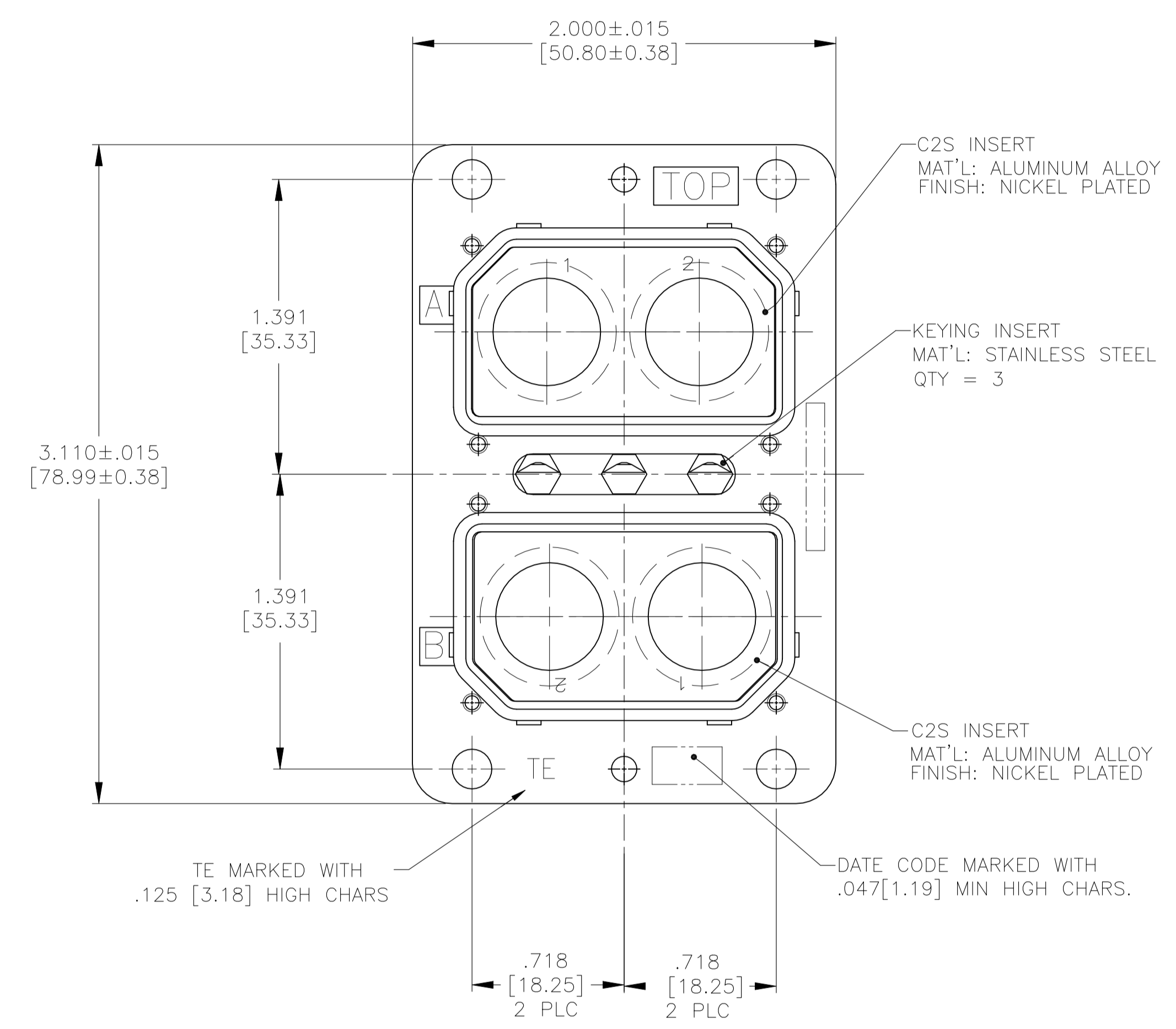


REVISIONS					
P	LTR	DESCRIPTION	DATE	BYN	APVD
F		REV PER ECO 20-015430	5-24-21	CT	RL



- CONNECTOR DIMENSIONS ARE PER ARINC 404 SPECIFICATION.
- KEYING SHOWN IN POSITION "01" FOR ILLUSTRATION ONLY. CONNECTORS SHIPPED WITH KEYING INSTALLED IN POSITION PER TABLE. FOR POSITION "00" KEYING HARDWARE SHIPPED UNASSEMBLED.

"02"	1757677-2
"01"	1757677-1
KEYING POSITION	PART NO.

THIS DRAWING IS A CONTROLLED DOCUMENT.

DIMENSIONS: INCHES	TOLERANCES UNLESS OTHERWISE SPECIFIED:	DIN C.C.THOMAS 1-27-05	APVD LARRY OH 1-27-05
0 PLC ± -	1 PLC ± -	2 PLC ± -	3 PLC ± .005 [0.13]
4 PLC ± -	ANGLES ± -	NAME: LARRY OH 1-27-05	
MATERIAL	FINISH	SIZE: A1	CAGE CODE: 00779
		WEIGHT: 0.000000	DRAWING NO: 1757677
		CUSTOMER DRAWING	SCALE: 2:1 SHEET 1 OF 1 REV F

STE TE Connectivity
 NAME: PLUG ASSY,ARINC 404,R2PC2SC2S-46XX (201)
 APPLICATION SPEC: -
 RESTRICTED TO: -