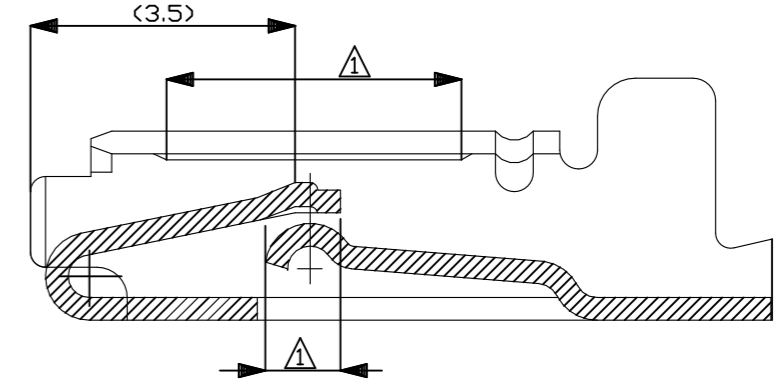
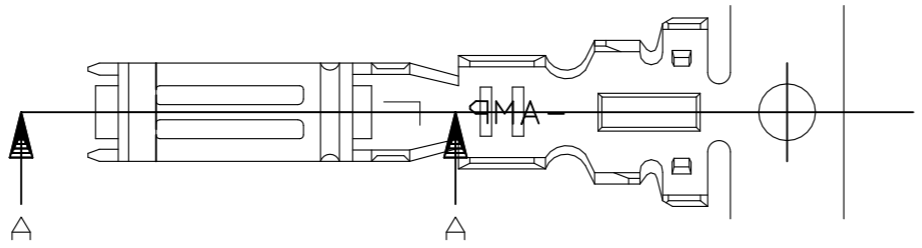
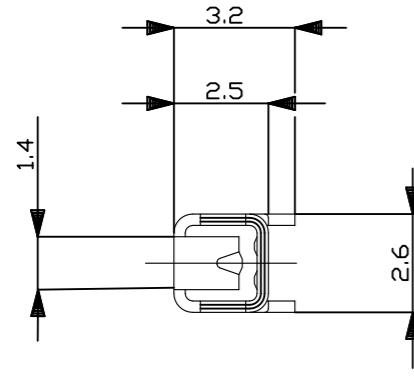
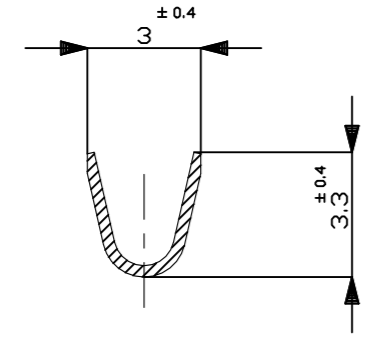


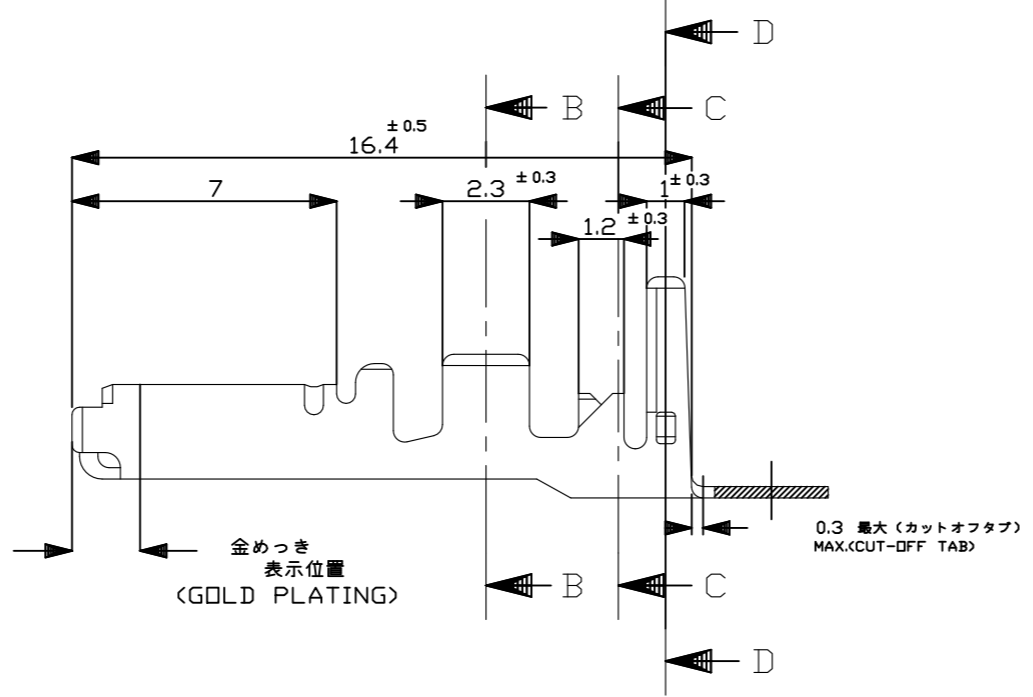
P	LTR	DESCRIPTION	DATE	DWN	APVD
A1		REVISED PER ECR-23-165252	01FEB2023	RK	MT



SECT.
断面 A-A
尺度: 10-1
SCALE

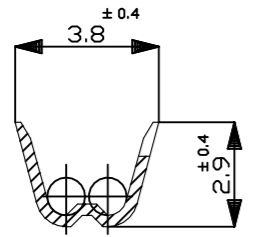


SECT.
断面 B-B

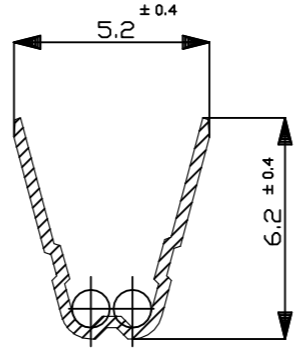


金めっき
表示位置
(GOLD PLATING)

0.3 最大 (カットオフタブ)
MAX. CUT-OFF TAB



SECT.
断面 C-C



SECT.
断面 D-D

注;
△ 部分金めっき
2 圧着規格: 114-5156

NOTE;
△ SELECTIVE GOLD
2 APPLICATION SPEC; 114-5156

OBsolete	部分金めっき (SELECTIVE GOLD PLATING)	175221-2
	錫めっき済 (PRE-TINNED)	175221-1
	仕上げ (FINISH)	製品型番 (PART NO.)

THIS DRAWING IS A CONTROLLED DOCUMENT.

DIMENSIONS:	TOLERANCES UNLESS OTHERWISE SPECIFIED:
mm	
	0 PLC ± -
	1 PLC ± -
	2 PLC ± -
	3 PLC ± -
	4 PLC ± -
	ANGLES ± -
	FINISH ± -

MATERIAL: KLF-5 板厚: 0.3 (THICKNESS)

DWN	Y. FUJIMORI	5/31'91
CHK	P. AOYAMA	5/31'91
APVD	M. OSTUMS	5/31'91
PRODUCT SPEC		
APPLICATION SPEC		
WEIGHT	-	

NAME		.070 SERIES RECEPTACLE CONTACT FOR THIN INS. WIRE	
SIZE	CAGE CODE	DRAWING NO	RESTRICTED TO
A3	00779	C-175221	-
CUSTOMER DRAWING		SCALE	SHEET
		5:1	1 OF 1
		REV	A1

電線範囲 (WIRE RANGE)	被覆外径 (INSULATION DIA.)	一般公差 (GENERAL TOLERANCES)
0.5-1.25mm (AWG#20-#16)	1.2-2.2 mmφ	0 < * ≤ 10 : ±0.2 10 < * ≤ 30 : ±0.25 30 < * ≤ 100 : ±0.3 角度 (ANGLES) : ±3°