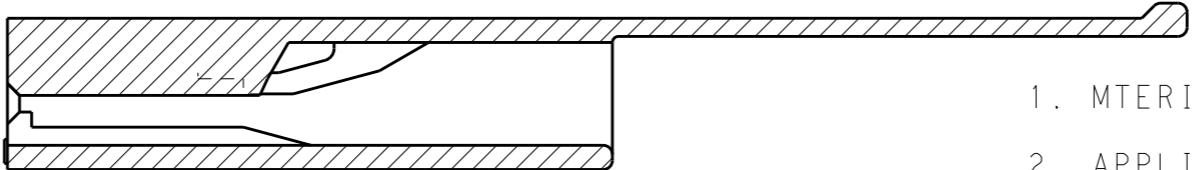
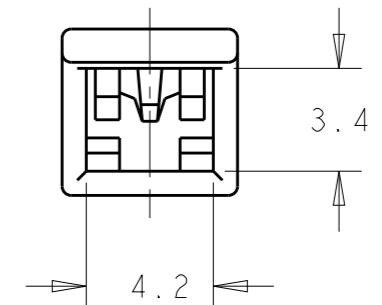
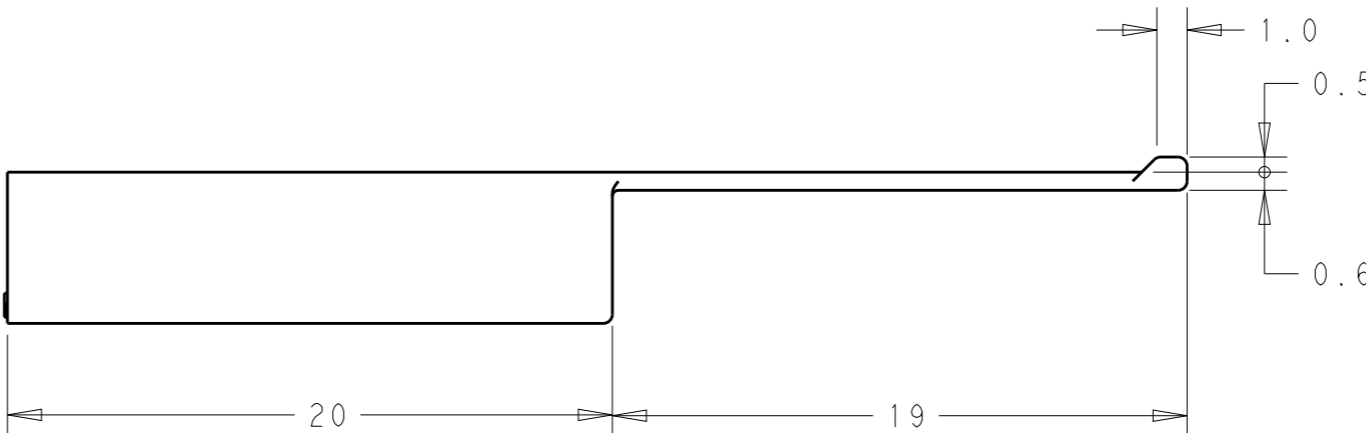
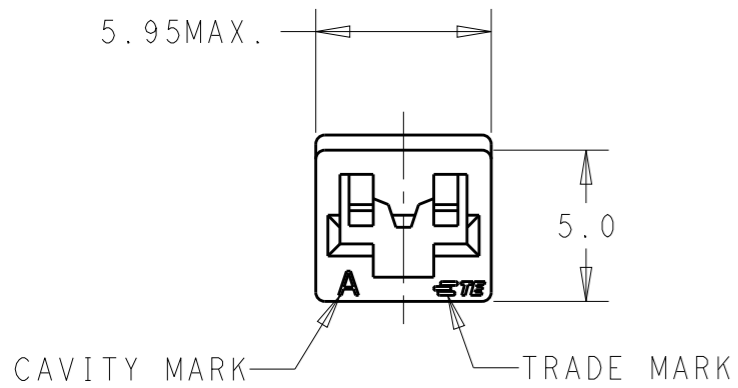
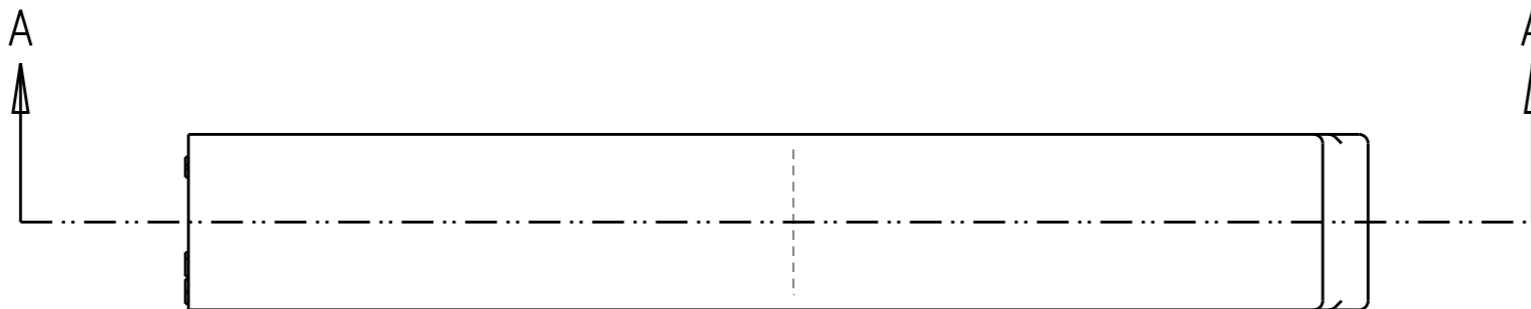


THIS DRAWING IS UNPUBLISHED. RELEASED FOR PUBLICATION 2017
 © COPYRIGHT 2017 BY - ALL RIGHTS RESERVED.


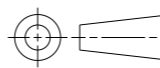
REVISIONS					
P	LTR	DESCRIPTION	DATE	DWN	APVD
	C	REVISED PER ECR-18-001822	06FEB2018	K.S	T.D



A - A

1. MATERIAL: 6/6NYLON UL94V-2
2. APPLICABLE CONTACT P/N:
S.T P/N: 175411-1, 174777-1
L.P P/N: 175412-1, 174778-1
3. APPLICABLE EXTRACTION TOOL P/N: 724659-4

6/6 NYLON	NATURAL	174779-1
MATERIAL	COLOR	PART No.

THIS DRAWING IS A CONTROLLED DOCUMENT.		DWN K.SAKAI 06FEB2018	 TE Connectivity		
DIMENSIONS:		CHK TIM DING 06FEB2018			
		APVD TIM DING 06FEB2018			
TOLERANCES UNLESS OTHERWISE SPECIFIED:		PRODUCT SPEC 108-5252			
0 PLC ±0.25 1 PLC ±0.2 2 PLC ± 3 PLC ± 4 PLC ± ANGLES ±3°		APPLICATION SPEC 411-5397	NAME 110 SERIES POSITIVE LOCK MARK-II 1Pos. REC. HOUSING		
MATERIAL SEE TABLE		FINISH -	WEIGHT 0.47g	SIZE A3	CAGE CODE 00779
CUSTOMER DRAWING			DRAWING NO 174779	RESTRICTED TO -	
			SCALE 4:1	SHEET 1 OF 1	REV C