

LOC	DIST	REVISIONS 変更					
J	-	P	LTR	DESCRIPTION	DATE	DWN	APVD
		A		REVISED ECR-07-007987	05APR'07	J.S	S.M

3/5極 型番 5-1747511-1,7-1747511-1は、  
図面番号 1747072のシート 2 OF 2 参照

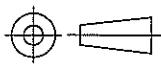

FOR 3/5P P/N 5-1747511-1,  
7-1747511-1 SEE DWG 1747072  
SHEET 2 OF 2

THIS DRAWING IS UNPUBLISHED.

RELEASED FOR PUBLICATION

ALL RIGHTS RESERVED.

© COPYRIGHT - BY TYCO ELECTRONICS CORPORATION.

DIMENSIONS: 単位: 耗 mm  TOLERANCES UNLESS OTHERWISE SPECIFIED: 一般公差  0 PLC ± - 1 PLC ± - 2 PLC ± - 3 PLC ± - 4 PLC ± - ANGLES ± -  	DWN T.HATANO 09JUN2004	MATERIAL 材料	FINISH 仕上
	CHK A.OISHI 09JUN2004	 Tyco Electronics AMP K.K. Kawasaki, Japan	
	APVD N.YAMASAKI 09JUN2004	NAME 名称 GRACE INERTIA CONNECTOR 2.5 ON TAPE HDR SPECIAL	
	PRODUCT SPEC 製品規格 APPLICATION SPEC 取付適用規格	SIZE A4	CAGE CODE 00779
WEIGHT	CUSTOMER DRAWING		RESTRICTED TO -
		SCALE 尺度 NONE	SHEET 1 OF 1 REV A