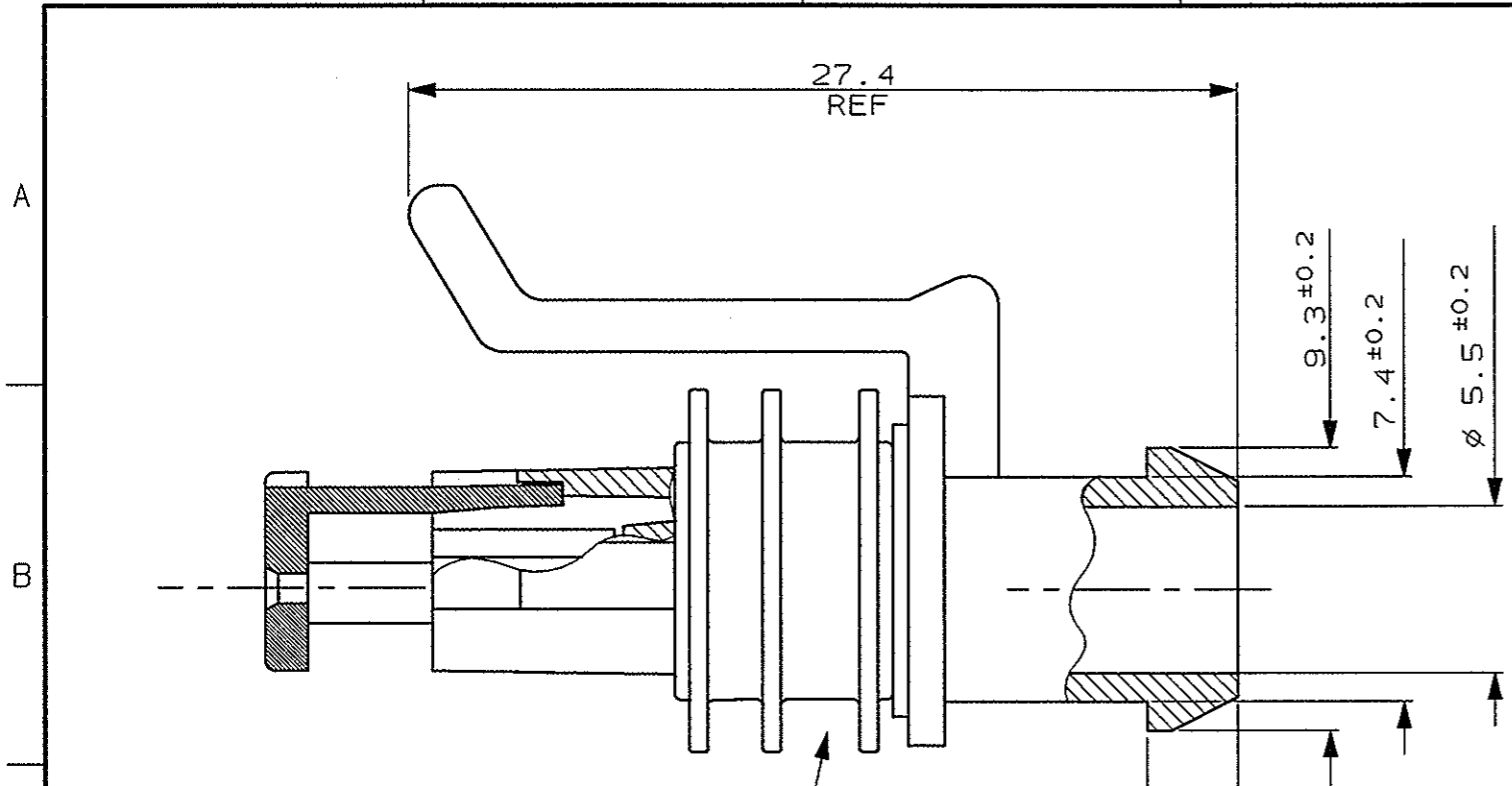


SCALA NON IMPEGNATIVA
(DO NOT SCALE)
DIMENSIONI IN
(DIMENSIONS IN) mm

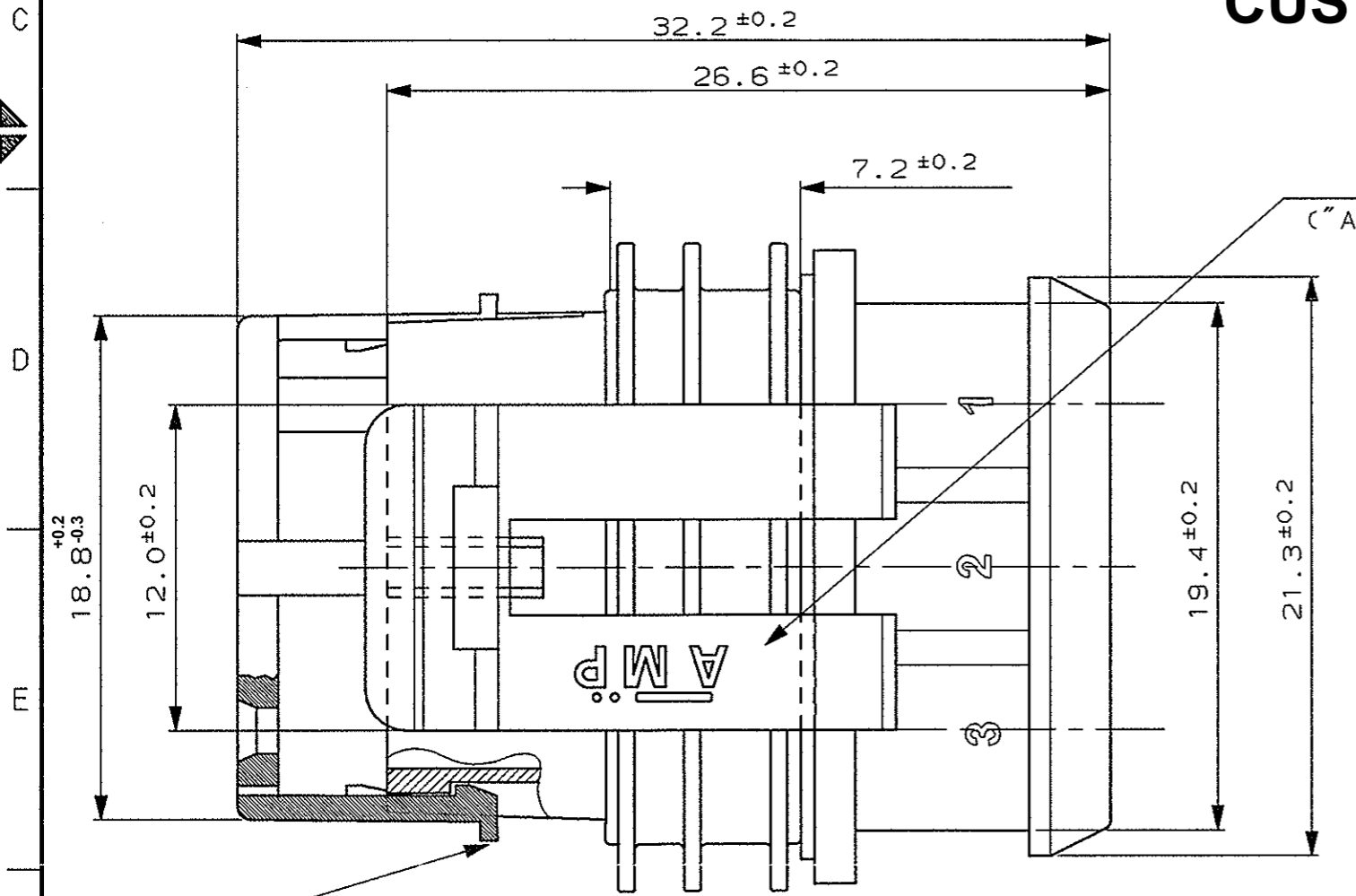
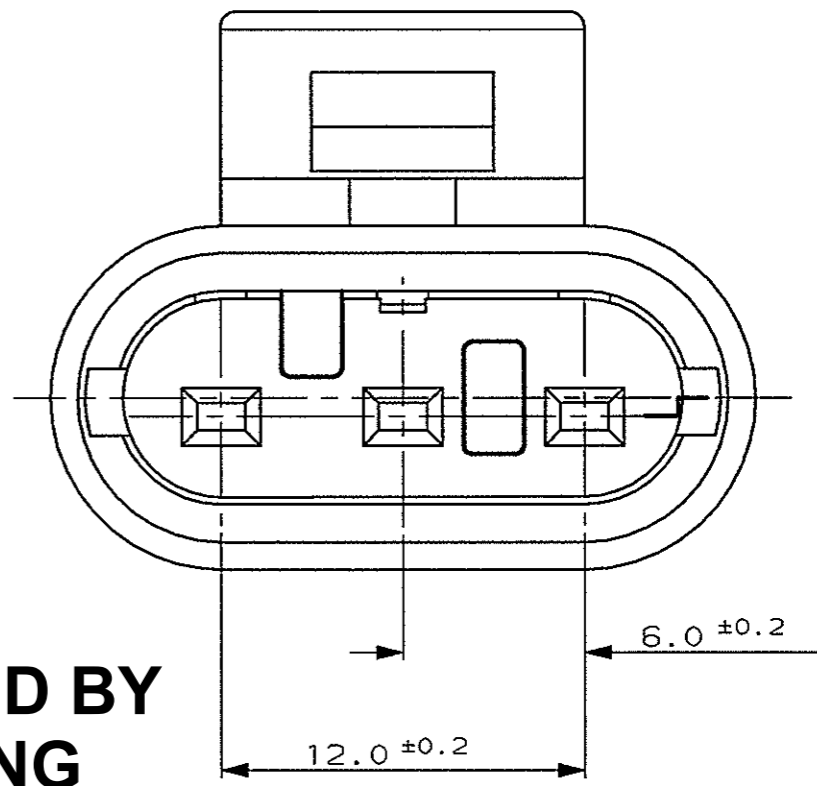
METRIC

PROIEZIONE EUROPEA
(EUROPEAN PROJECTION)



GUARNIZIONE, GOMMA SILICONICA
(GASKET, SILICONE RUBBER)

**DRAWING IS REPLACED BY
CUSTOMER DRAWING
282087**



LOGO "AMP"
("AMP" TRADE MARK)

1) PER RAPPRESENTAZIONE DIMA CONTROPARTE
VEDERE FOGLIO 2 DI 2.
(FOR COUNTERPART DETAIL SEE SHEET 2 OF 2)

AGGANCIAMENTO SECONDARIO, COLORE BIANCO, PRE-ASSEMBLATO
(SECONDARY LOCK, COLOUR WHITE, IN PRE-ASSEMBLED POSITION)

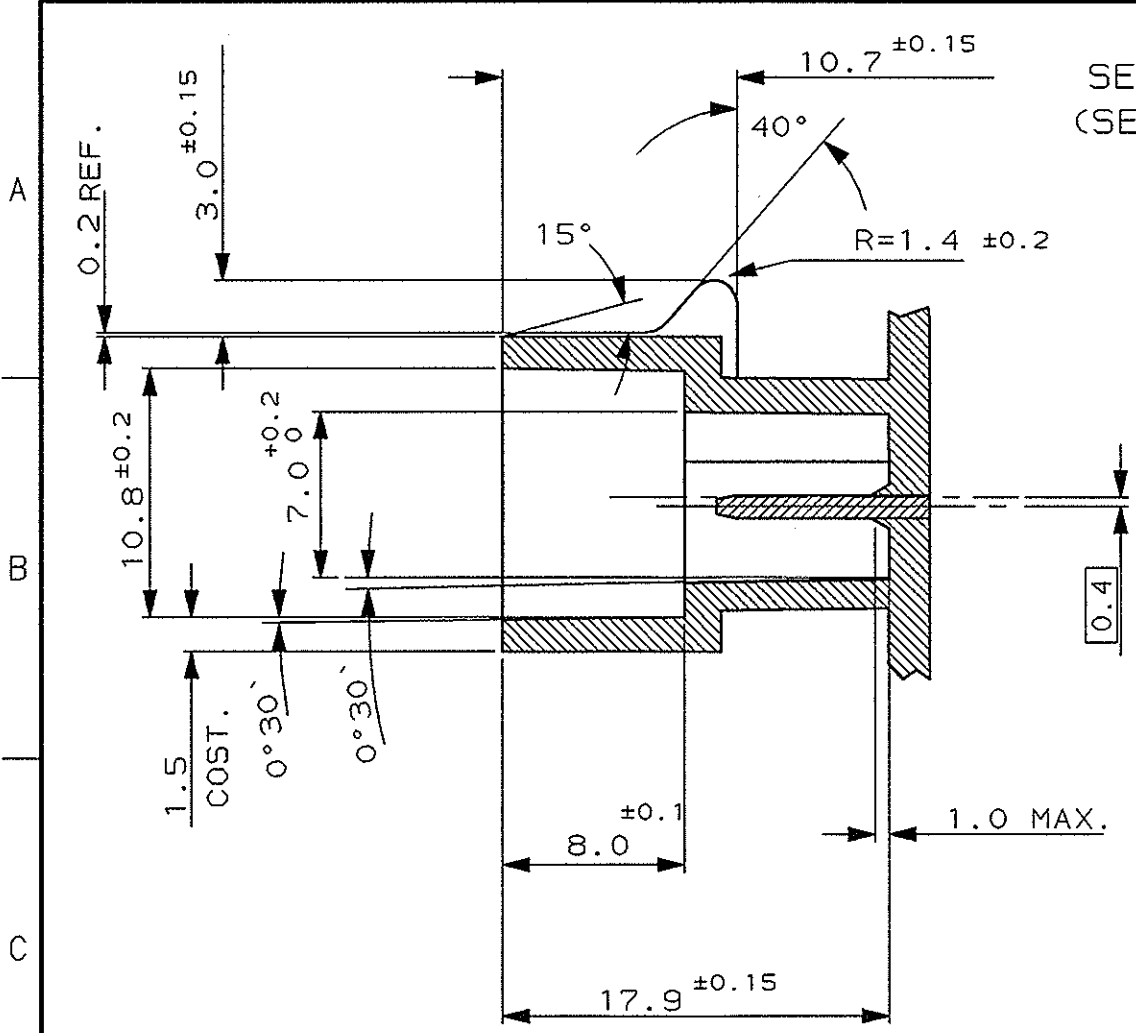
BIANCO (WHITE)		PA 6.6 - GF20%	1745083-1	
FINITURA / COLORE (FINISH / COLOUR)		ACC. TO IEC 60335-1	NUMERO (PART NUMBER)	
MATERIALE (MATERIAL)		CUSTOMER DWG. FOR REFERENCE ONLY		
DISEGNO PER CLIENTE SOLO PER RIFERIMENTO		19		
THIS DRAWING IS UNPUBLISHED		RELEASE FOR PUBLICATION		
© COPYRIGHT 19 BY AMP INCORPORATED, HARRISBURG, PA. ALL INTERNATIONAL RIGHT RESERVED. AMP PRODUCTS MAY BE COVERED BY U.S. AND FOREIGN PATENT AND/OR PATENT PENDING				
TOLLERANZE: SE NON DIVERSAMENTE SPECIFICATO		DIAM. ISOLANTE (INS. DIA. RANGE)	RANGO FILO (WIRE RANGE)	SCALA (SCALE)
(TOLERANCES, UNLESS OTHERWISE SPECIFIED)		-	-	-
± 0.3		TE Connectivity		
ANGOLI (ANGLES)		± 2°		
A3 REVISED PER ECO-19-017338		VN 15NOV19	DIS. (DR.) 10-4-2006	
A2 REVISED PER ECO-18-010704		VN 06JUL18	M. PALMA	
A1 RELEASED FOR PRODUCTION (ECR-06-028933)		M.G. 18-12-06	DESCRIZIONE (DESCRIPTION) 3 POS. PLUG ASS'Y	
A FIRST ISSUE		M.P. 10-4-06	AMP SUPERSEAL 1.5 SERIES CONN.	
REV. (REV. NO.)		DIS. DATA (DR) (DATE)	LOC. SIZE NUMERO (DWG NO)	REV. FOGLIO (SHEET)
REVISIONI (REVISION RECORD)		APP. (APP.)	I A3 C-1745083	A3 1 DI 2

DISTRIBUZIONE
(PRINT DIST.)

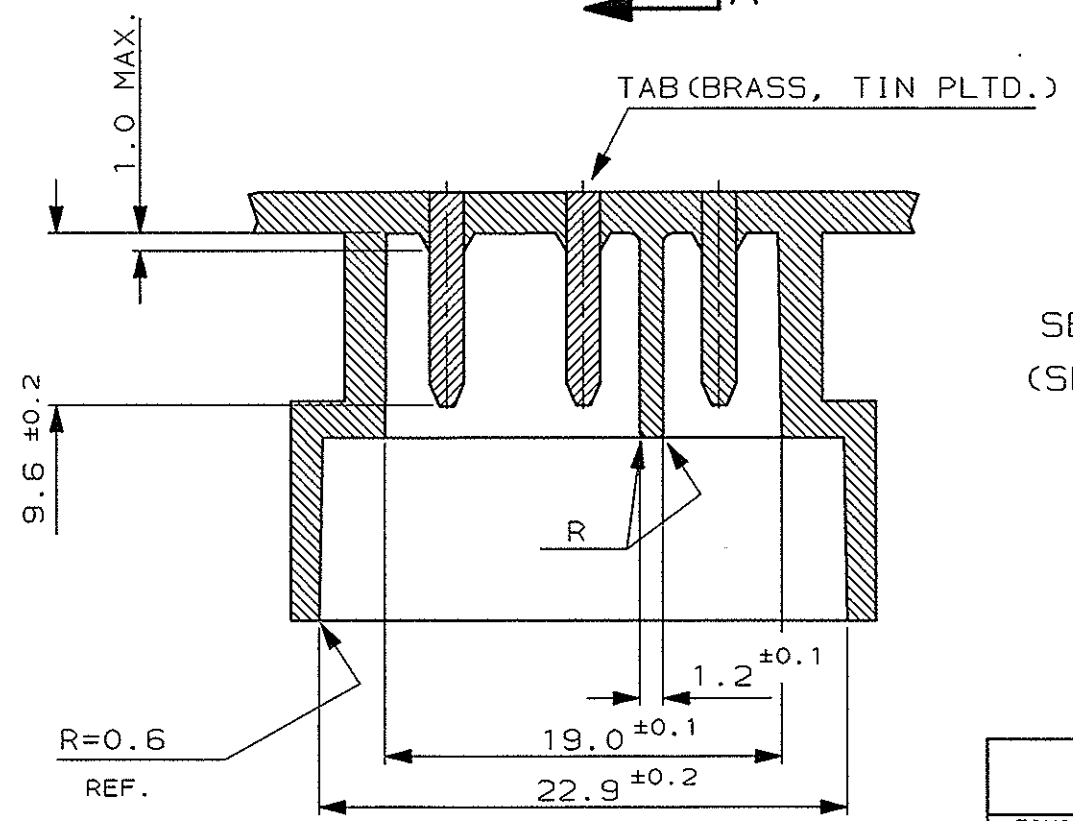
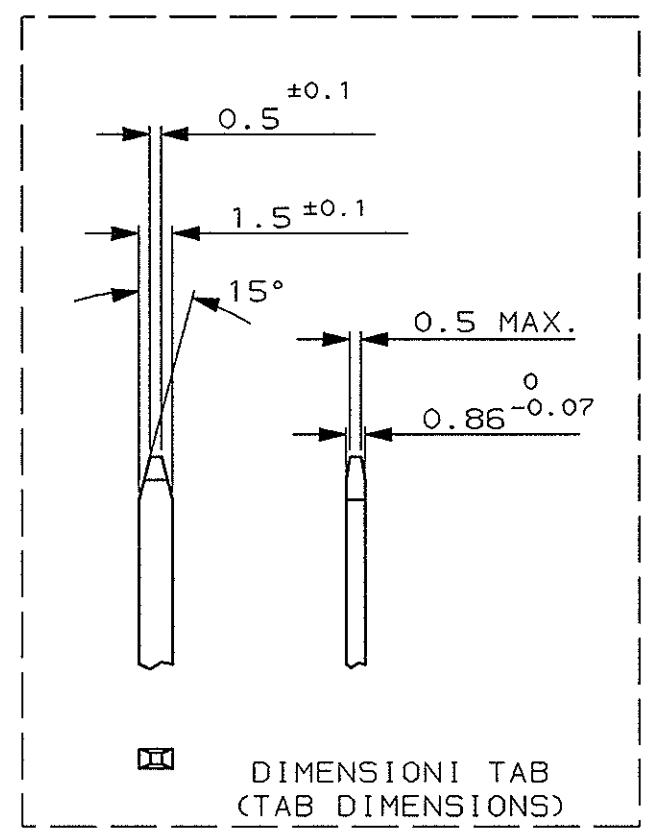
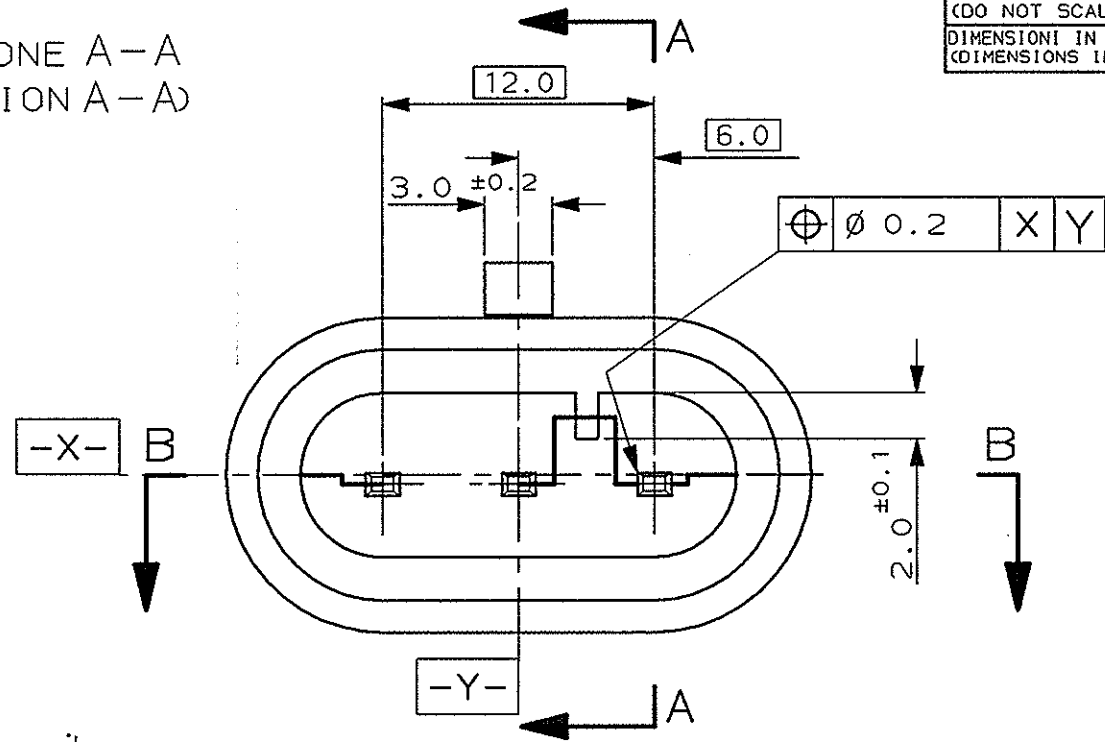
SCALA NON IMPEGNATIVA
(DO NOT SCALE)
DIMENSIONI IN mm
(DIMENSIONS IN mm)

METRIC

PROIEZIONE EUROPEA
(EUROPEAN PROJECTION)



SEZIONE A-A
(SECTION A-A)



SEZIONE B-B
(SECTION B-B)

**DRAWING IS REPLACED BY
CUSTOMER DRAWING
282087**

RAPPRESENTAZIONE DIMA CONTROPARTE
(COUNTERPART DETAIL AS SHOWN)

FINITURA / COLORE (FINISH / COLOUR)		PA 6.6 - GF FILLED ACC.TO IEC 60335-1	MATERIALE (MATERIAL)		NUMERO (PART NUMBER)
CUSTOMER DWG. FOR REFERENCE ONLY			DISEGNO PER CLIENTE SOLO PER RIFERIMENTO		
THIS DRAWING IS UNPUBLISHED		RELEASE FOR PUBLICATION		19	
© COPYRIGHT 19 BY AMP INCORPORATED, HARRISBURG, PA. ALL INTERNATIONAL RIGHT RESERVED. AMP PRODUCTS MAY BE COVERED BY U.S. AND FOREIGN PATENT AND/OR PATENT PENDING					
TOLLERANZE, SE NON DIVERSAMENTE SPECIFICATO (TOLERANCES, UNLESS OTHERWISE SPECIFIED)		DIAM. ISOLANTE (INS. DIA. RANGE)	RANGO FILO (WIRE RANGE)	SCALA (SCALE)	
± 0.3		-	-	-	
ANGOLI (ANGLES)		± 2°			
DIS. (DR.)		10/4/2006		DESCRIZIONE (DESCRIPTION)	
M. PALMA		3 POS. PLUG ASS'Y AMP SUPERSEAL 1.5 SERIES CONN.			
VEDERE FOGLIO 1 DI 2 (SEE SHEET 1 OF 2)		CONT. (CHK)		LOC. SIZE NUMERO (DWG NO)	
R. MARTINI		10/4/2006		REV. FOGLIO (SHEET)	
APP. (APP.)		10/4/2006		A3 2	
REV. (REV.)		DIS. DATA (DR)		APP. (APP.)	
A. GENTA		I A3		C-1745083 A3 2	

DISTRIBUZIONE
(PRINT DIST.)