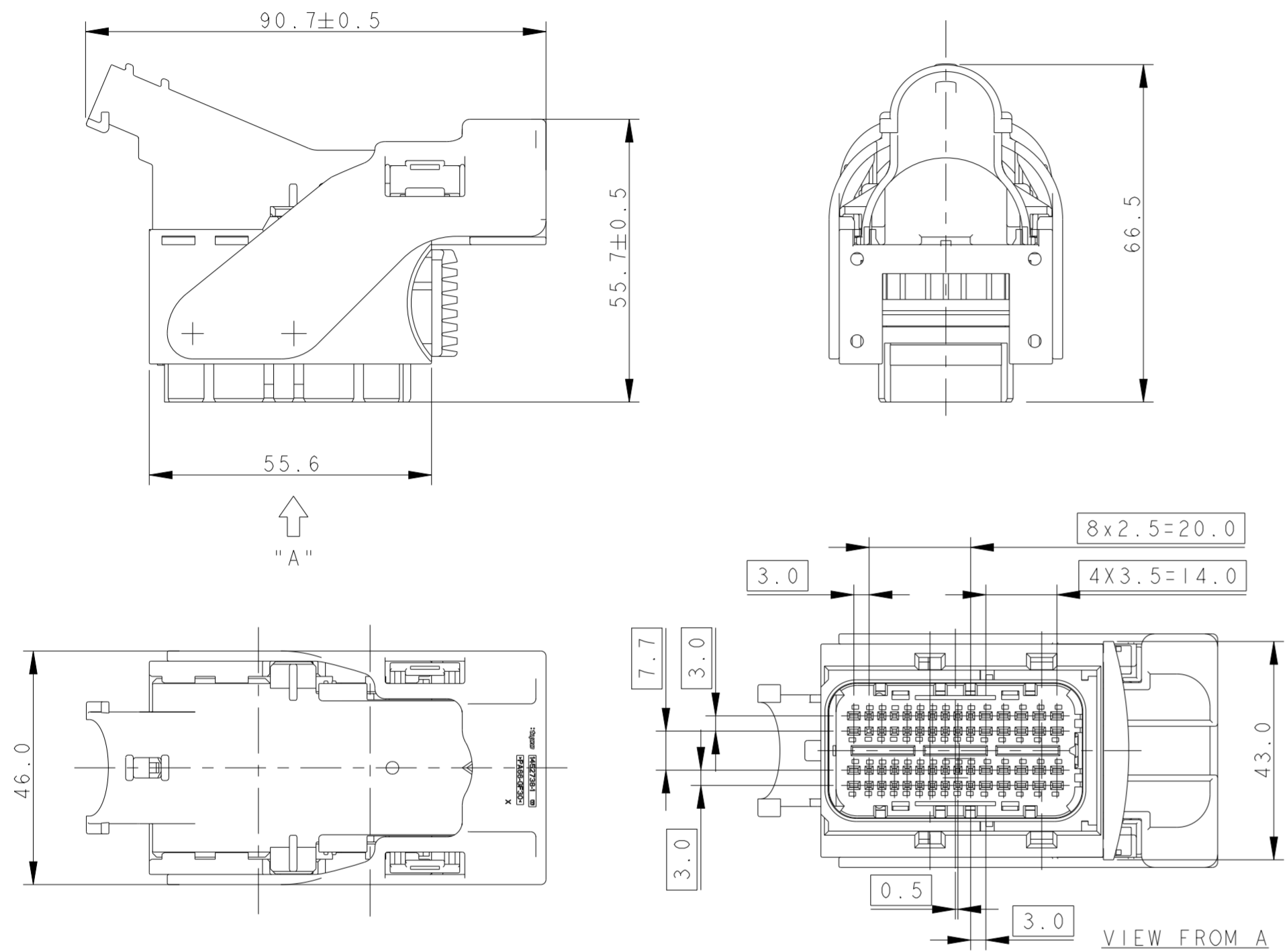
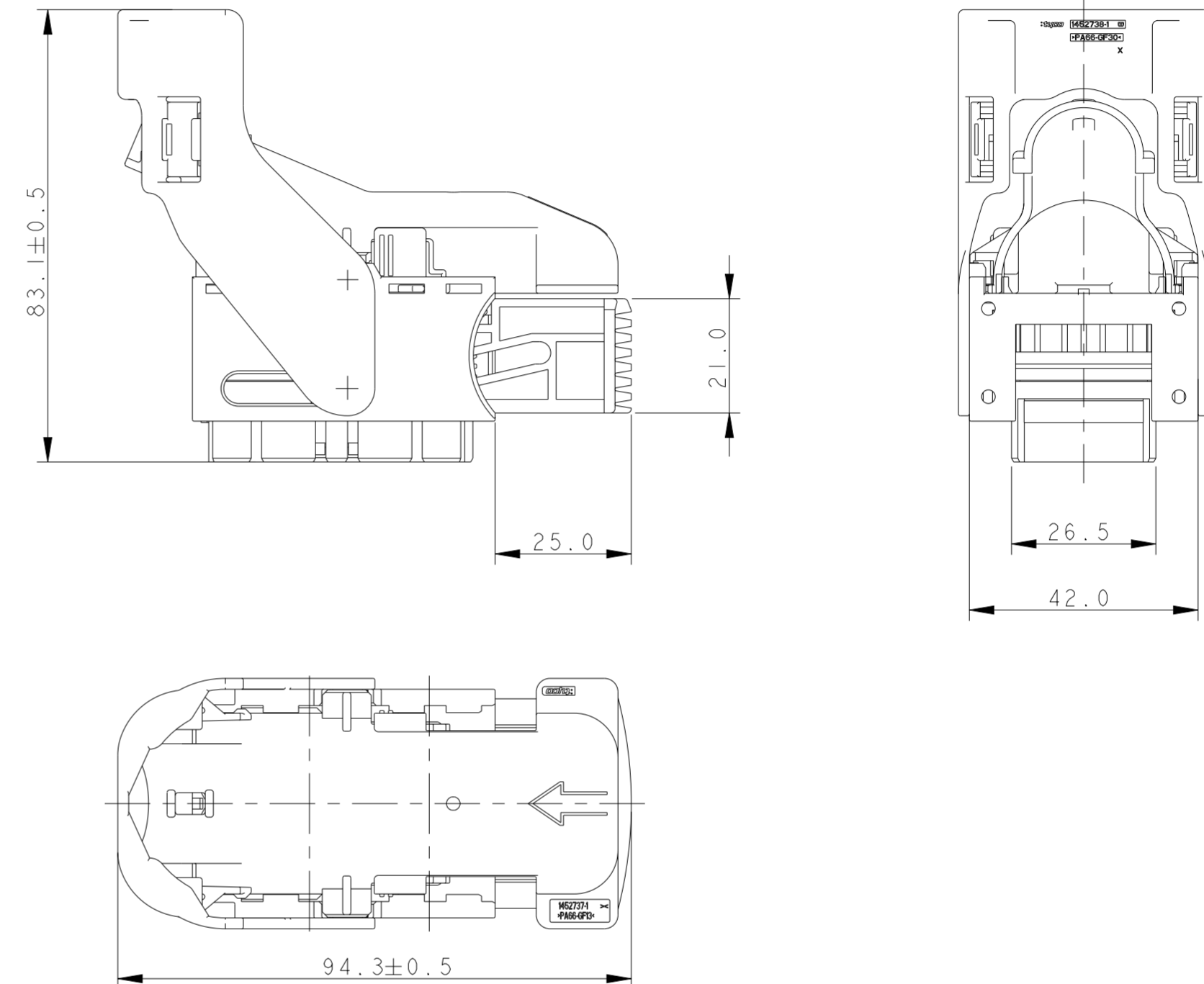


P	LTR	DESCRIPTION	DATE	DWN	APVD
A1		RELEASED FOR PRODUCTION (ET00-0082-04)	29APR2004	M.P.	O.C.
A2		UPDATED DRAWING (ET00-0218-04)	01DEC2004	M.P.	O.C.
A3		UPDATED CABLE EXIT ARROW ON PAGE 2/2 (ECR-07-009303)	20APR2007	M.P.	O.C.
B		ECN-21-131939	21DEC2021	V.N.	V.N.

CONNECTOR OVERALL DIMENSIONS WITH COVER AND LEVER ASSEMBLED
(DIMENSIONI DI INGOMBRO CONNETTORE CON COPERCHIO E LEVA MONTATI)



CONNECTOR OVERALL DIMENSIONS WITH COVER AND LEVER ASSEMBLED OPENED
(DIMENSIONI DI INGOMBRO CONNETTORE CON COPERCHIO E LEVA MONTATI APERTI)



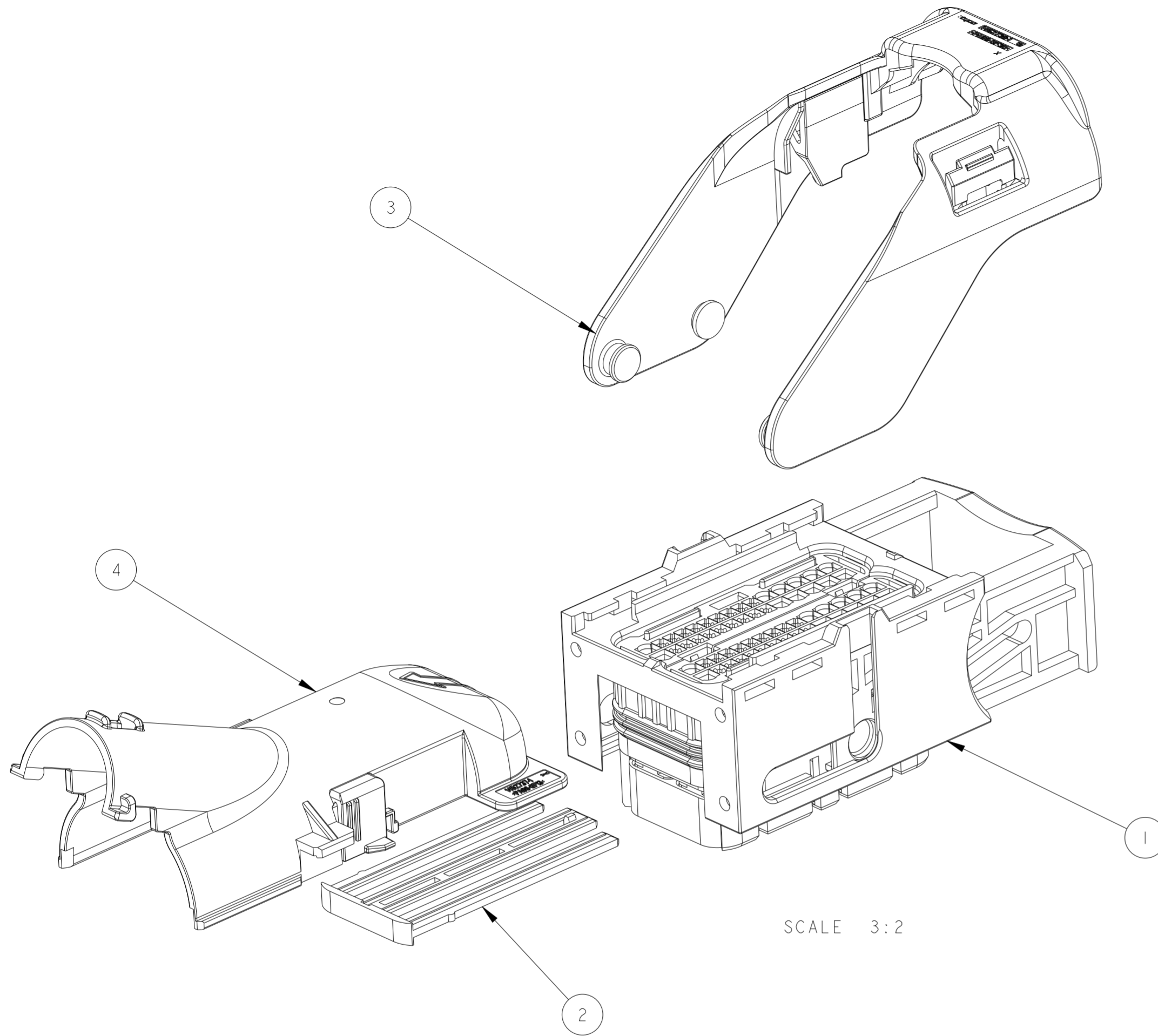
NOTE:

- CONNECTOR IS SUITABLE TO BE MATED WITH TYCO COUNTERPART P/N 284617-1
(IL CONNETTORE SI ACCOPPIA CON LA CONTROPARTE TYCO P/N 284617-1)
- CONNECTOR CAVITIES ARE SUITABLE FOR CONTACTS:
(LE CAVITA' DEL CONNETTORE SONO ADATTE PER CONTATTI:)
 - MQS Clean Body contact WSR 0.2-0.5 mm² P/N 968220-1
 - MQS Clean Body contact WSR 0.75 mm² P/N 968221-1
 - 1.5 mm Clean Body contact WSR 0.75-1.5 mm² P/N 1241608-1
- TO CLOSE UNUSED CAVITIES:
(PER CHIUDERE LE CAVITA' NON UTILIZZATE)
 - P/N 284583-1 or P/N 1394871-1 for MQS Clean Body contacts
 - P/N 1394872-1 for 1.5 mm Clean Body contact
- ALL ITEMS ARE SUPPLIED NOT ASSEMBLED IN THE SAME PACKAGE.
(TUTTI I PARTICOLARI SONO FORNITI NON ASSEMBLATI NELLA STESSA CONFEZIONE.)

P/N 1745010-1 AS SHOWN

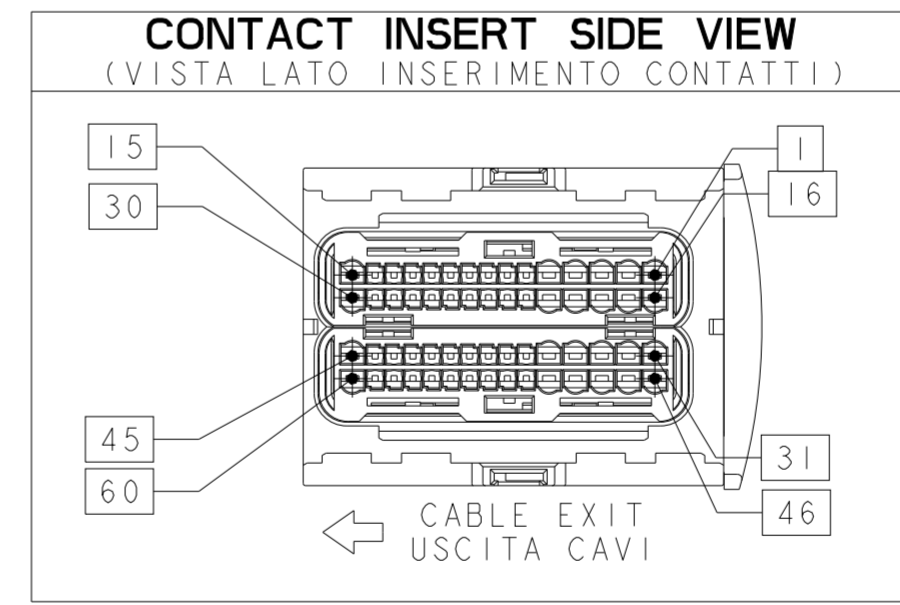
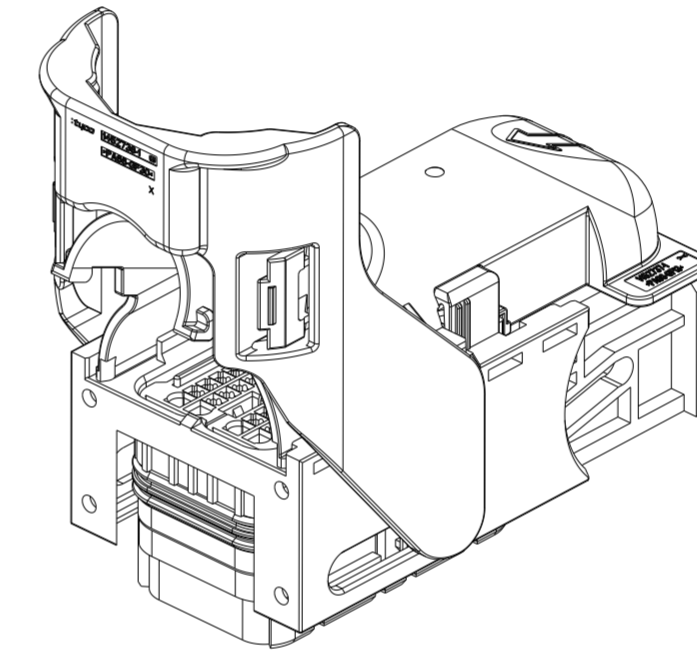
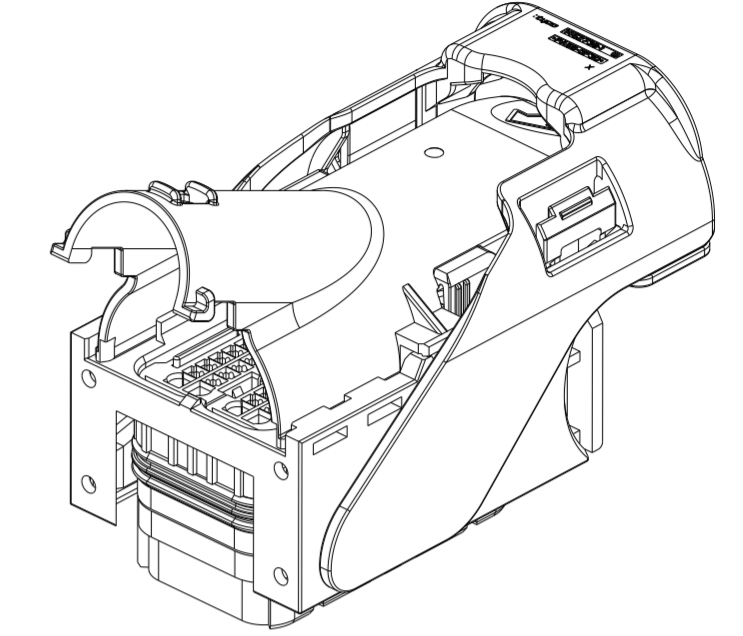
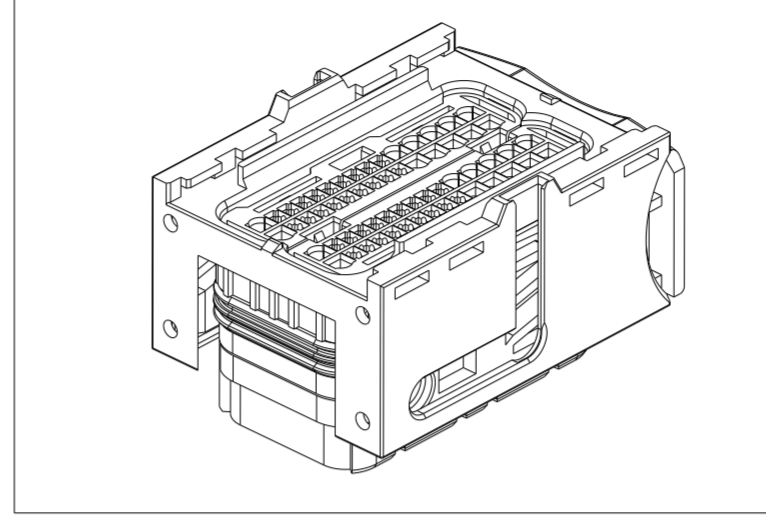
THIS DRAWING IS A CONTROLLED DOCUMENT.		DWN M. POLIZZI	10 JAN 2004	 TE Connectivity	NAME CONNECTOR HOUSING, 60 POS. MQS, 1.5mm Clean Body Contacts + COVER FOR OPEL
DIMENSIONS: mm		CHK O. CANUTO	10 JAN 2004		
TOLERANCES UNLESS OTHERWISE SPECIFIED: 0 PLC ±0.3 1 PLC ±0.3 2 PLC ±0.3 3 PLC ± 4 PLC ± ANGLES ±30'		APVD A. GENIA	10 JAN 2004		
MATERIAL		PRODUCT SPEC 108-20235	APPLICATION SPEC I.S.114-18598		
		WEIGHT	-	SIZE A2	CAGE CODE 0779
		CUSTOMER DRAWING		DRAWING NO C-1745010	RESTRICTED TO -
		SCALE	1:1	SHEET	1 OF 2
				REV	B

REVISIONS					
P	LTR	DESCRIPTION	DATE	DWN	APVD
-		SEE SHEET 1	-	-	-



SCALE 3:2

HOUSING AS SUPPLIED
(CORPO CONNETTORE COME FORNITO)



CAVITIES POSITIONS
(POSIZIONE IN CAVITA')

CONTACT P/N (P/N CONTATTO)	POSITION (POSIZIONE)
968220-1 & 968221-1	6 to 14; 21 to 29; 36 to 44; 51 to 59
1241608-1	1 to 5; 15 to 20; 30 to 35; 45 to 50; 60

QTY.	RAW MATERIALS Materiali	COLOURS Colori	REV	DESCRIPTION Descrizione	ITEM Pos.
1	PA6.6 GF13	BLACK	/	COVER / Coperchio	4
1	PA6.6 GF13	BLACK	/	LEVER / leva	3
1	PA6 GF30	VIOLET	/	SECONDARY LOCK 60 POSN. Disp. Ritenz. secondaria, 60 pos.	2
1	PBT+ASA-GF20/PA66 GF30 PBT GF15 / PA66 GF25 SILICON	BLACK/LIGHT BROWN:HOUSING TRANSPARENT:PERIPHERAL SEAL RED-BROWN:FAMILY SEAL	/	CARRIER HSG. / Corpo connettore	1
1745010-1	PART-NO. Codice				
B	REV				

THIS DRAWING IS A CONTROLLED DOCUMENT.

DIMENSIONS: mm	TOLERANCES UNLESS OTHERWISE SPECIFIED: 0 PLC ±0.3 1 PLC ±0.3 2 PLC ±0.3 3 PLC ± 4 PLC ± ANGLES ±30' FINISH	DWN M. POLIZZI 10DEC2003 CHK O. CANUTO 10DEC2003 APVD A. GENTA 10DEC2003	TE Connectivity CONNECTOR HOUSING, 60 POS. MQS, 1.5mm Clean Body Contacts + COVER FOR OPEL
MATERIAL		PRODUCT SPEC APPLICATION SPEC WEIGHT CUSTOMER DRAWING	
		SIZE A2 CAGE CODE 0779 DRAWING NO. C-1745010	RESTRICTED TO
		SCALE 1:1	SHEET 2 OF 2
			REV B