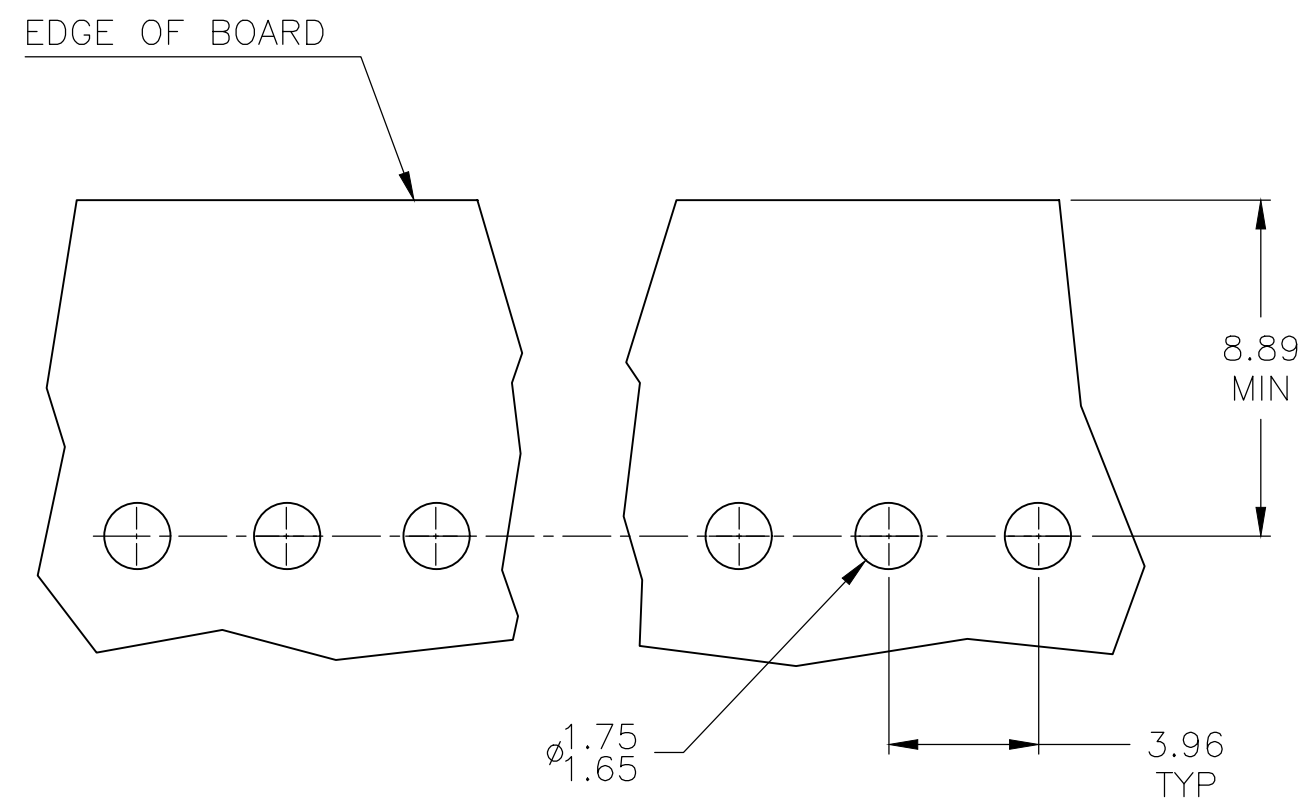
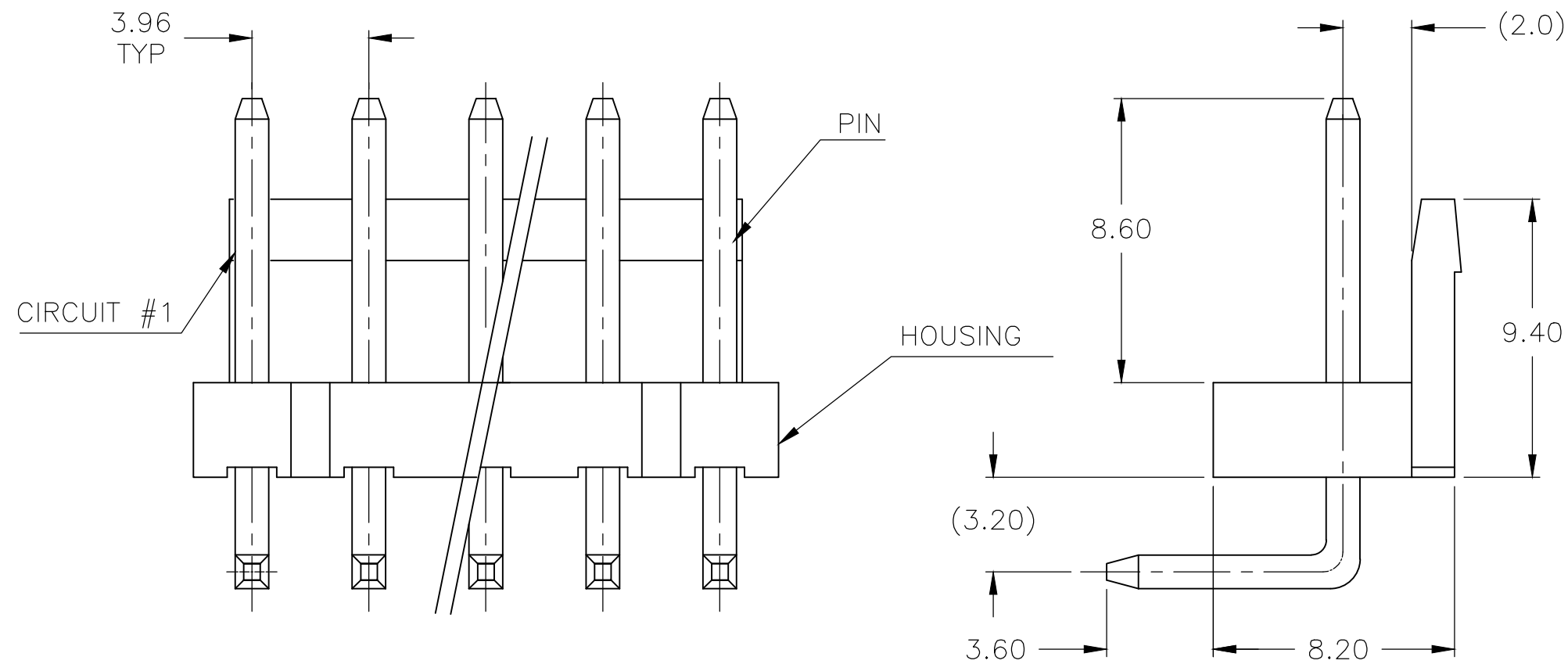
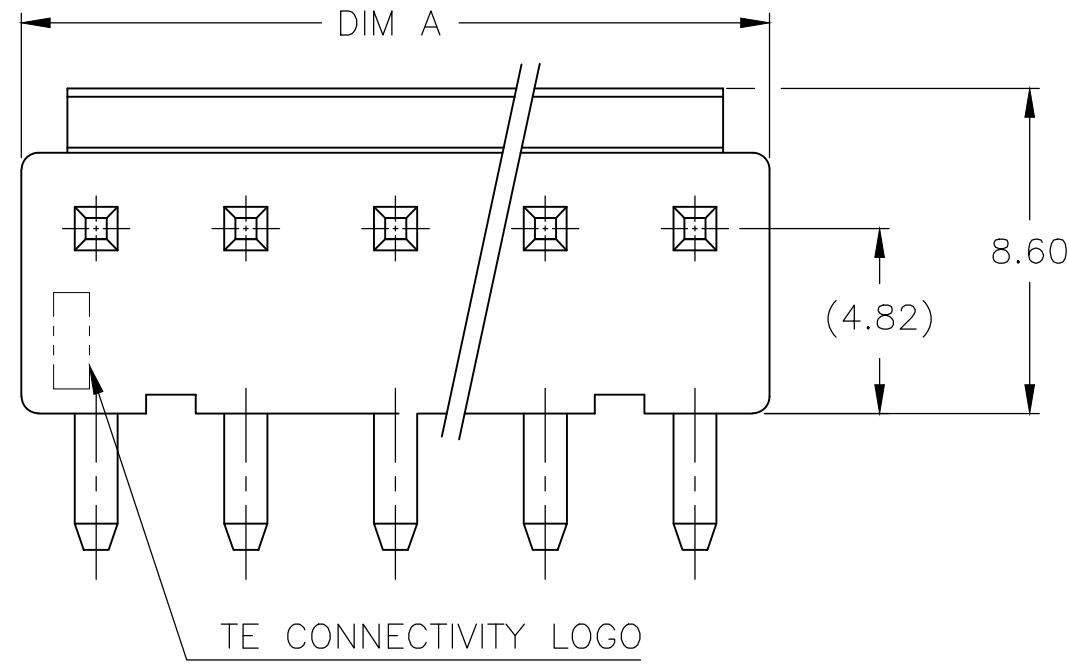


THIS DRAWING IS UNPUBLISHED. RELEASED FOR PUBLICATION
 © COPYRIGHT - By - ALL RIGHTS RESERVED.

REVISIONS				
P	LTR	DESCRIPTION	DATE	APVD
B9		REVISED PER ECR-19-005348	09APR2019	WH DZ



- MATERIAL:
HOUSING: NYLON, UL94-V0
PIN: BRASS.
 - FINISH:
PIN: 80u" MIN. TIN PLATED ON CONTACT AREA.
 - COMPLY WITH GLOW WIRE REQUIREMENTS FOR PARTS OF NON-METALLIC MATERIAL SUPPORTING A CURRENT-CARRYING CONNECTION DETAILED IN IEC 60335-1, SECTION 30(GWT)
 - SKETCHES SHOW NO PINS MISSING.
- △ 5 "O" WITH PIN
"X" WITHOUT PIN.

O	X	O	O	O	X	O						7	NATURAL	27.72	1-1744525-7
O	O	O	O	O	X	O	X	O				9	NATURAL	35.64	3-1744525-9
O	O	X	O	O	X	O	X	O				9	NATURAL	35.64	2-1744525-9
O	O	O	X	O	X	O						7	NATURAL	27.72	1744525-7
X	O	X	O	X	O	X	O	X				9	NATURAL	35.64	1-1744525-9
X	O											2	NATURAL	7.92	1744525-2
O	O	O	O	O	O	O	O	O	X	O		11	NATURAL	43.56	1-1744525-1
O	X	O	X	O	X	O	X	O				9	NATURAL	35.64	1744525-9
O	X	O	O	O	O							6	NATURAL	23.76	2-1744525-6
O	X	O	X	O								5	NATURAL	19.80	2-1744525-5
O	X	O	O									4	NATURAL	15.84	2-1744525-4
O	X	O	O	O	X	O	O	O	O	O		12	NATURAL	47.52	1-1744525-2
O	O	X	O	O								5	NATURAL	19.80	1744525-5
O	O	X	O									4	NATURAL	15.84	1744525-4
O	X	O										3	NATURAL	11.88	1744525-3
1	2	3	4	5	6	7	8	9	10	11	12	NO. OF POSITIONS	COLOR	DIM A ±0.30	PART NUMBER
PIN POSITIONS												△ 5			

THIS DRAWING IS A CONTROLLED DOCUMENT.

DWN	JR RUTH	22MAR13	 TE Connectivity
CHK	TOM MICHELUTTI	22MAR13	
APVD	TOM MICHELUTTI	22MAR13	
PRODUCT SPEC	108-5609		
APPLICATION SPEC	114-5253		NAME ASSEMBLY, EP HEADER, RIGHT ANGLE
MATERIAL	-	WEIGHT	-
FINISH	-	SCALE	N/A

CUSTOMER DRAWING

SIZE: A2 CAGE CODE: 00779 DRAWING NO: C=1744525 RESTRICTED TO: -

SCALE: N/A SHEET: 1 of 1 REV: B9