

4

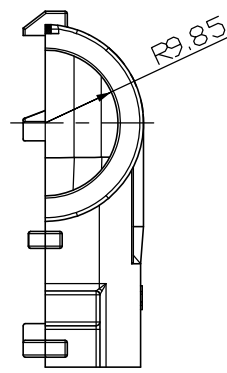
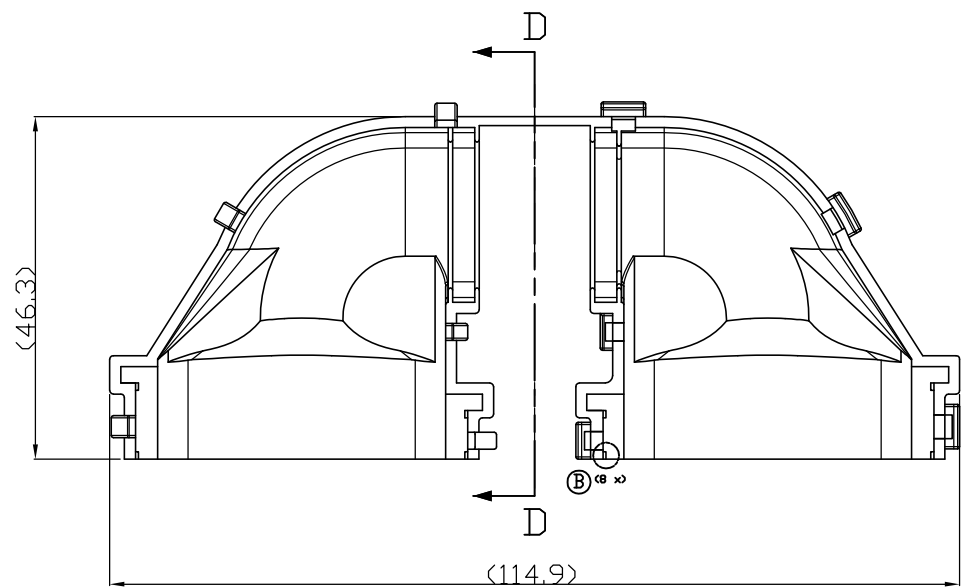
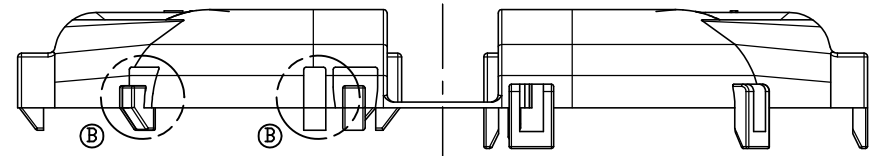
3

2

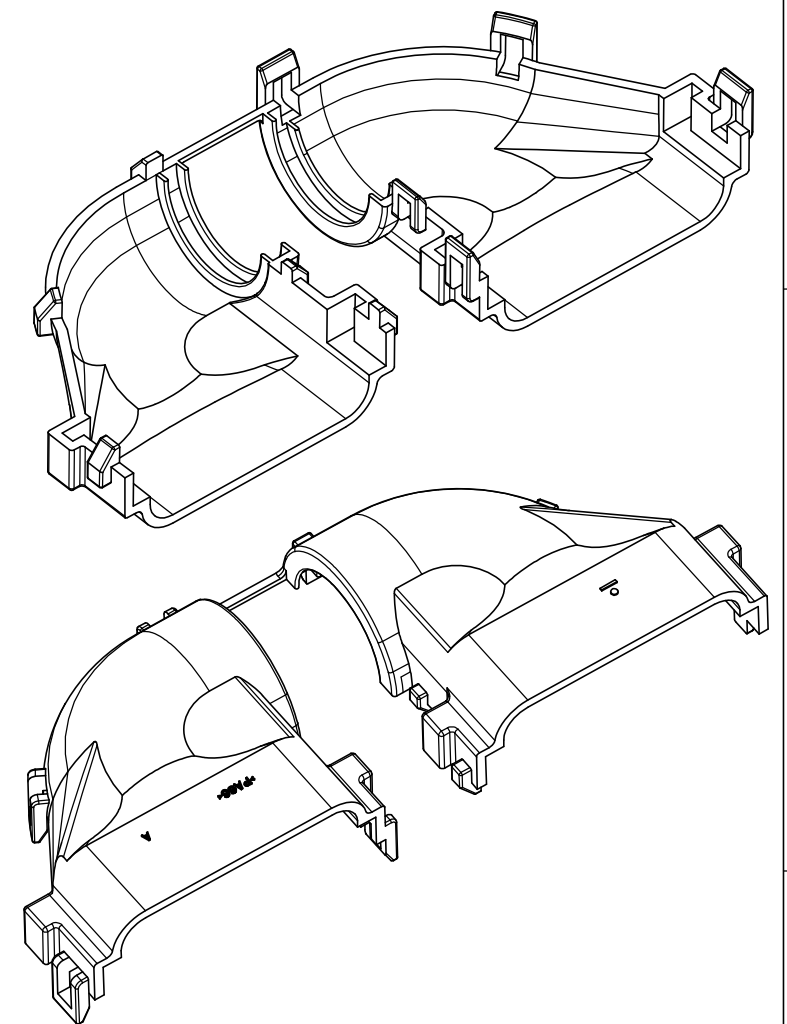
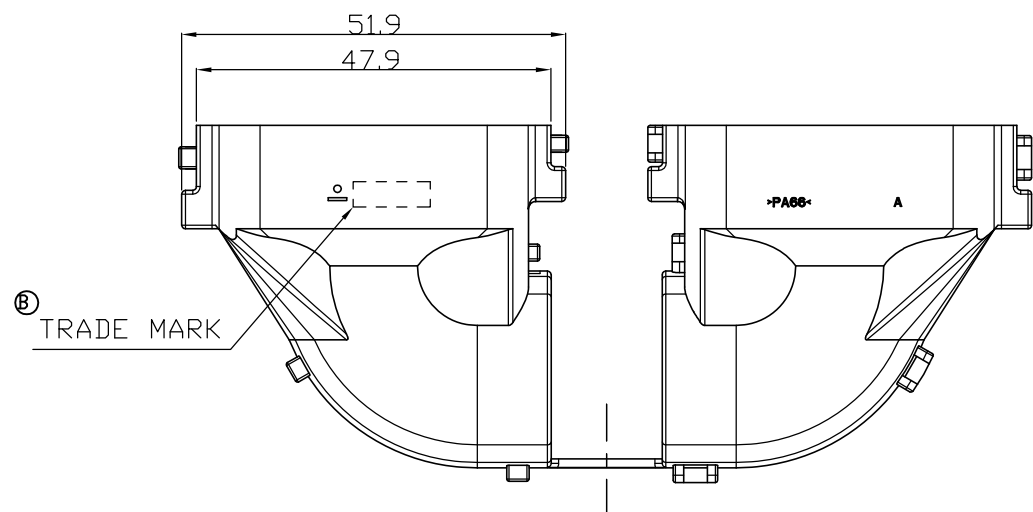
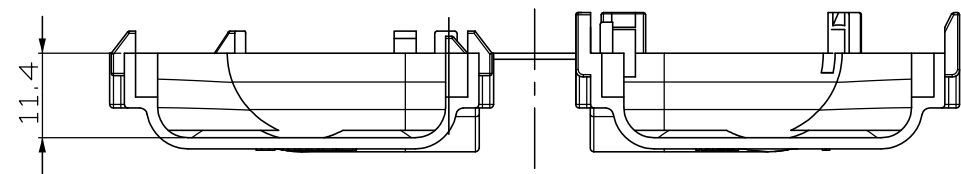
1

THIS DRAWING IS UNPUBLISHED. RELEASED FOR PUBLICATION  
© COPYRIGHT BY TYCO ELECTRONICS CORPORATION, ALL RIGHTS RESERVED.

LOC	DIST	REVISIONS					
		P	LTR	DESCRIPTION	DATE	DWN	APVD
DS	—		B	REVISED (ECR-06-021275)	27/OCT/10	SJ	HG



SECTION D-D



- NOTE
1. GENERAL TOLERANCE: ±0.3
  2. APPLICABLE CONNECTOR: X-1743636-X
  3. APPLICABLE CORRUGATE TUBE: Ø19mm
  - ④. APPLICATION TEST SPEC: MS210-06-A2 (EXCEPT 4.4)

1743693-2	CAP WIRE COVER(H-TYPE)	PA66	BLACK
P/N	DESCRIPTION	MATERIAL	COLOR

<small>THIS DRAWING IS A CONTROLLED DOCUMENT FOR TYCO ELECTRONICS CORPORATION. IT IS SUBJECT TO CHANGE AND THE CONTROLLING ENGINEERING ORGANIZATION SHOULD BE CONTACTED FOR THE LATEST REVISION.</small>		DWN SJ CHOI CHK JW JUNG APVD HG CHD PRODUCT SPEC APPLICATION SPEC WEIGHT CUSTOMER DRAWING		<b>Tyco Electronics</b> Tyco Electronics kyungsan, korea NAME CAP WIRE COVER(H-TYPE) FOR MTII/JPT/MCP SEALED 36P CAP HSG SIZE CAGE CODE DRAWING NO RESTRICTED TO A3 00779C- 1743693	
DIMENSIONS: MM	TOLERANCES UNLESS OTHERWISE SPECIFIED:			SCALE 1:1	SHEET 1 OF 1
0 PLC ± 1 PLC ± 2 PLC ± 3 PLC ± 4 PLC ± ANGLES ±	3rd ANGLE PROJECTION SEE TABLE			REV B	