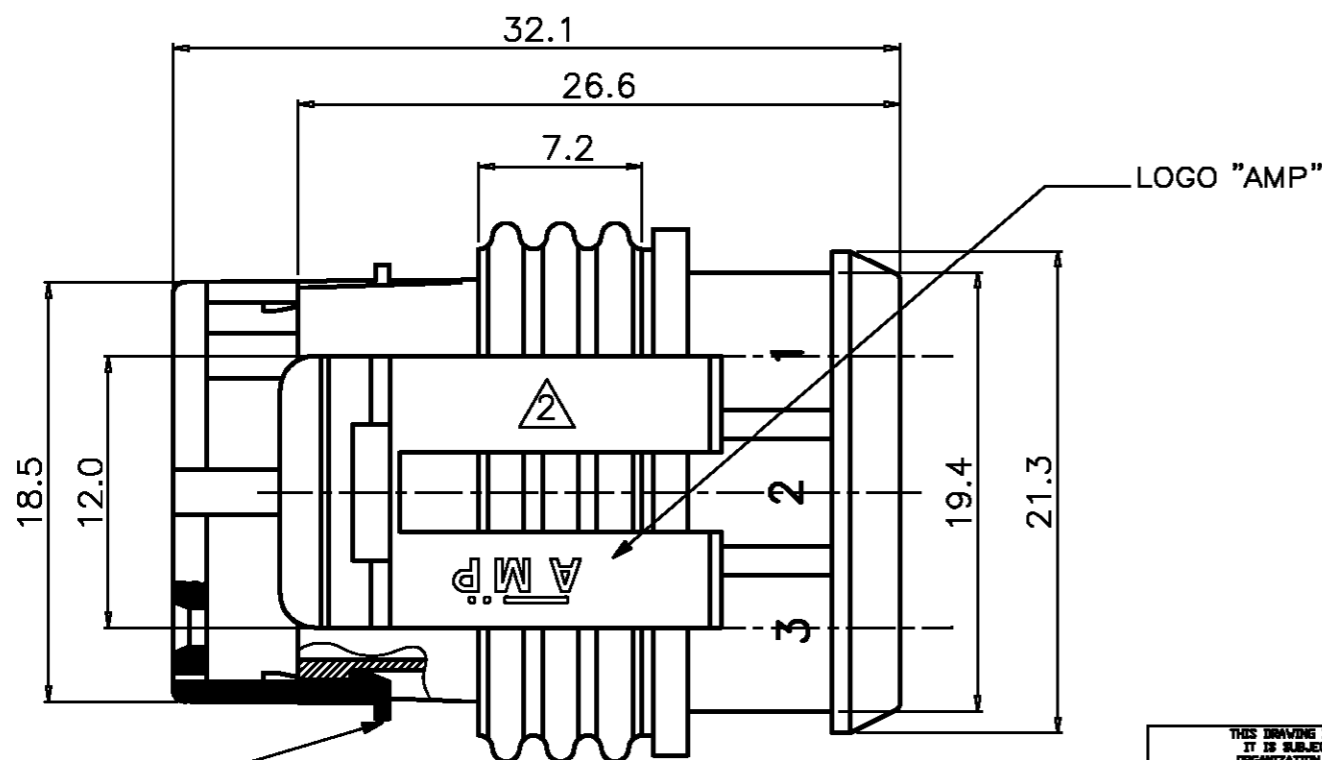
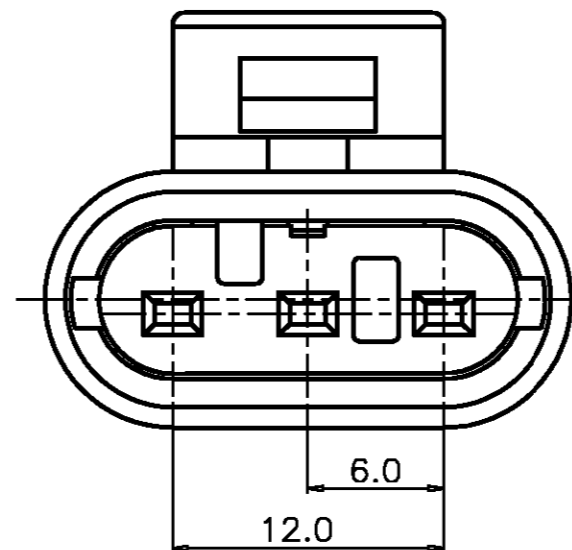
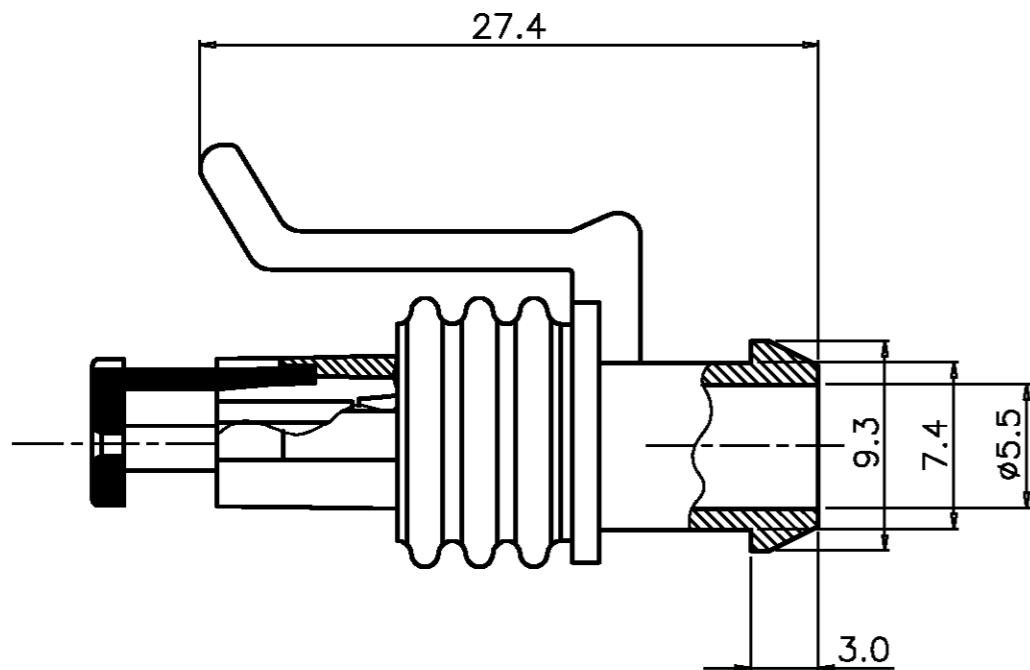


THIS DRAWING IS UNPUBLISHED. RELEASED FOR PUBLICATION .19

© COPYRIGHT 19 BY AMP INCORPORATED. ALL RIGHTS RESERVED.

LOC	DIST	REVISIONS					
DS		P	LTR	DESCRIPTION	DATE	DWN	APVD
			0	RELEASED (FC00-0066-05)	'05 7/MAR	YD	CS



P.NO	DESCRIPTION
1743427-1	3P PLUG ASS'Y FOR SUPER SEAL

NOTES

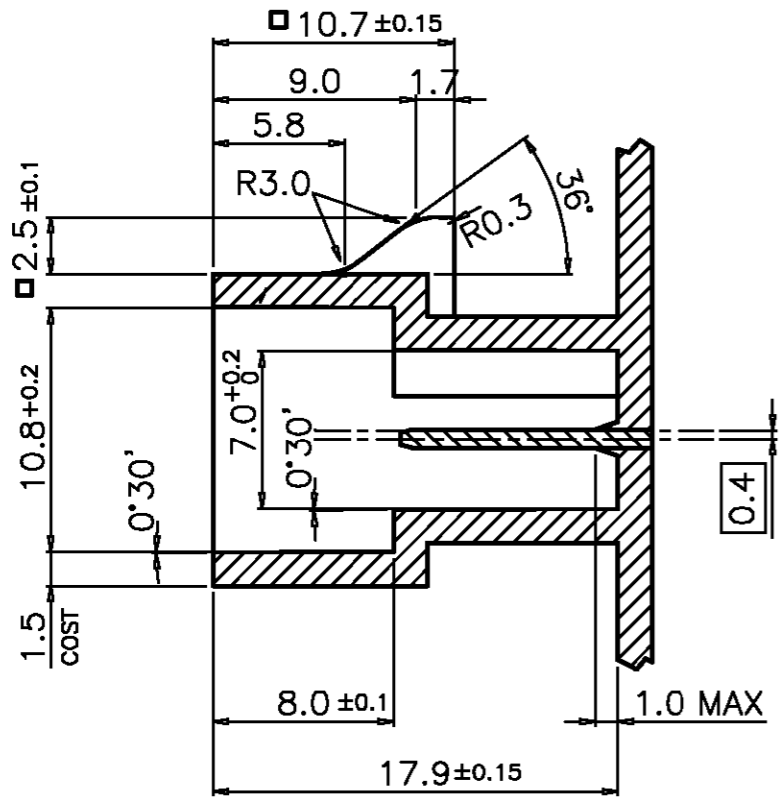
- 1. FOR COUNTERPART DETAIL SEE SHEET 2 OF 2
- 2. CAVITY I.D MARKING AREA

NO	P.NO	DESCRIPTION	MAT'L	COLOR	Q'TY
3	1743874-4	RUBBER SEAL	SILICONE 40*(OIL 2%)	BROWN	1
2	282074-1	SECONDARY LOCK	PA66-GF13%	RED	1
1	282058-1	PLUG HSG	PA66-GF13%	BLACK	1

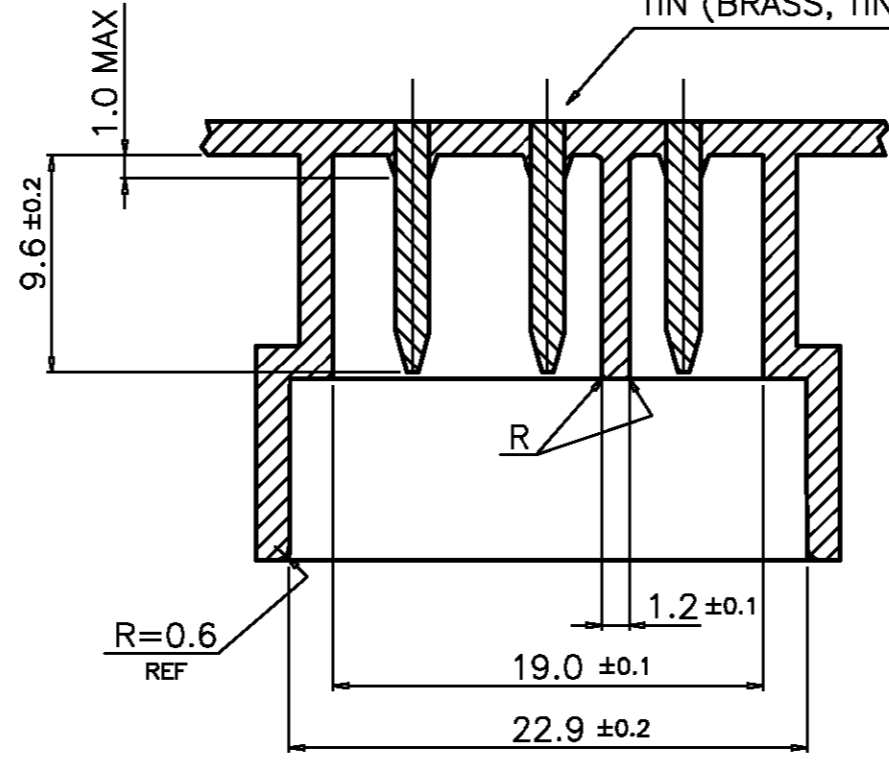
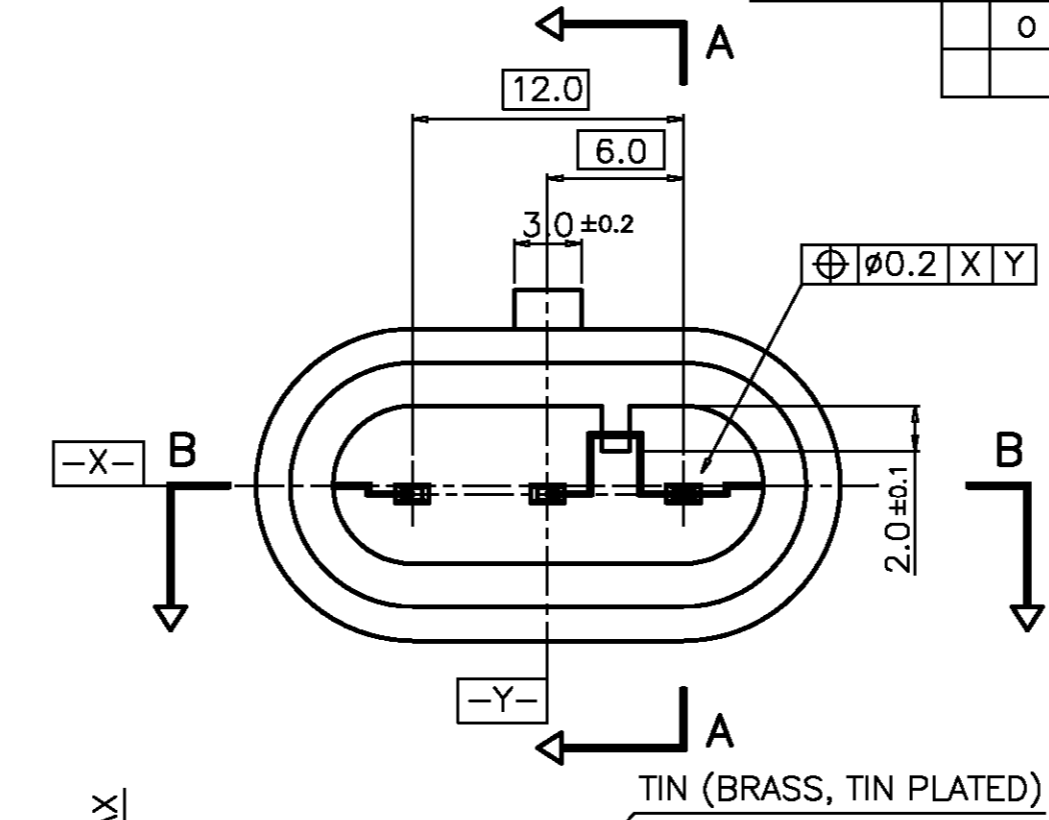
<small>THIS DRAWING IS A CONTROLLED DOCUMENT FOR AMP INCORPORATED. IT IS SUBJECT TO CHANGE AND THE CONTROLLING ENGINEERING ORGANIZATION SHOULD BE CONTACTED FOR THE LATEST REVISION.</small>		DWN : YD LEE CHK : BM JANG APVD : CS LEE PRODUCT SPEC APPLICATION SPEC		AMP KOREA, kyungsan, korea	
DIMENSIONS: MM 3rd ANGLE PROJECTION		TOLERANCES UNLESS OTHERWISE SPECIFIED: 0<XX<10 ± 0.2 10<XX<30 ± 0.25 30<XX<100 ± 0.3 ANGLES ± 3°		NAME <b>3 POS PLUG ASS'Y</b> <b>AMP SUPER SEAL 1.5 SERIES CONN</b>	
MATERIAL		FINISH		WEIGHT 3.6 G SIZE A3 CAGE CODE 00779 DRAWING NO C-1743427	SCALE 3/1 SHEET 1 OF 2 REV 0
CUSTOMER DRAWING					

SECONDARY LOCK, COLOUR RED, IN PRE-ASSEMBLED POSITION

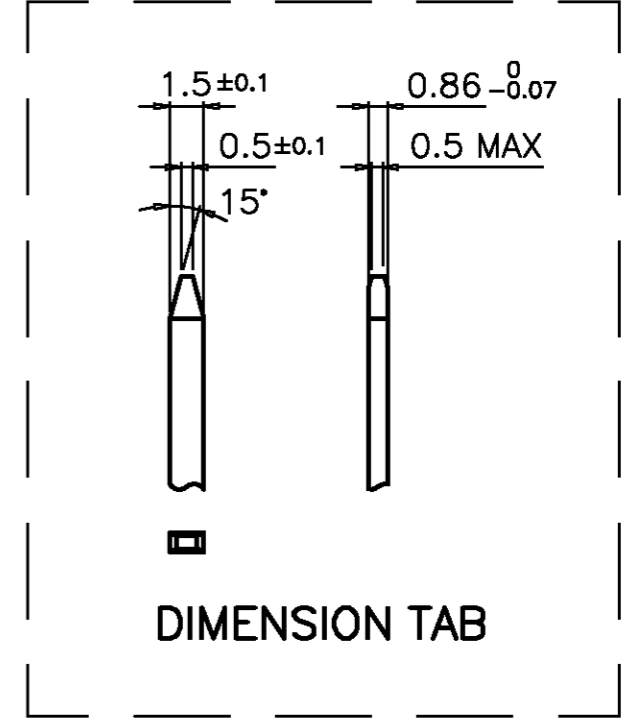
LOC		DIST		REVISIONS				
P	LTR	DESCRIPTION			DATE	DWN	APVD	
	0	RELEASED (FC00-0066-05)			'05 7/MAR	YD	CS	



SECTION A-A



SECTION B-B



DIMENSION TAB

NOTES

1. GENERAL TOLERANCES :  $\pm 0.3$  mm / 2°
2. MAT'L : PA 6.6 G.F

THIS DRAWING IS A CONTROLLED DOCUMENT FOR AMP INCORPORATED. IT IS SUBJECT TO CHANGE AND THE CONTROLLING ENGINEERING ORGANIZATION SHOULD BE CONTACTED FOR THE LATEST REVISION.		DWN : YD LEE		AMP KOREA, kyungsan, korea	
DIMENSIONS: MM		CHK : BM JANG			
TOLERANCES UNLESS OTHERWISE SPECIFIED:		APVD : CS LEE		NAME	
0<XX<10 ± 0.2 10<XX<30 ± 0.25 30<XX<100 ± 0.3 ANGLES ± 3°		PRODUCT SPEC		3 POS PLUG ASS'Y	
3rd ANGLE PROJECTION		APPLICATION SPEC		AMP SUPER SEAL 1.5 SERIES CONN	
MATERIAL		WEIGHT		SIZE	CAGE CODE
FINISH		CUSTOMER DRAWING		A3	00779
				DRAWING NO	
				C= 1 7 4 3 4 2 7	
				SCALE	SHEET
				3/1	2 OF 2
				REV	0