

4

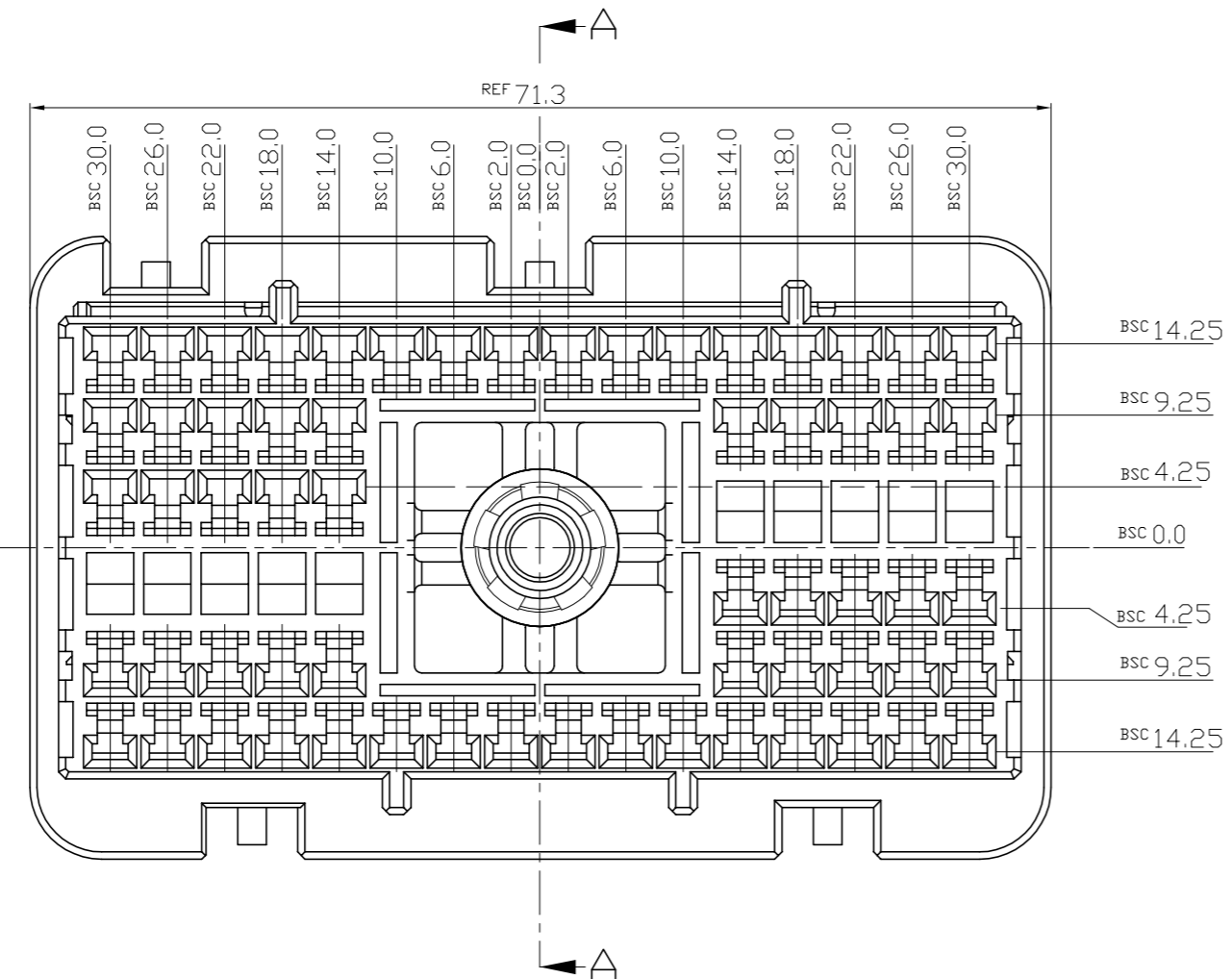
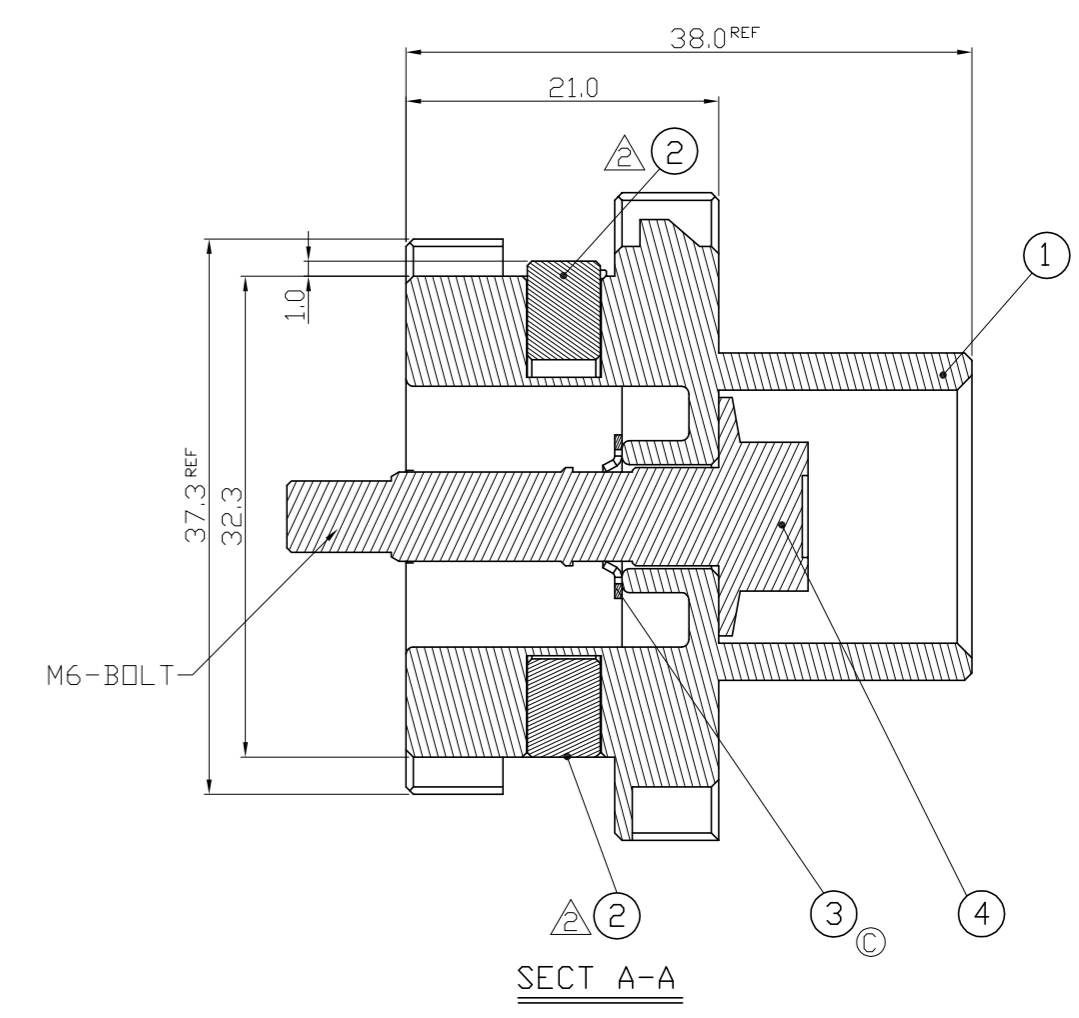
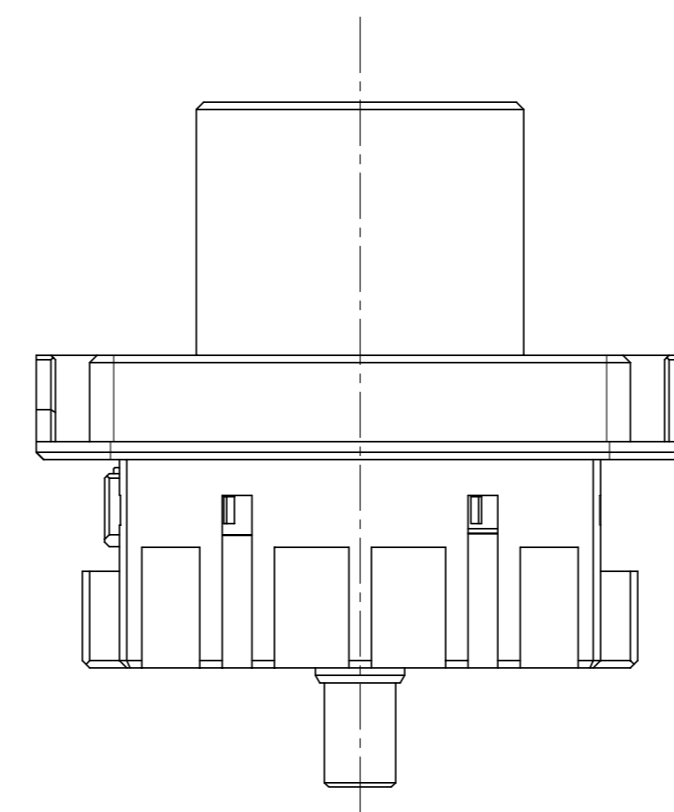
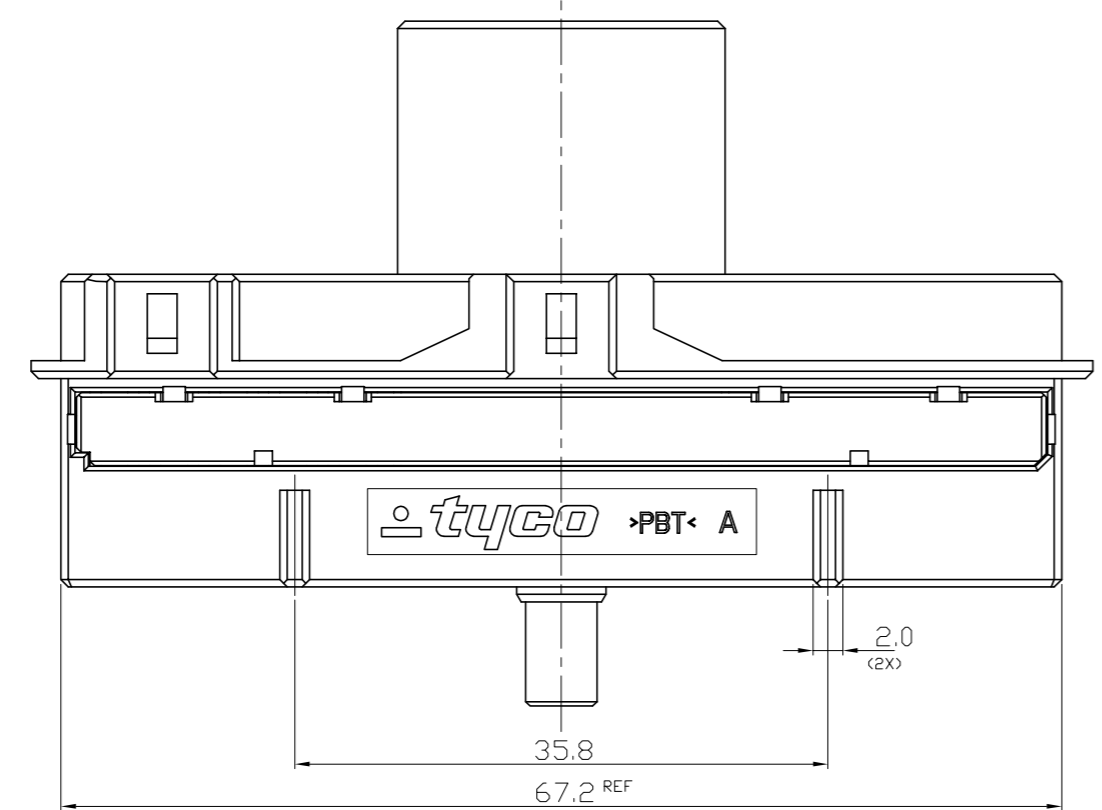
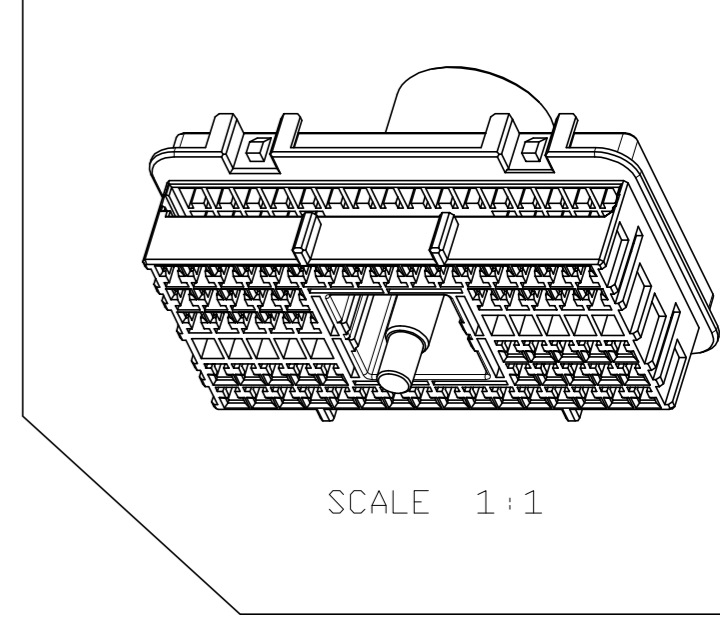
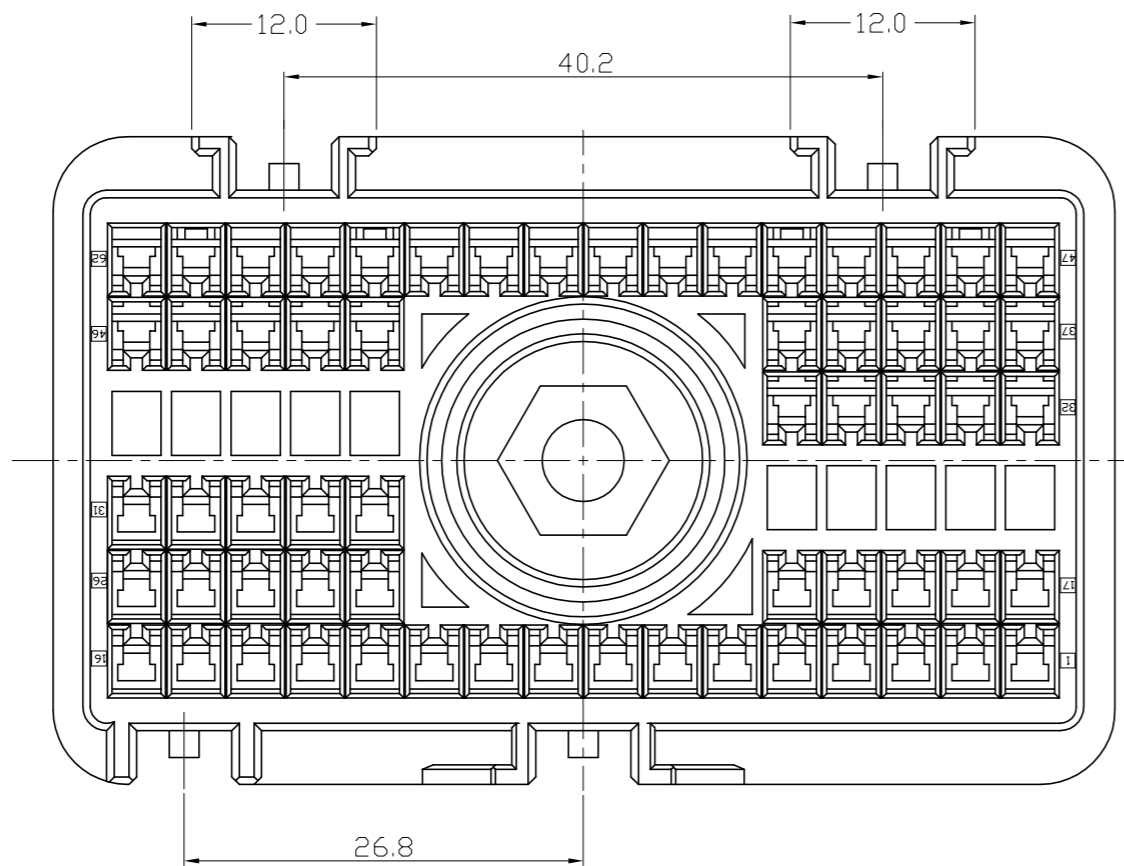
3

2

1

THIS DRAWING IS UNPUBLISHED. RELEASED FOR PUBLICATION
© COPYRIGHT BY TYCO ELECTRONICS CORPORATION. ALL RIGHTS RESERVED.

LOC	DIST	REVISIONS					
		P	LTR	DESCRIPTION	DATE	DWN	APVD
DS	-	B		REVISED<ECR-06-011601>	15/JUN/06	SB	JK
		C		REVISED<ECR-09-025744>	27/NOV/09	SH	JK



- NOTE.
- GENERAL TOLERANCE : ±0.3, ±3°
 - CONDITION OF DELIVERY : DBL PLATE IN OPEN POSITION.
 - APPLIED RECEPTACLE CONTACT P/N:
090 III REC. - 368083,368084,368085
 - APPLICABLE COVER DRAWING No.: 1743349
 - BOLT TORQUE RANGE: MAX 2.0Kgf·m
 - APPLICABLE CAP ASS'Y DRAWING No.: 1743342

NO.	DESCRIPTION	COLOR	MATERIAL	Q'TY
④	M6 BOLT	-	SCM435	1
③	PUSH NUT(NEW)	-	SUS 304(3/4H)	1
②	DBL HSG FOR 090III 62P	NATURAL	PBT	2
①	PLUG HSG FOR 090III 62P	BLACK	PBT	1

THIS DRAWING IS A CONTROLLED DOCUMENT FOR TYCO ELECTRONICS CORPORATION. IT IS SUBJECT TO CHANGE AND THE CONTROLLING ENGINEERING ORGANIZATION SHOULD BE CONTACTED FOR THE LATEST REVISION.		D/WN SH LEE	TE Connectivity	
DIMENSIONS: MM		CHK YJ YOUN	NAME	
TOLERANCES UNLESS OTHERWISE SPECIFIED:		APVD JK SONG	090III PLUG ASS'Y FOR 62P CONN	
0 PLC ±		PRODUCT SPEC -	SIZE CAGE CODE DRAWING NO RESTRICTED TO	
1 PLC ±		APPLICATION SPEC -	A200779 C-1743346 -	
2 PLC ±		WEIGHT -	SCALE 2/1 SHEET 1 OF 1 REV C	
3 PLC ±		CUSTOMER DRAWING		
4 PLC ±				
ANGLES ±				
FINISH -				