

4

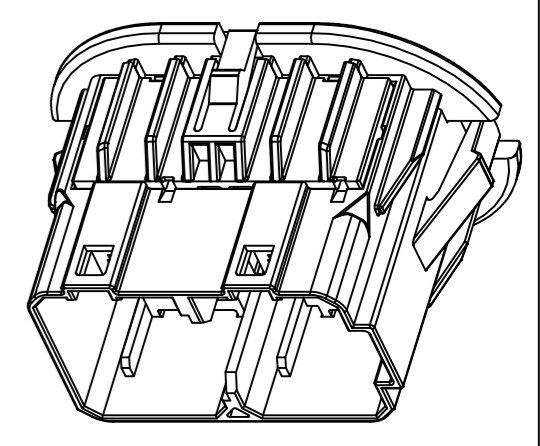
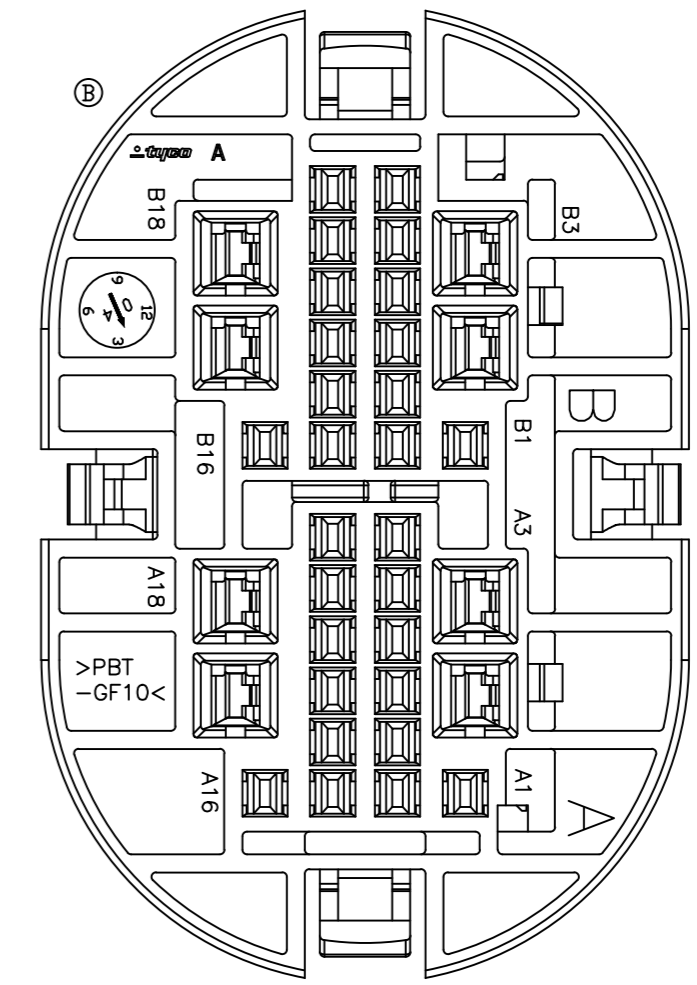
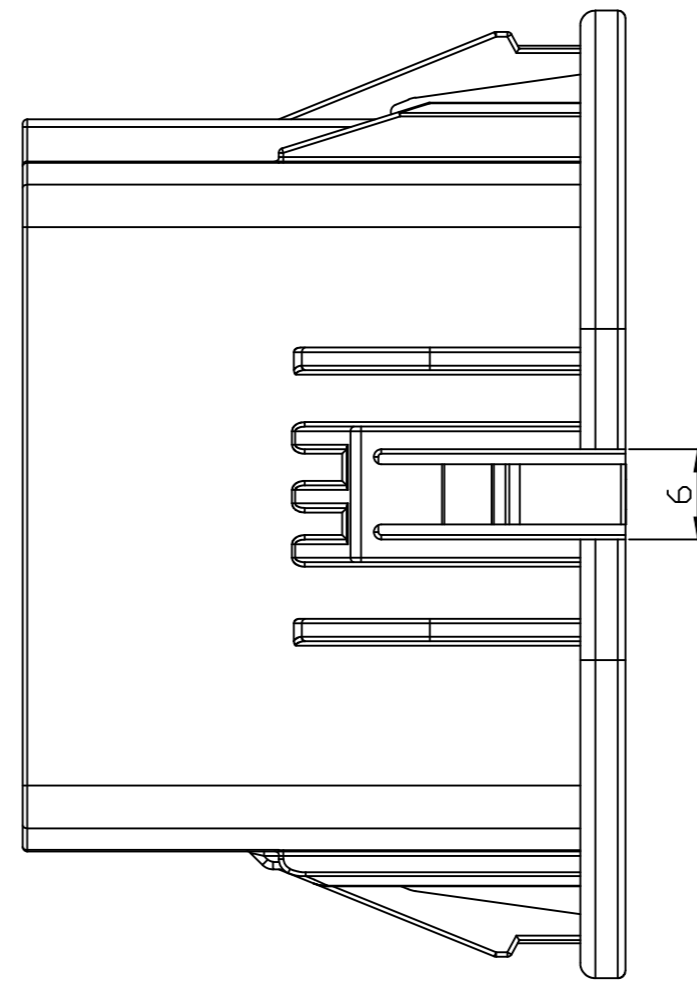
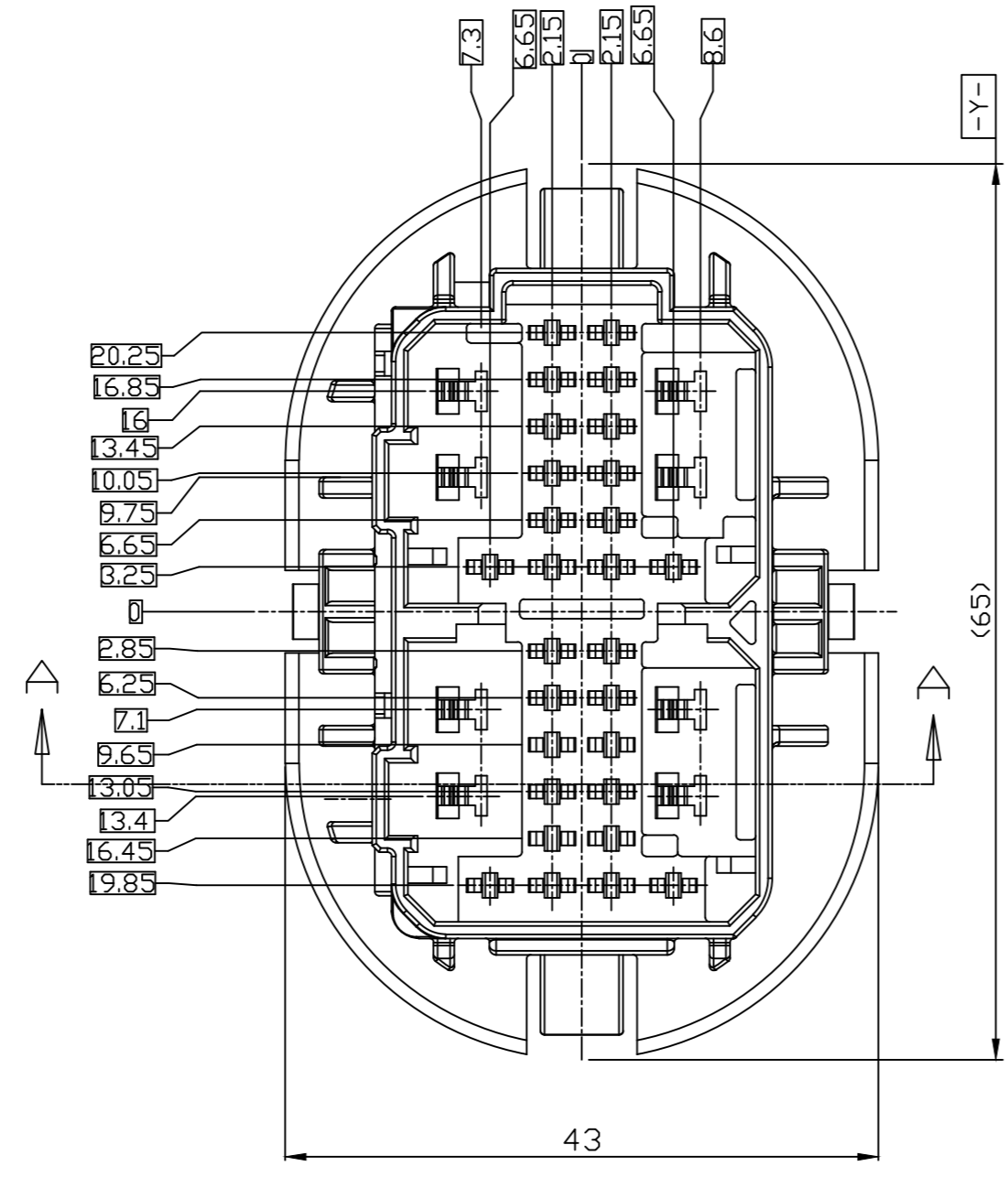
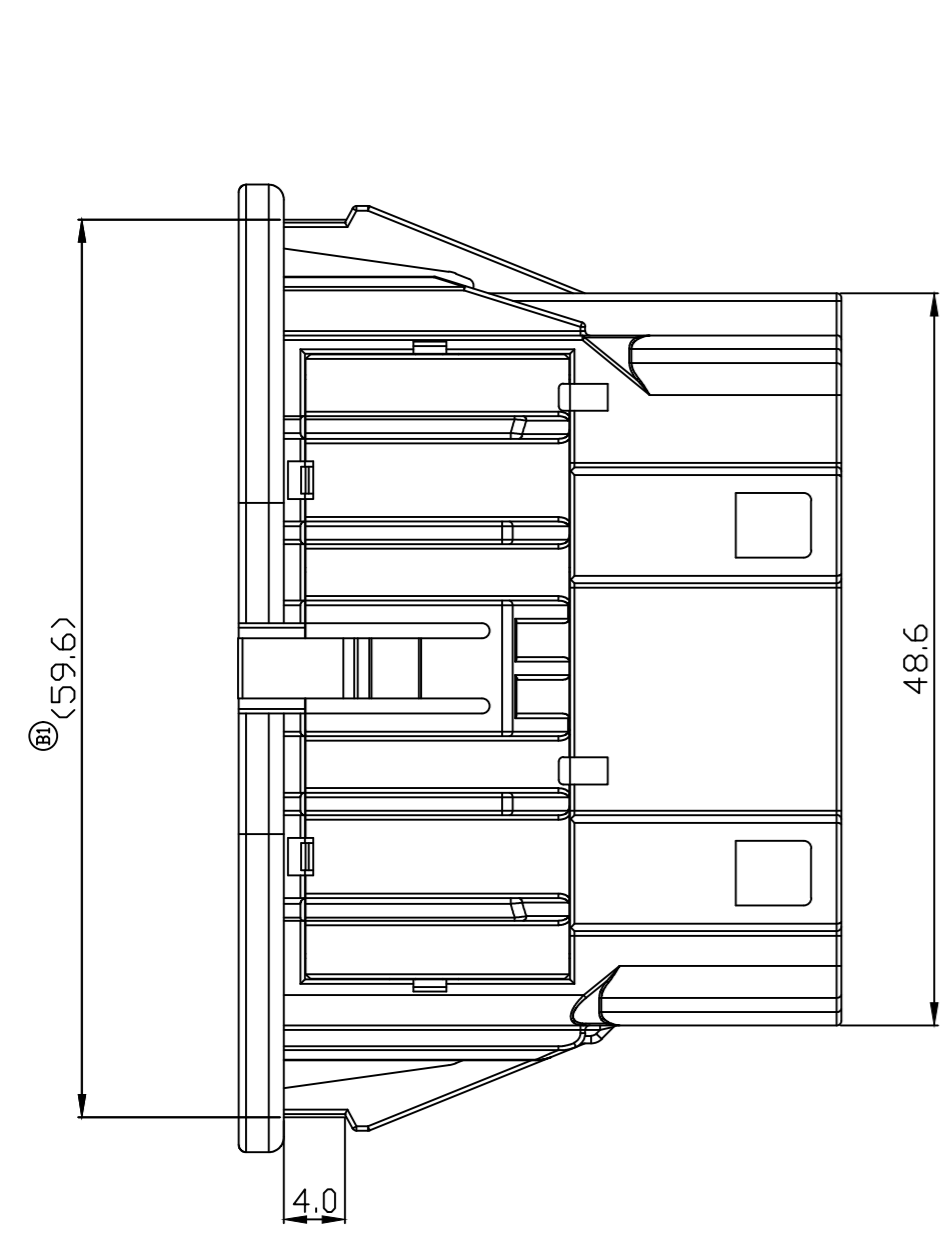
3

2

1

THIS DRAWING IS UNPUBLISHED. RELEASED FOR PUBLICATION  
 © COPYRIGHT BY - TE Connectivity ALL RIGHTS RESERVED.

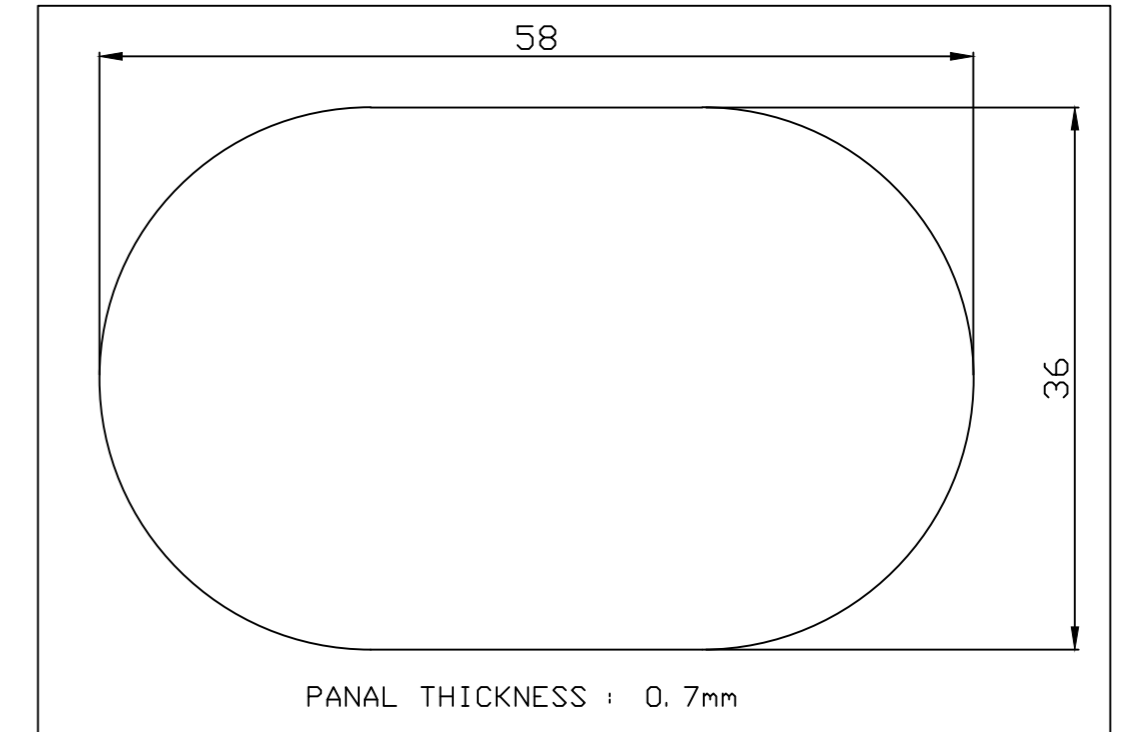
LOC		DIST		REVISIONS			
DS	P	LTR	DESCRIPTION	DATE	DWN	APVD	
	B		REVISED (ECR-06-020557)	27.AUG.'06	IS	JK	
	B1		REVISED (ECR-17-006889)	12.MAY.'17	SJ	JW	



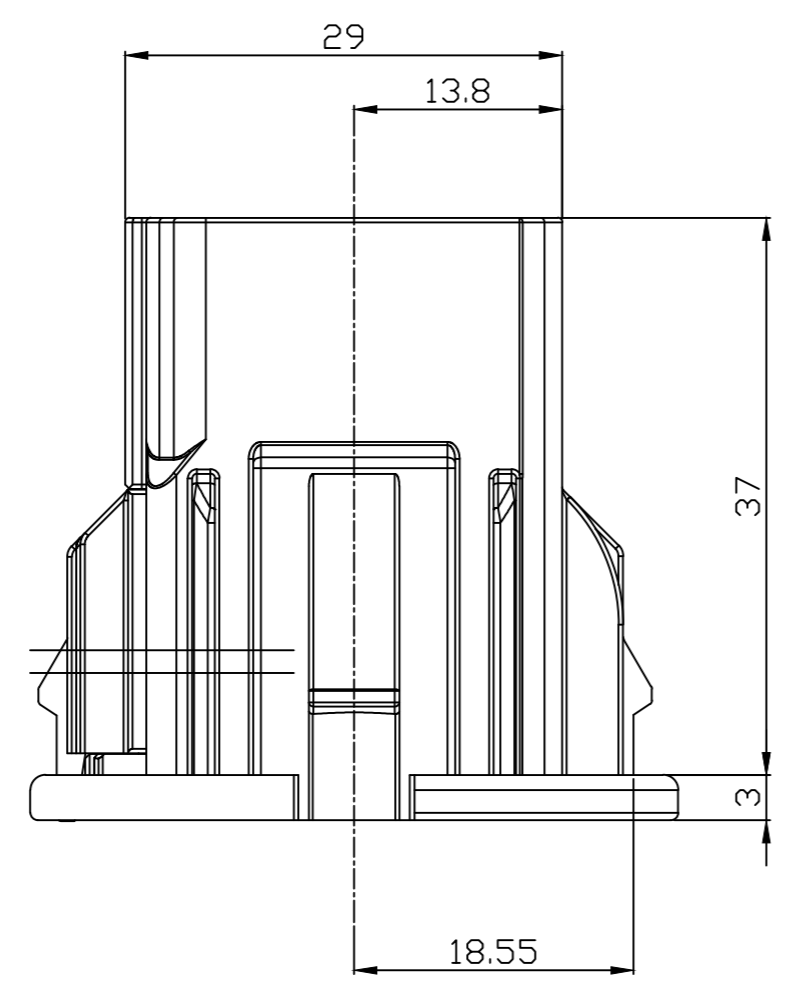
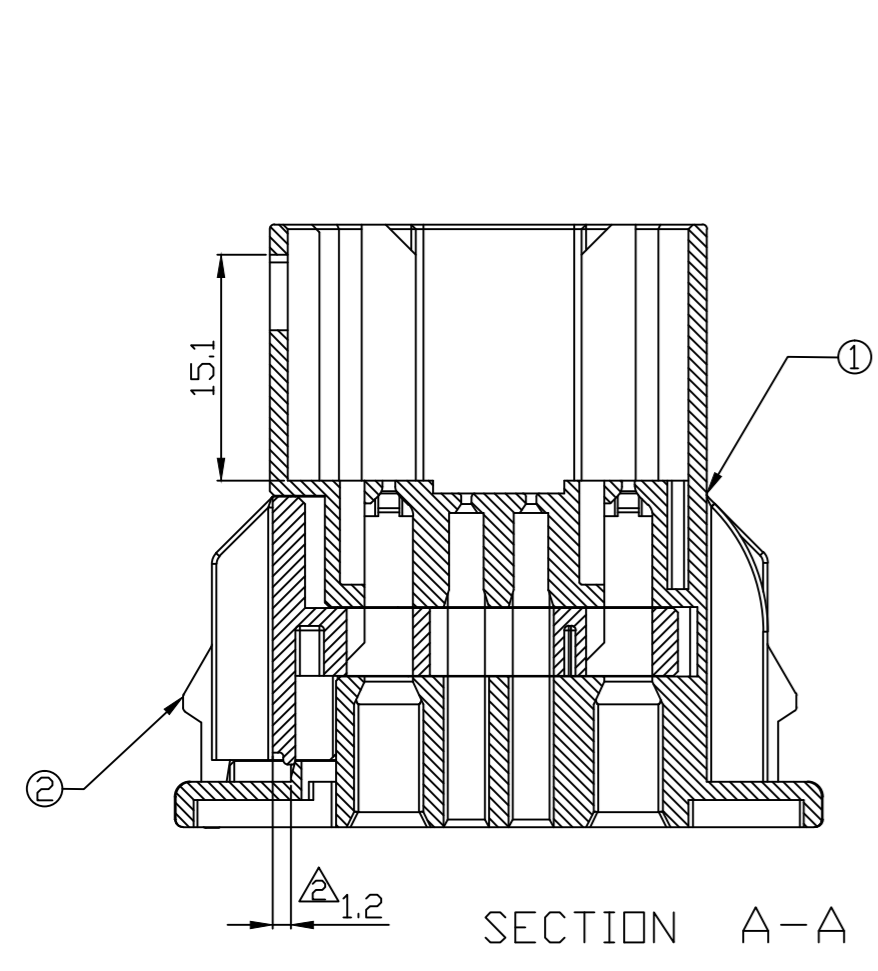
3D-VIEW  
SCALE 1/1

NOTES

- GENERAL TOLERANCE IS ±0.3
- CONDITION OF DELIVERY : DBL IN 1 ST LOCKING POSITION
- PANAL LAYOUT :



- APPLICABLE PLUG PART No.: X-1743611-X
- APPLIED TAB CONTACT P/N : TABLE 1



<TABLE 1>

DESCRIPTION	PART No.	WIRE SIZE(mm <sup>2</sup> )
MTII 1.5 TAB	0-964265-2	0.2-0.5mm <sup>2</sup>
	0-964267-2	0.5-1.0mm <sup>2</sup>
MCP-E 2.8 TAB	0-1743423-1	0.3-0.5mm <sup>2</sup>
	0-1743424-1	0.75-1.25mm <sup>2</sup>
	0-1743425-1	1.5-2.5mm <sup>2</sup>

NO	COLOR/FINISH	MATERIAL	DESCRIPTION	P/N	Q'TY
②	YELLOW	PBT-GF15	DBL HSG	0-1743267-5	1
①	WHITE	PBT-GF10	CAP HSG	1-1743266-1	1

P/N	DESCRIPTION	REMARK
1-1743265-1	36P CAP ASS'Y	

THIS DRAWING IS A CONTROLLED DOCUMENT.

DIMENSIONS: Mm	TOLERANCES UNLESS OTHERWISE SPECIFIED:	DWN IS WDD	CHK YM CHOI	APVD JK SDNG	PRODUCT SPEC	NAME	
0 PLC ±	1 PLC ±	2 PLC ±	3 PLC ±	4 PLC ±	ANGLES ±	FINISH	
MATERIAL SEE TABLE		WEIGHT		CUSTOMER DRAWING	SCALE 2/1	SHEET 1 OF 1	REV B1

STE TE Connectivity

HYB. 2.8/1.5mm 36Pos CAP ASS'Y

SIZE CAGE CODE DRAWING NO RESTRICTED TO

A2 00779 C-1743265