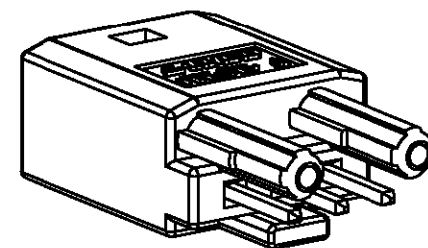
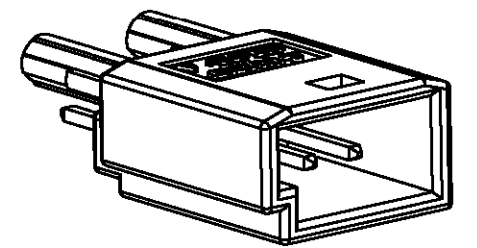
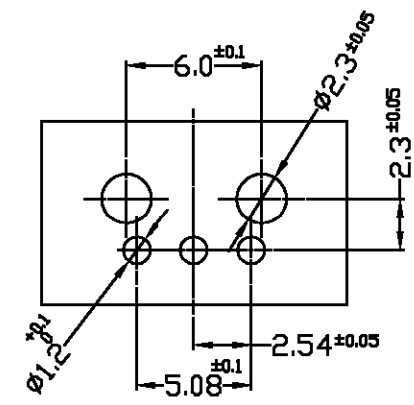
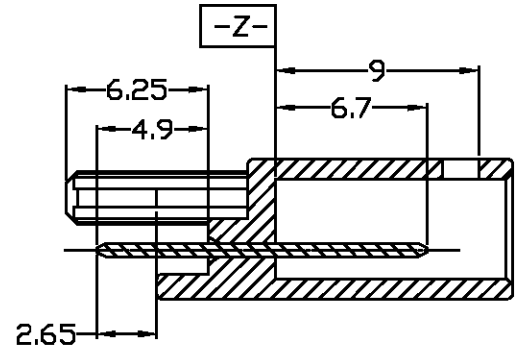
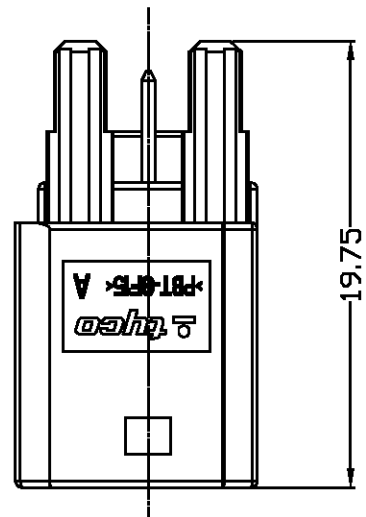
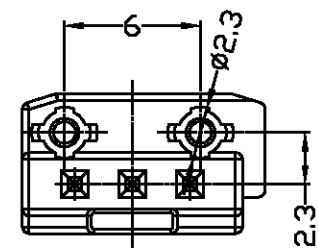
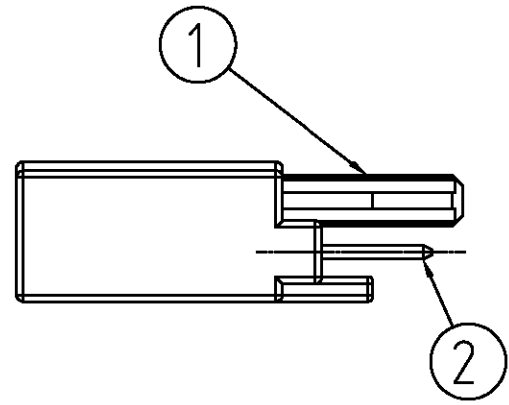
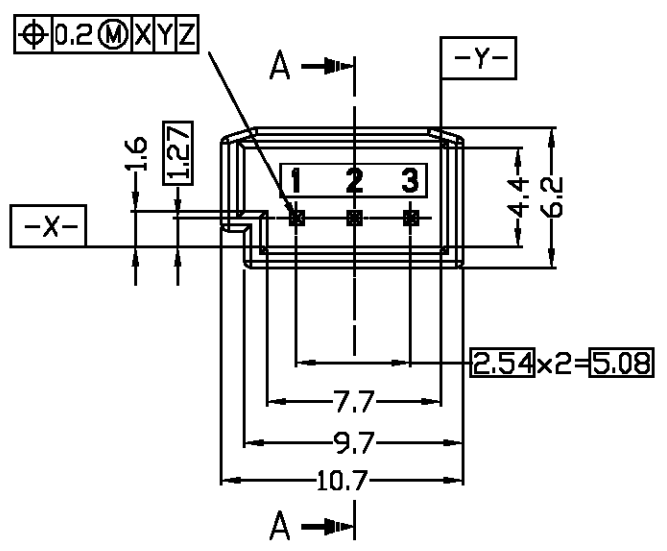


P	LTR	DESCRIPTION	DATE	DWN	APVD
	□	RELEASED (FC00-0186-04)	13/SEP/04	YD.	CS
	A	REVISED (FC00-0030-05)	25/JAN/05	YD.	CS



3D - VIEW



NOTE.
 1. PULL-OUT FORCE OF THE CONTACT : Min 25N WHEN V = 25mm/min.
 2. BE MATED WITH PLUG HSG (P/N : 965444-1) SMOOTHLY.

ASSY P/N	QTY
0-1743156-2	3
0-1743156-1	1

NO	DESCRIPTION	PART NO.	MATERIAL	COLOR/FINISH	Q'TY
2	063 SQUARE CONTACT PIN FOR HLLD	0-368314-1	PHOSPHOR BRONZE	TIN	3
1	MQS. PIN HEADER, 3Pos.	0-1743157-2	PBT GF 15	BLACK	1
	MQS. PIN HEADER, 3Pos.	0-1743157-1	PBT GF 15	NATURAL	1

THIS DRAWING IS A CONTROLLED DOCUMENT FOR TYCO ELECTRONICS CORPORATION. IT IS SUBJECT TO CHANGE AND THE CONTROLLING ENGINEERING ORGANIZATION SHOULD BE CONTACTED FOR THE LATEST REVISION.

DIMENSIONS: mm	TOLERANCES UNLESS OTHERWISE SPECIFIED: DECIMALS : ± 0.3 ANGLES : ± 3°	DWN : YD. LEE	NAME MQS, PIN HEADER ASS'Y 3Pos.(V-TYPE)
3rd ANGLE PROJECTION		CHK : BM JANG	
MATERIAL: SEE TABLE	FINISH: SEE TABLE	APVD : CS LEE	
		PRODUCT SPEC: ---	
		APPLICATION SPEC: ---	RESTRICTED TO
		WEIGHT: ---	SIZE: A3
			CAGE CODE: 00779
			DRAWING NO: 1743156
			SCALE: 3:1
			SHEET: 1 OF 1
			REV: A