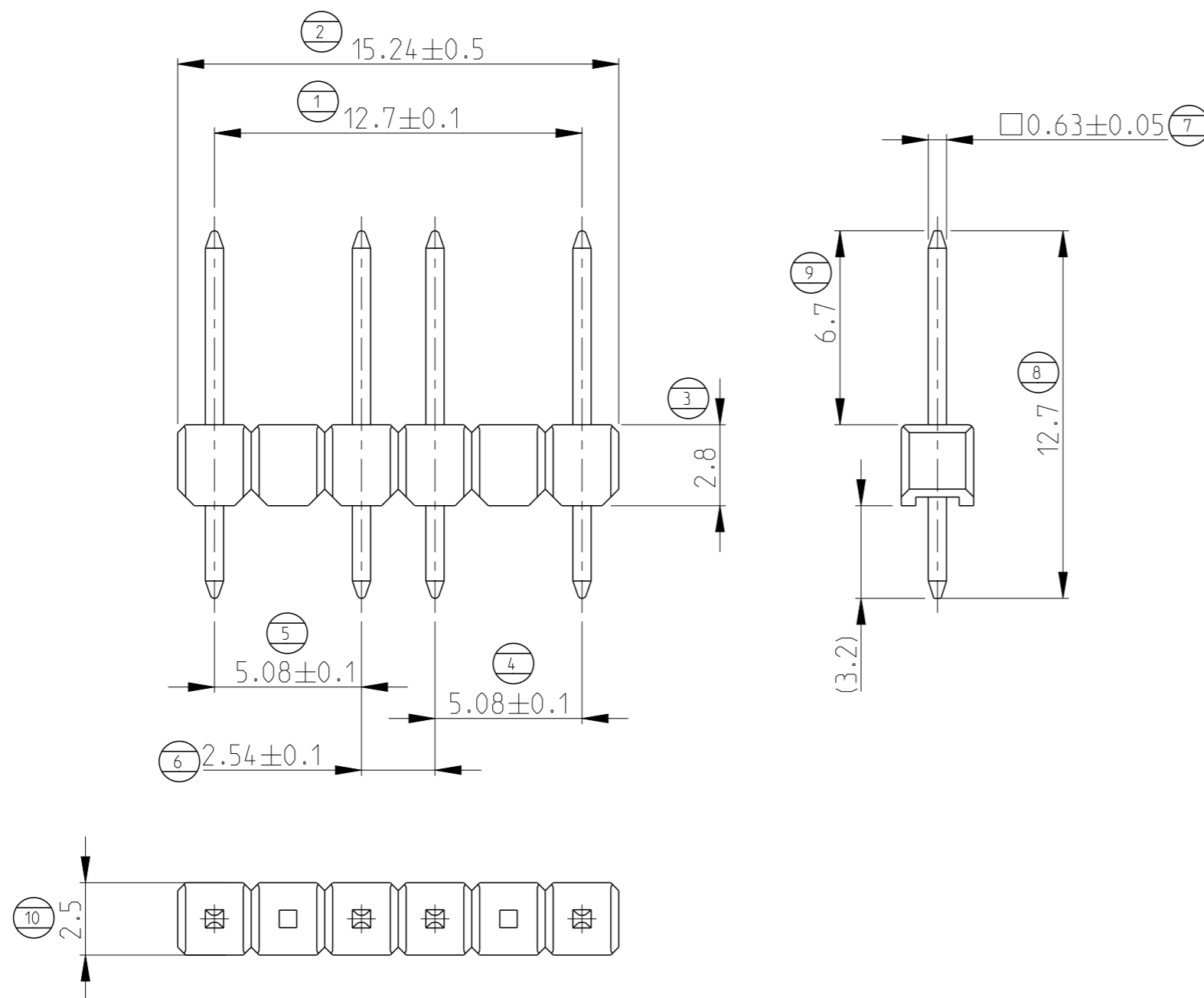


P	LTR	DESCRIPTION	DATE	DWN	APVD
	B	RESIN SUPPLIER CHANGE FOR THE HOUSING	30MAY2022	SCB	PS



-1 AS SHOWN
WIE GEZEICHNET

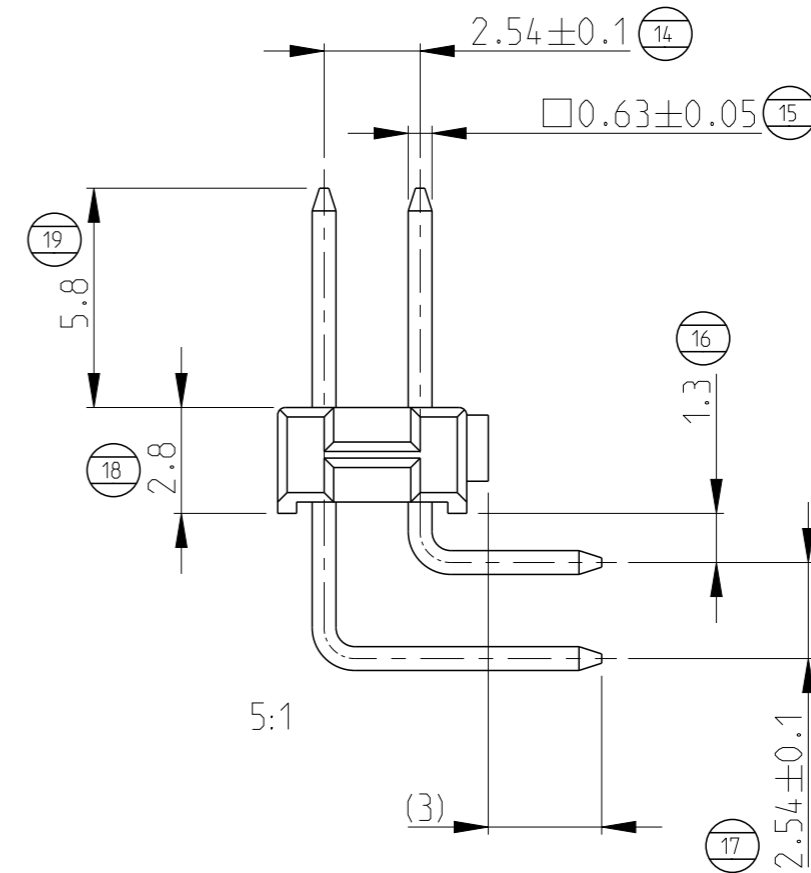
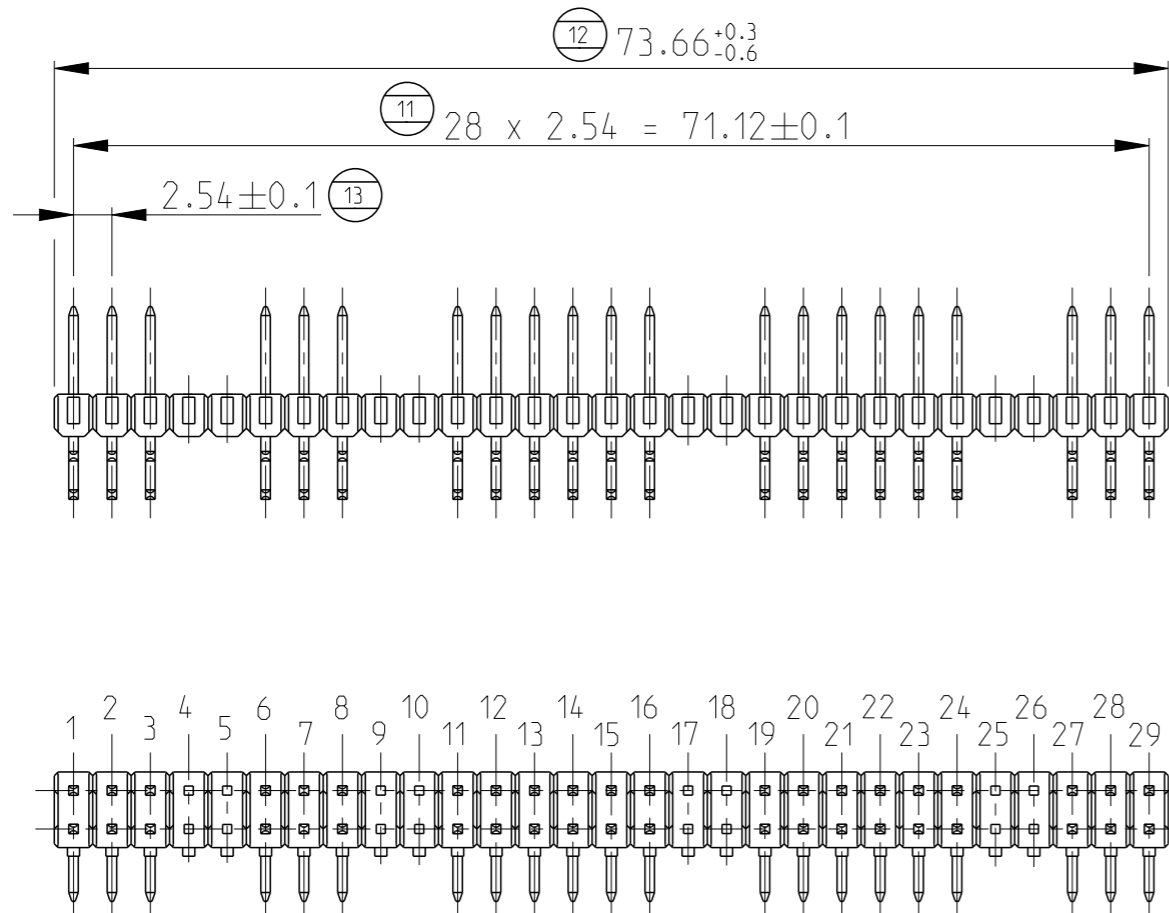
MIN. 2 µm TIN OVER 1.27 µm NICKEL	CuSn	CONTACT PIN KONTAKTSTIFT
COLOUR, GREEN	PBT GV	PIN HOUSING STIFTGEHAEUSE
SURFACE/COLOUR	MATERIAL	DESCRIPTION BEZEICHNUNG

THIS DRAWING IS A CONTROLLED DOCUMENT.		DWN G. ACKERMANN 12 JAN 2006	TE Connectivity	
		CHK M. SCHAARSCHMIDT 12 JAN 2006		
DIMENSIONS: mm		APVD G. FEELDMEIER	NAME AMP MODU II PIN HEADER RANDOM LOADED STIFTLISTE SONDERBESTUECKUNG	
TOLERANCES UNLESS OTHERWISE SPECIFIED: 0 PLC ±0.2 1 PLC ±0.2 2 PLC ±0.2 3 PLC ± 4 PLC ± ANGLES ±2°		PRODUCT SPEC -	RESTRICTED TO -	
MATERIAL -		FINISH -	APPLICATION SPEC -	WEIGHT -
CUSTOMER DRAWING			SIZE A3	CAGE CODE 00779
			DRAWING NO C=1740624	SCALE 1:1
			SHEET 1 OF 3	REV B

PIN TIPS PARTIALLY UNPLATED

2 SIMILAR TO PART 826926-6

P	LTR	DESCRIPTION	DATE	DWN	APVD
-		SEE SHEET 1	-	-	-



-2 AS SHOWN
WIE GEZEICHNET

MIN. 2 μm TIN OVER 1.27 μm NICKEL \triangle 1	CuSn	CONTACT PIN KONTAKTSTIFT
COLOUR GREEN	PBT GV	PIN HOUSING STIFTGEHAEUSE
SURFACE / COLOUR	MATERIAL	DESCRIPTION BEZEICHNUNG

\triangle 1 PIN TIPS PARTIALLY UNPLATED

2 SIMILAR TO PART 2-826955-9

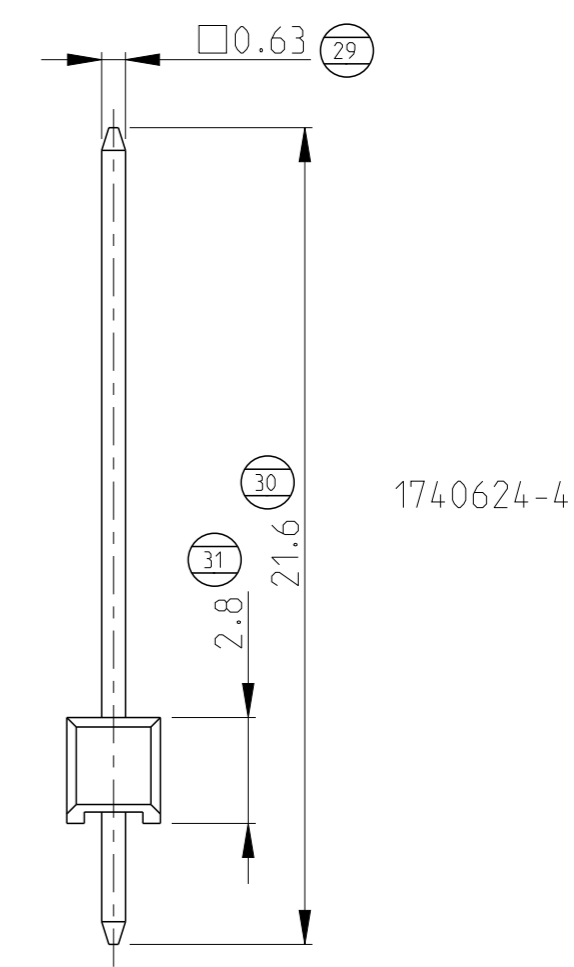
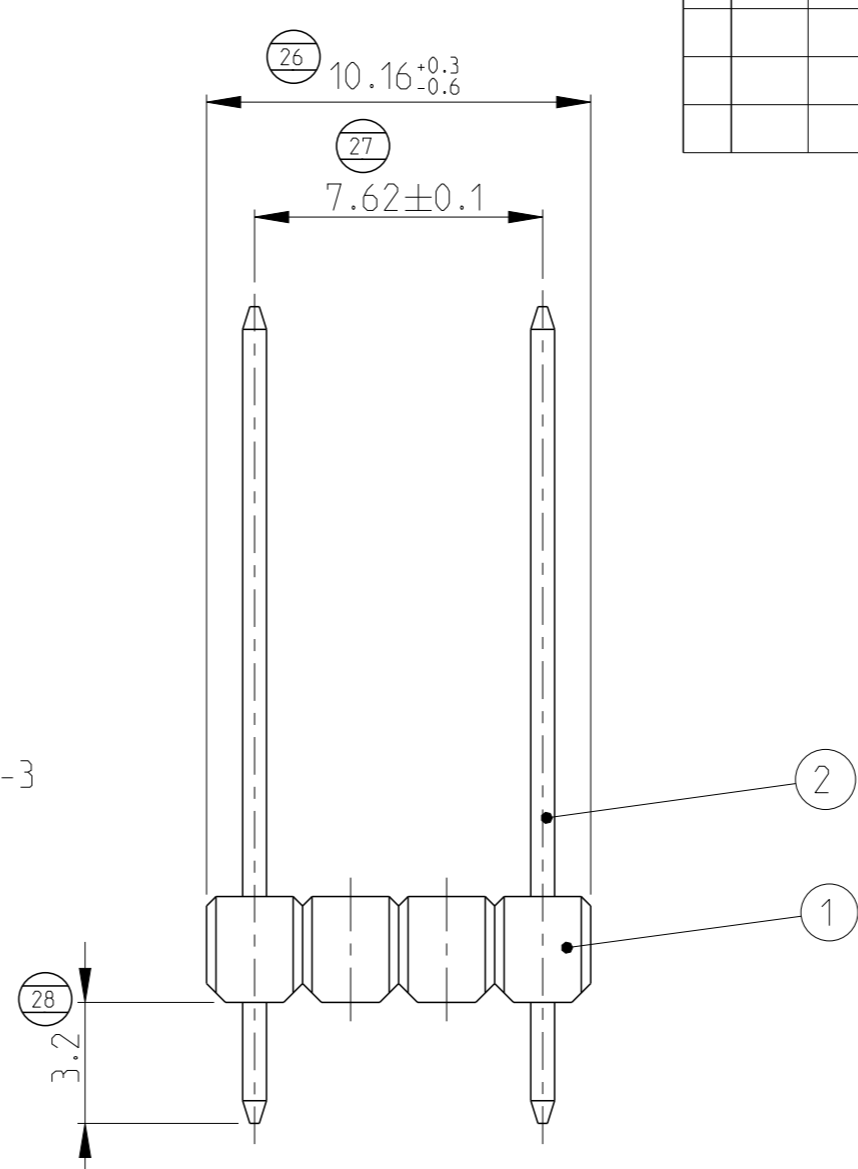
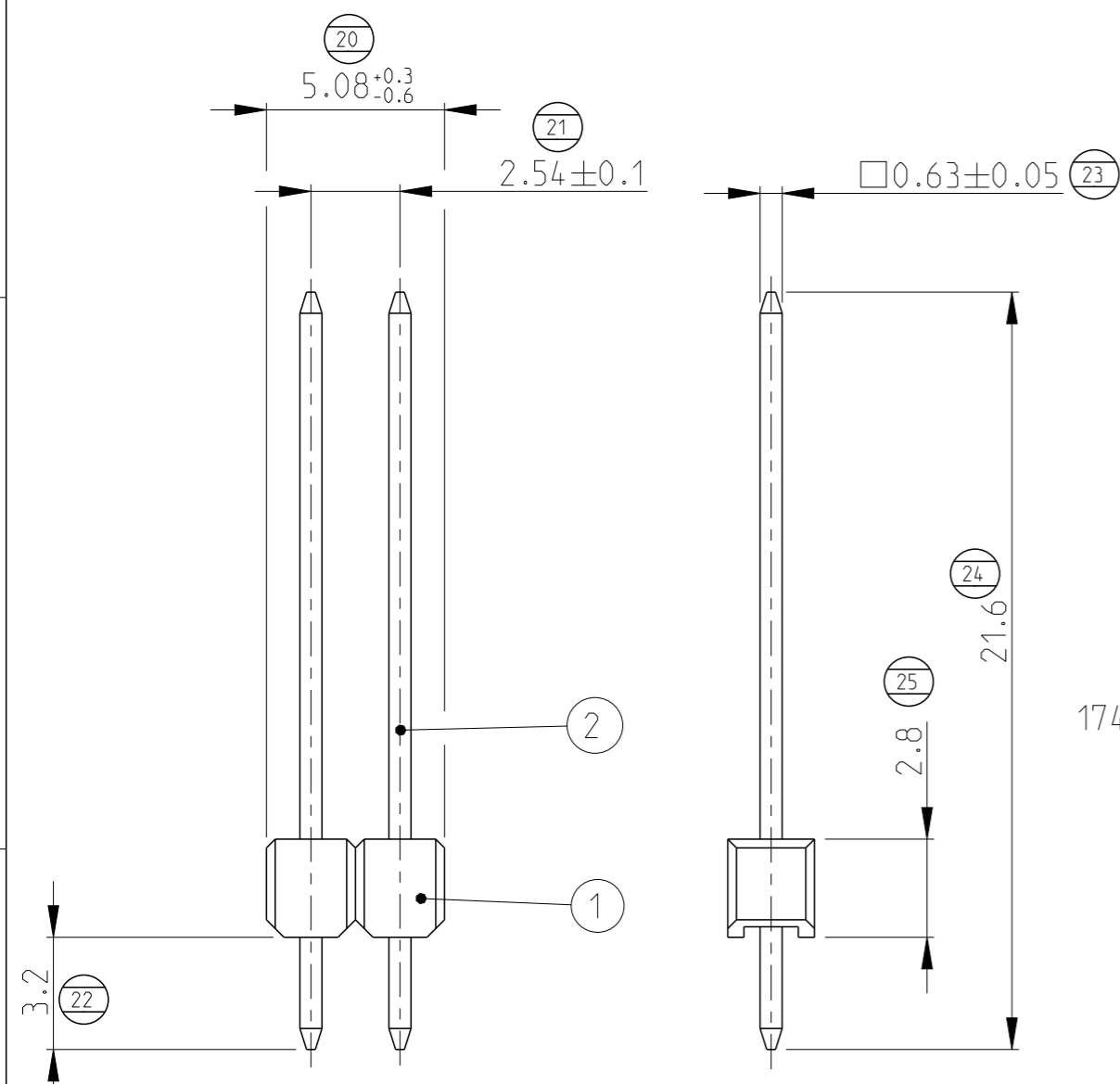
THIS DRAWING IS A CONTROLLED DOCUMENT.

DIMENSIONS:	TOLERANCES UNLESS OTHERWISE SPECIFIED:
mm	
	0 PLC ±0.2
	1 PLC ±0.2
	2 PLC ±0.2
	3 PLC ±
	4 PLC ±
	ANGLES ±2°
MATERIAL	FINISH
-	-

DWN	12 JAN 2006
G.ACKERMANN	
CHK	12 JAN 2006
M.SCHAARSCHMIDT	
APVD	-
G.FELDMEIER	
PRODUCT SPEC	
-	
APPLICATION SPEC	
-	
WEIGHT	-

TE TE Connectivity			
NAME AMP MODU II PIN HEADER RANDOM LOADED STIFTLISTE SONDERBESTUECKUNG			
SIZE	CAGE CODE	DRAWING NO	RESTRICTED TO
A3	00779	©=1740624	-
CUSTOMER DRAWING		SCALE 1:1	SHEET 2 OF 3 REV B

P	LTR	DESCRIPTION	DATE	DWN	APVD
-	-	SEE SHEET 1	-	-	-



1740624-3

1740624-4

TIN OVER NICKEL \triangle_2	CONTACT PIN KONTAKTSTIFT	CuSn	2
COLOUR BLACK	PIN HOUSING STIFTGEHAEUSE	PCT GV	1
REMARK	DESCRIPTION BEZEICHNUNG	MATERIAL	ITEM LFD. NR.

- 1 PIN TIPS PARTIALLY WITHOUT SURFACE
- \triangle_2 PRE-TIN PLATED
- 3 RECOMMENDED PCB HOLE DIAMETER $\varnothing 1 \pm 0.05$

THIS DRAWING IS A CONTROLLED DOCUMENT.

DWN G.ACKERMANN 12 JAN 2006	
CHK M.SCHAARSCHMIDT 12 JAN 2006	
APVD G.FELDMEIER	
PRODUCT SPEC -	NAME AMP MODU II PIN HEADER RANDOM LOADED STIFTELEISTE SONDERBESTUECKUNG
APPLICATION SPEC -	SIZE A3
WEIGHT -	CAGE CODE 00779
CUSTOMER DRAWING	DRAWING NO C=1740624
	RESTRICTED TO -
	SCALE 5:1
	SHEET 3 OF 3
	REV B