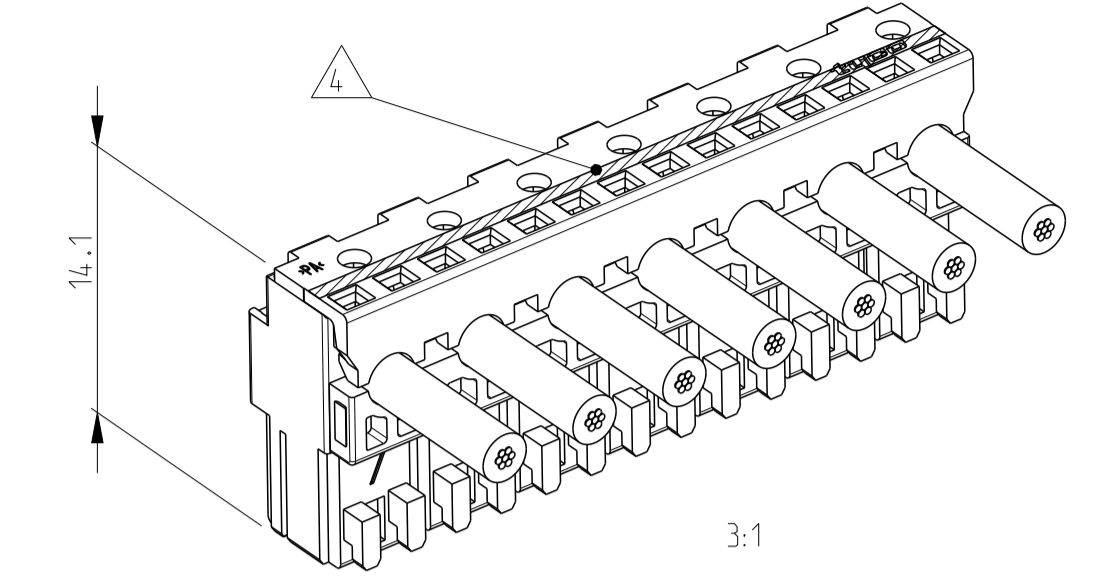


LOC	DIST	REVISIONS			
A1	-	REV	DATE	BY	APPV
B25	ECR-21-108728		16AUG2021	SM	FL
B26	ECR-21-112826		14SEP2021	SM	FL
B27	ECR-22-139251		25MAY2022	SM	FL
B28	ECR-22-141077		03MAR2023	SM	FL



- 27 SLOT FOR SIDE KEYING NARROW ON LAST CAVITY
- 26 PRELIMINARY PART NOT RELEASED FOR PRODUCTION
- 23 TE LOGO
- 24 COLOUR MARKING IN THIS AREA. COLOUR SEE TABLE.
Farbmarkierung in diesem Bereich. Farbe siehe Tabelle.
- 23 X...CAVITY LOADED WITH CONTACT
O...CAVITY WITHOUT CONTACT
X...Kammer mit Kontakt bestückt
O...Kammer ohne Kontakt
- 22 INCLUSIVE COPPER CLADDING, SINGLE OR DOUBLE SIDED
Inklusive Kupferkaschierung, ein oder doppelseitig
- 21 PCB PREFERABLY CHAMFERED
Leiterplatte vorzugsweise angefast
- 20 SLOT FOR ADDITIONAL KEYING RIB BETWEEN CAVITY NO.
Schlitz fuer zusätzliche Kodierrippe zwischen Kammer Nr.
- 19 SLOT FOR SIDE KEYING NARROW AND REDUCED, ON CAVITY NO.1
Schlitz fuer Seitenkodierung, eng und reduziert, bei Kammer Nr. 1
- 18 SLOT FOR SIDE KEYING, ON LAST CAVITY
Schlitz fuer Seitenkodierung, bei letzter Kammer
- 17 SLOT FOR SIDE KEYING, ON CAVITY NO. 1
Schlitz fuer Seitenkodierung, bei Kammer Nr. 1
- 16 IEC 60695-2-11 / IEC 60335-1 GLOW WIRE TEST 750 °C WITHOUT FLAME
IEC 60695-2-11 / IEC 60335-1 Gluehdrahttest 750 °C ohne Flamme
- 15 -
- 14 SIDE KEYING, SMALL AND HALF, ON LAST CAVITY
Seitenkodierung, schmal und halb, bei letzter Kammer
- 13 SIDE KEYING, SMALL AND HALF, ON CAVITY NO. 1
Seitenkodierung, schmal und halb, bei Kammer Nr. 1
- 11 - 12 -
- 10 SIDE KEYING, SMALL, ON LAST CAVITY
- 9 -
- 8 LOCKING HOOK BETWEEN CAVITY NO. ...
Rasthaken zwischen Kammernummer ...
- 7 ADDITIONAL KEYING RIB BETWEEN CAVITY NO.
Zusätzliche Kodierrippe zwischen Kammer Nr.
- 6 SIDE KEYING, ON LAST CAVITY
Seitenkodierung, bei letzter Kammer
- 5 SIDE KEYING, ON CAVITY NO. 1
Seitenkodierung, bei Kammer Nr. 1
- 4 COLOUR MARKING ON TOP OF HOUSING OPTIONAL ON TERMINATION MACHINE
Farbmarkierung auf Gehäuseoberseite optional an Verarbeitungsmaschine
- 3 MATING PART: PCB ACCORDING SHEET 2 OF 2
Passender Gegenstecker: Leiterplatten siehe Blatt 2 von 2
- 2 WIRE RANGE: 0.35-0.75 mm² ACCORDING TO APPLICATION SPEC 114-18996
Drahtgrößenbereich: 0.35 - 0.75 mm²; siehe Verarbeitungsspezifikation Nr.114-18996.
- 1 KEYING RIBS: CUTTING WITH TERMINATION MACHINE POSSIBLE
Kodierrippe: Schneiden auf der Verarbeitungsmaschine moeglich

28 RELEASED PART WITH PENDING AGENCY APPROVALS.
 (REF. VDE ORDER N. 295903)
 (REF. UL PROJECT N. 4790473412)

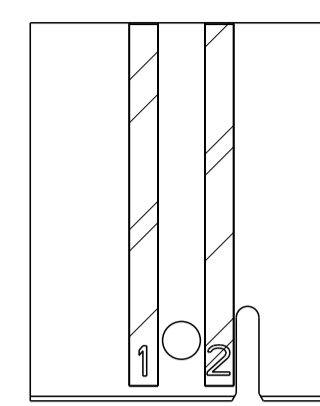
POS.	PN Bestell-Nr.	DESCRIPTION Beschreibung	MATERIAL	COLOUR/FINISH Farbe/Oberflaeche
2	SEE TABLE	CONTACT	CuNiSi	TINNED/verzinkt
1	siehe Tabelle	HOUSING	PA6 GF Δ 6	NATURE/natur

THIS DRAWING IS A CONTROLLED DOCUMENT.		OWN H. Atzmann CHK B. Schnaubelt APVD T. Klenner	O'NOV2005 O'NOV2005 O'NOV2005	TE Connectivity NAME AMP DUOPLUG POWER FEMALE CONNECTOR 2-9 POSITION (WITH PCB LOCKING)
DIMENSIONS: mm		TOLERANCES UNLESS OTHERWISE SPECIFIED: 0 PLC ± 0.2 1 PLC ± 0.2 2 PLC ± 0.2 3 PLC \pm 4 PLC \pm ANGLES \pm FINISH \pm		
MATERIAL SEE TABLE		SCALE 5:1		SHEET 1 OF 4 REV B28

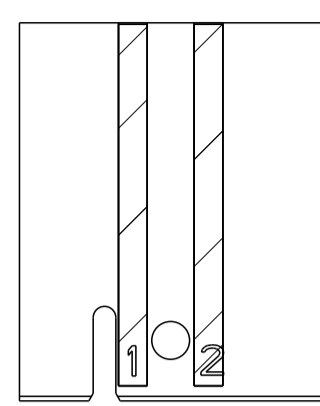
PCB LAYOUT
Leiterplattenanschluss

LOC		DIST		REVISIONS			
P	LTN	DESCRIPTION	DATE	DNW	APVD		
-	-	SEE SHEET 1	-	-	-		

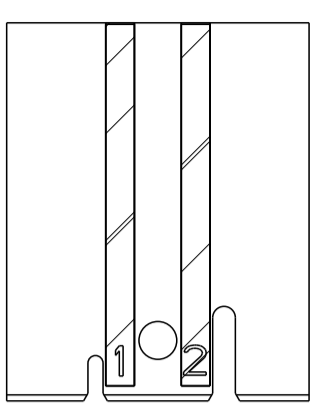
2 POSITION
2 polig



LAYOUT FOR CONNECTOR NO.
0-1740533-2

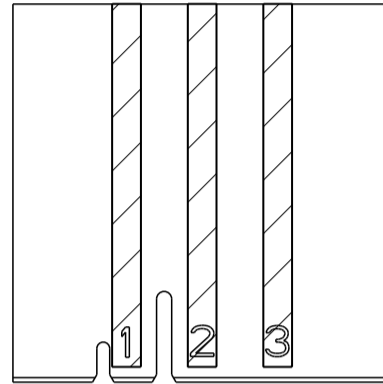


LAYOUT FOR CONNECTOR NO.
1-1740533-2

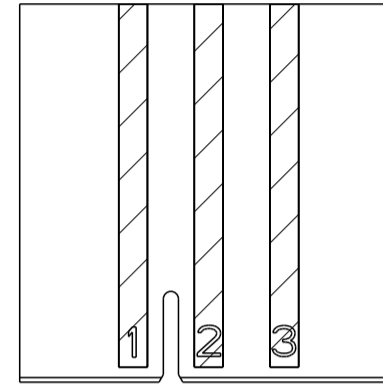


LAYOUT FOR CONNECTOR NO.
2-1740533-2

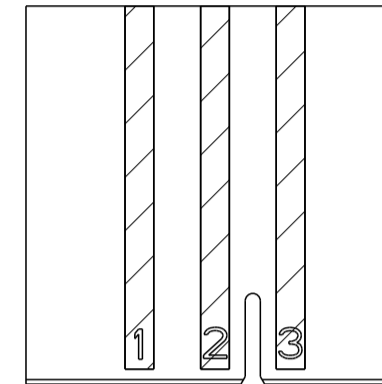
3 POSITION
3 polig



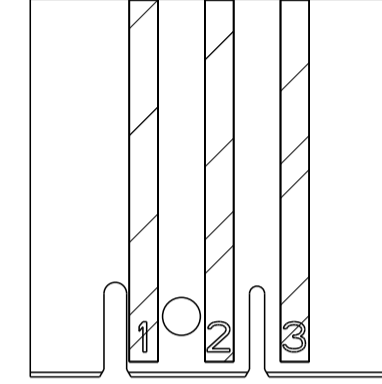
LAYOUT FOR CONNECTOR NO.
9-1740533-3



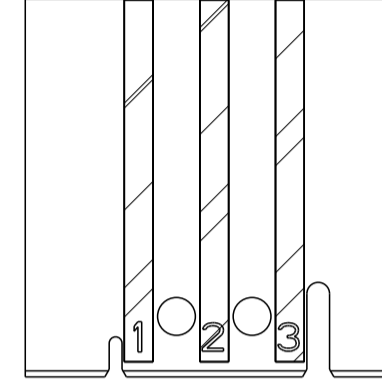
LAYOUT FOR CONNECTOR NO.
7-1740533-3



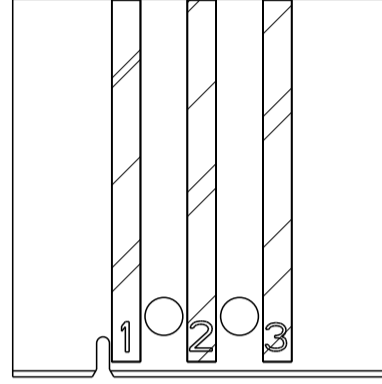
LAYOUT FOR CONNECTOR NO.
6-1740533-3



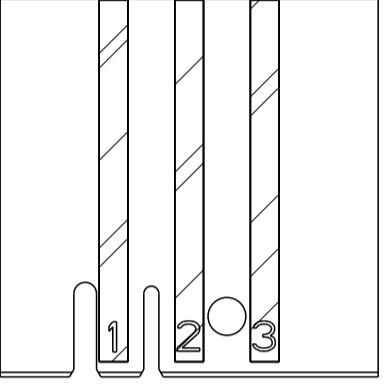
LAYOUT FOR CONNECTOR NO.
0-1740533-3



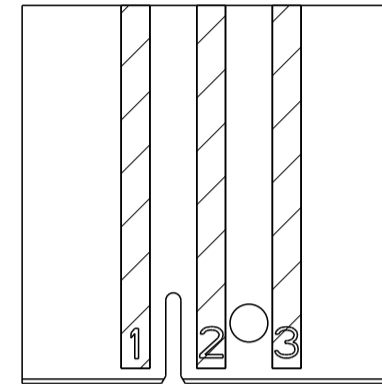
LAYOUT FOR CONNECTOR NO.
1-1740533-3
8-1740533-3



LAYOUT FOR CONNECTOR NO.
2-1740533-3

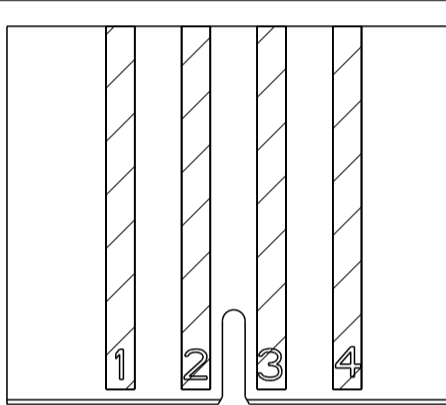


LAYOUT FOR CONNECTOR NO.
3-1740533-3 (WITHOUT PAD 3)
4-1740533-3 (WITHOUT PAD 1)

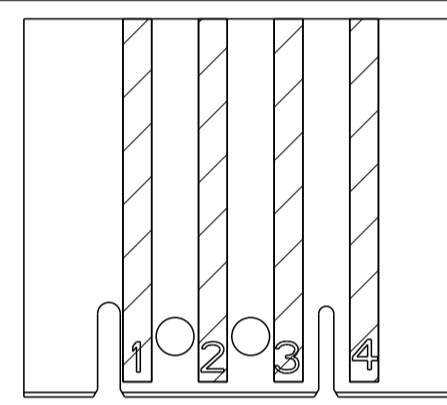


LAYOUT FOR CONNECTOR NO.
5-1740533-3

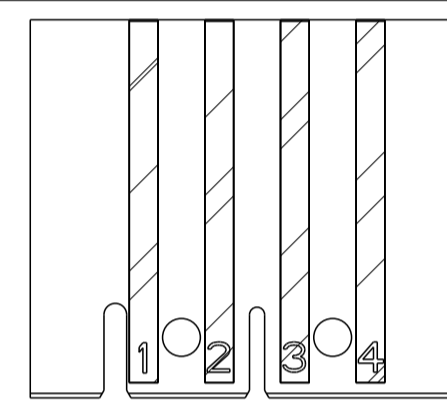
4 POSITION
4 polig



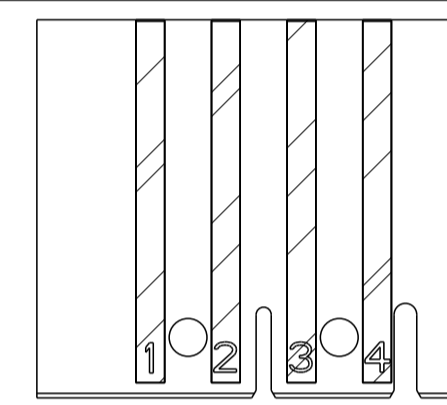
LAYOUT FOR CONNECTOR NO.
5-1740533-4



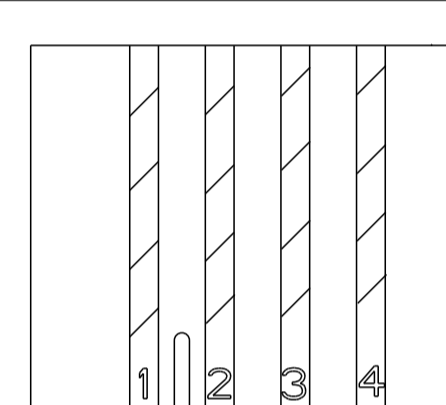
LAYOUT FOR CONNECTOR NO.
3-1740533-4



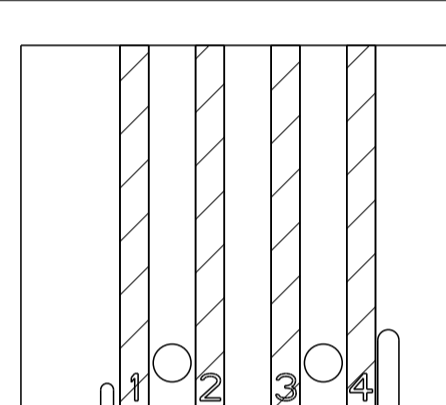
LAYOUT FOR CONNECTOR NO.
0-1740533-4 (WITHOUT PAD 2)
2-1740533-4



LAYOUT FOR CONNECTOR NO.
1-1740533-4

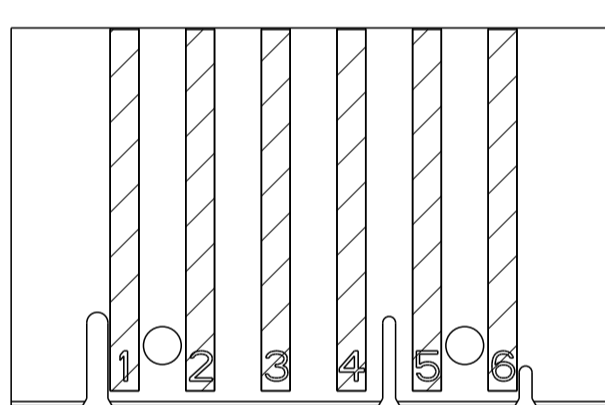


LAYOUT FOR CONNECTOR NO.
4-1740533-4

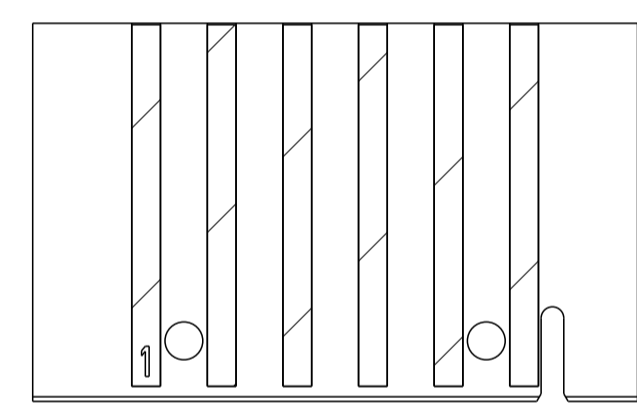


LAYOUT FOR CONNECTOR NO.
6-1740533-4

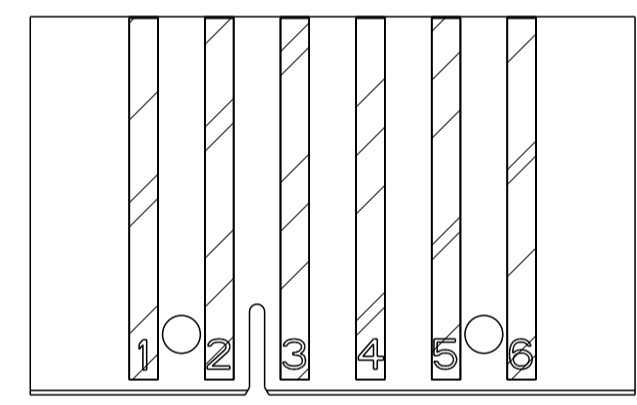
6 POSITION
6 polig



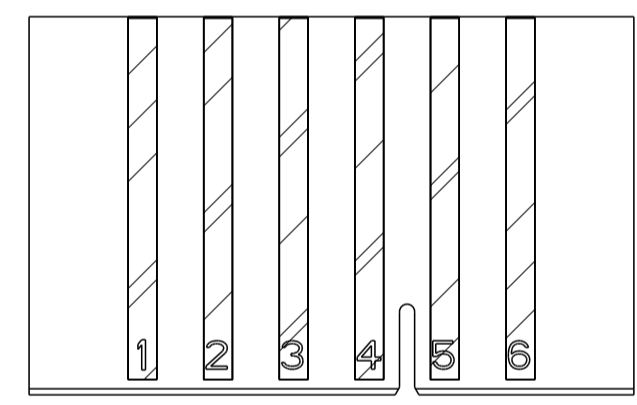
LAYOUT FOR CONNECTOR NO.
7-1740533-6



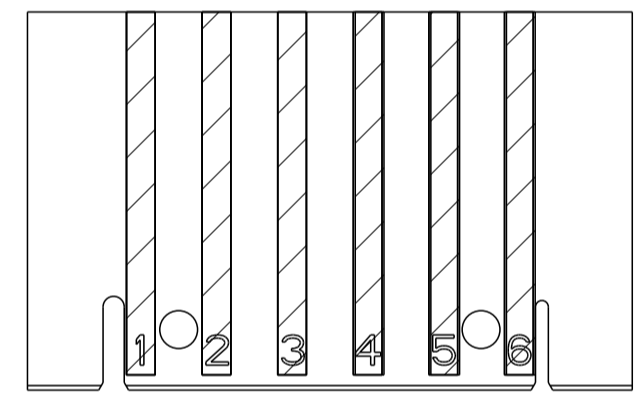
LAYOUT FOR CONNECTOR NO.
5-1740533-6



LAYOUT FOR CONNECTOR NO.
0-1740533-6 (WITHOUT PAD 2/5/6)
1-1740533-6
3-1740533-6 (WITHOUT PAD 2)

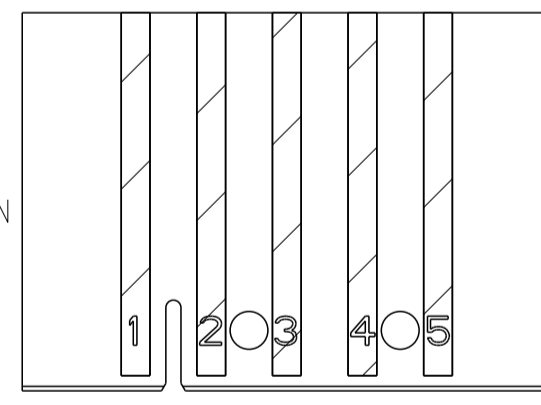


LAYOUT FOR CONNECTOR NO.
2-1740533-6



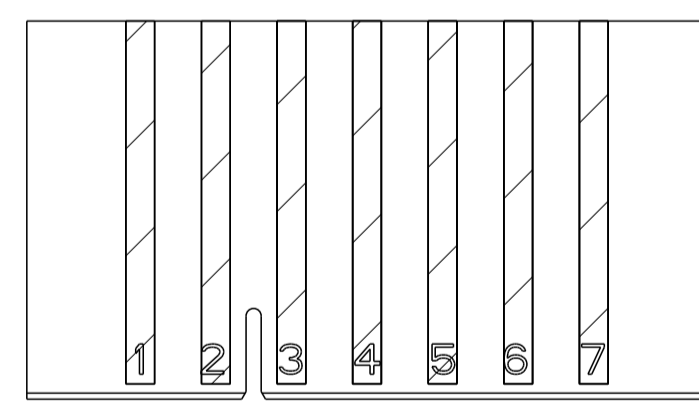
LAYOUT FOR CONNECTOR NO.
4-1740533-6

5 POSITION
5 polig

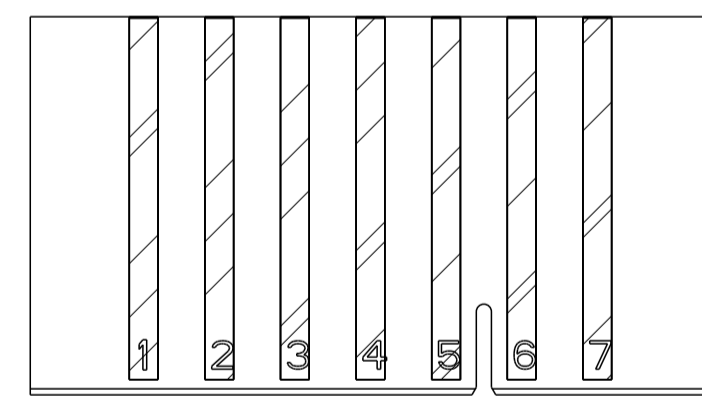


LAYOUT FOR CONNECTOR NO.
0-1740533-5

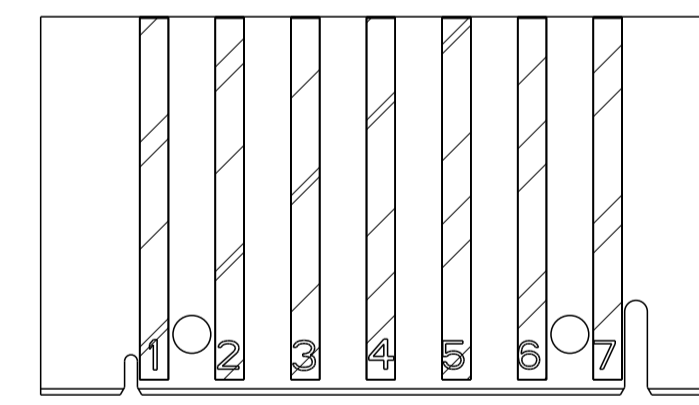
7 POSITION
7 polig



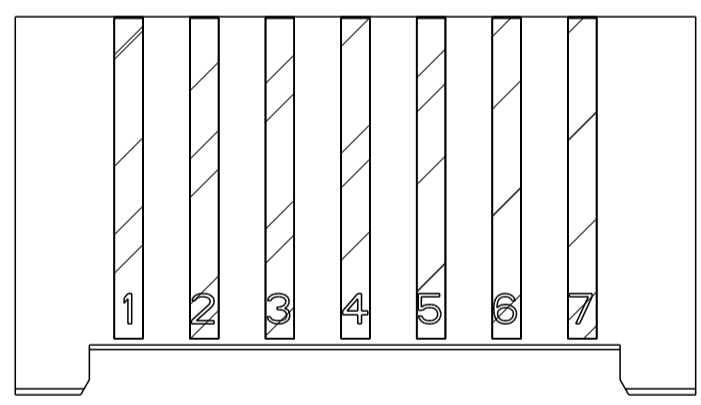
LAYOUT FOR CONNECTOR NO.
4-1740533-7



LAYOUT FOR CONNECTOR NO.
0-1740533-7

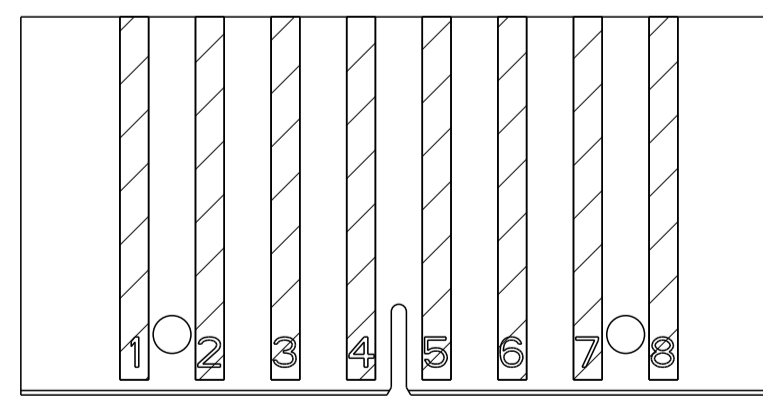


LAYOUT FOR CONNECTOR NO.
1-1740533-7

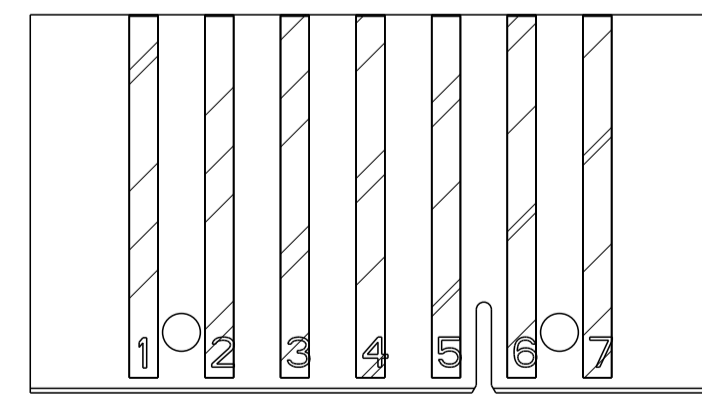


LAYOUT FOR CONNECTOR NO.
2-1740533-7

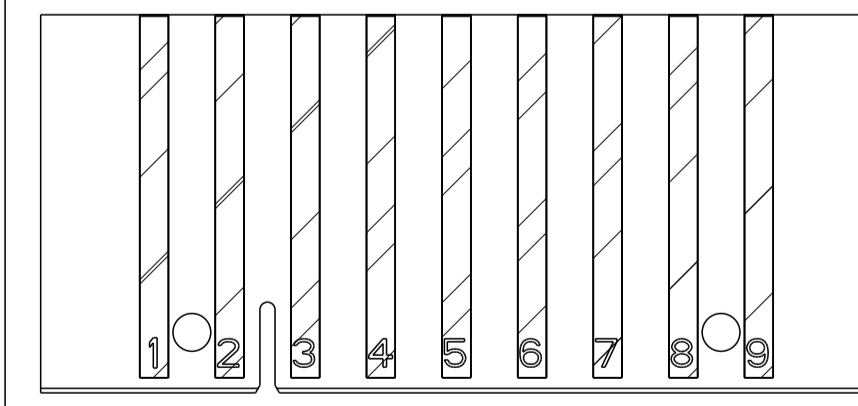
8 POSITION



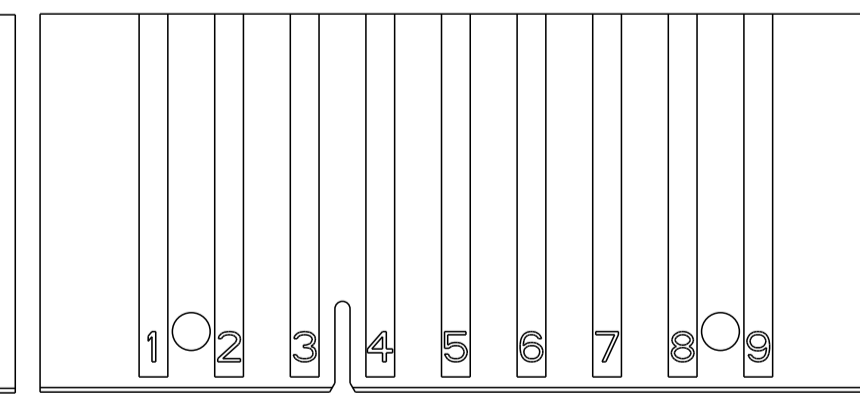
LAYOUT FOR CONNECTOR NO.
0-1740533-8



LAYOUT FOR CONNECTOR NO.
3-1740533-7



LAYOUT FOR CONNECTOR NO.
0-1740533-9
1-1740533-9 (WITHOUT PAD 9)

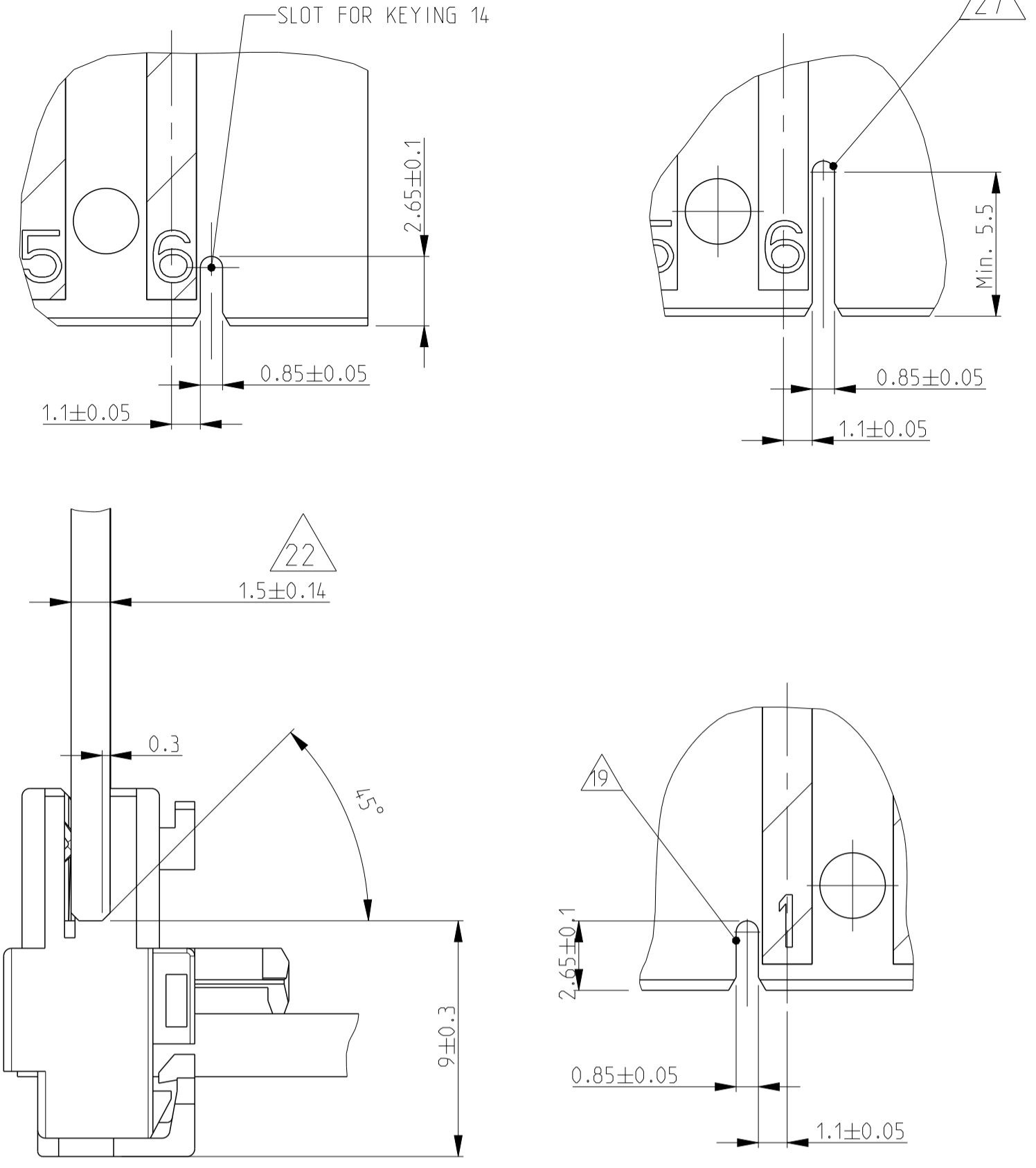
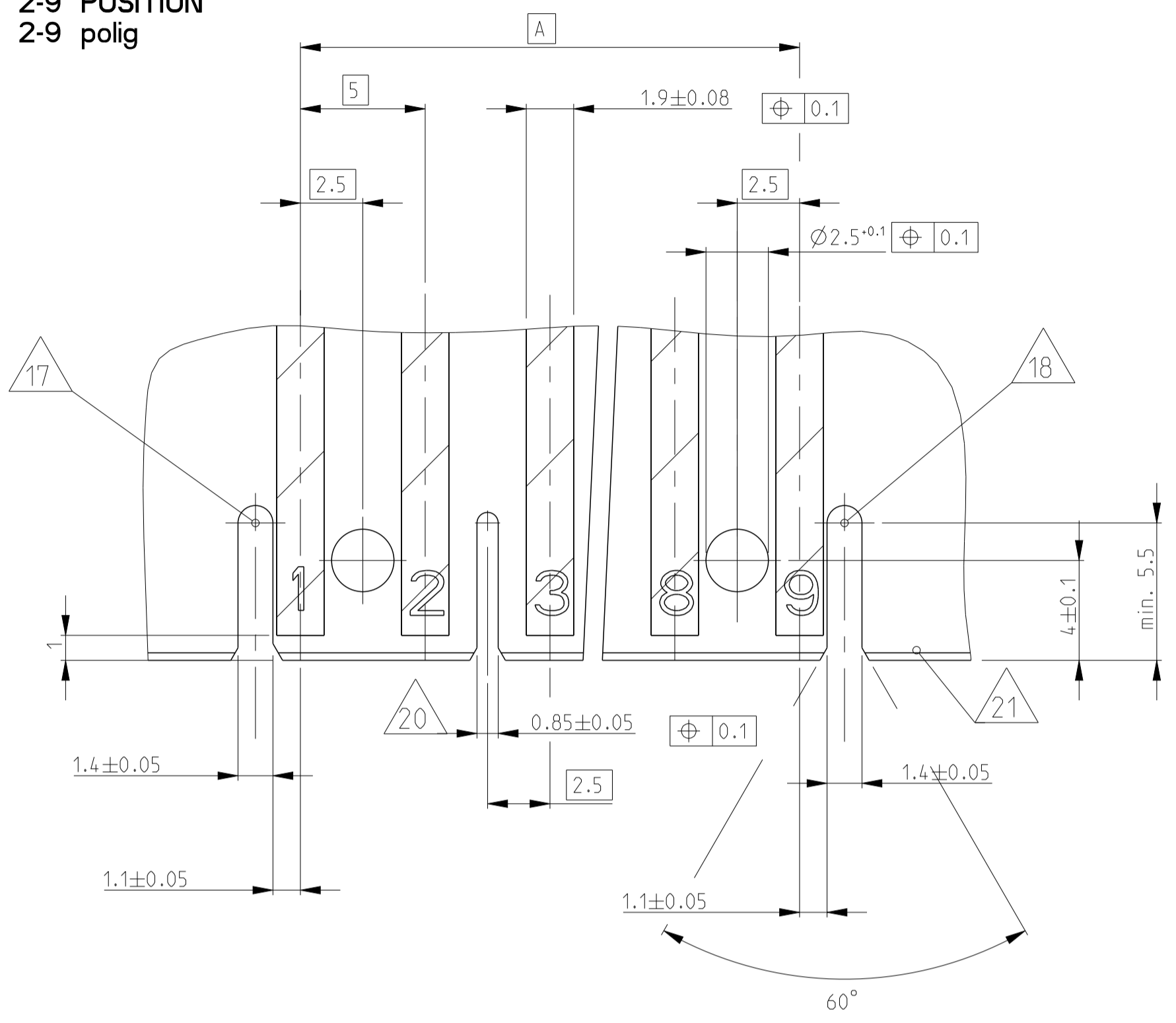


LAYOUT FOR CONNECTOR NO.
2-1740533-9

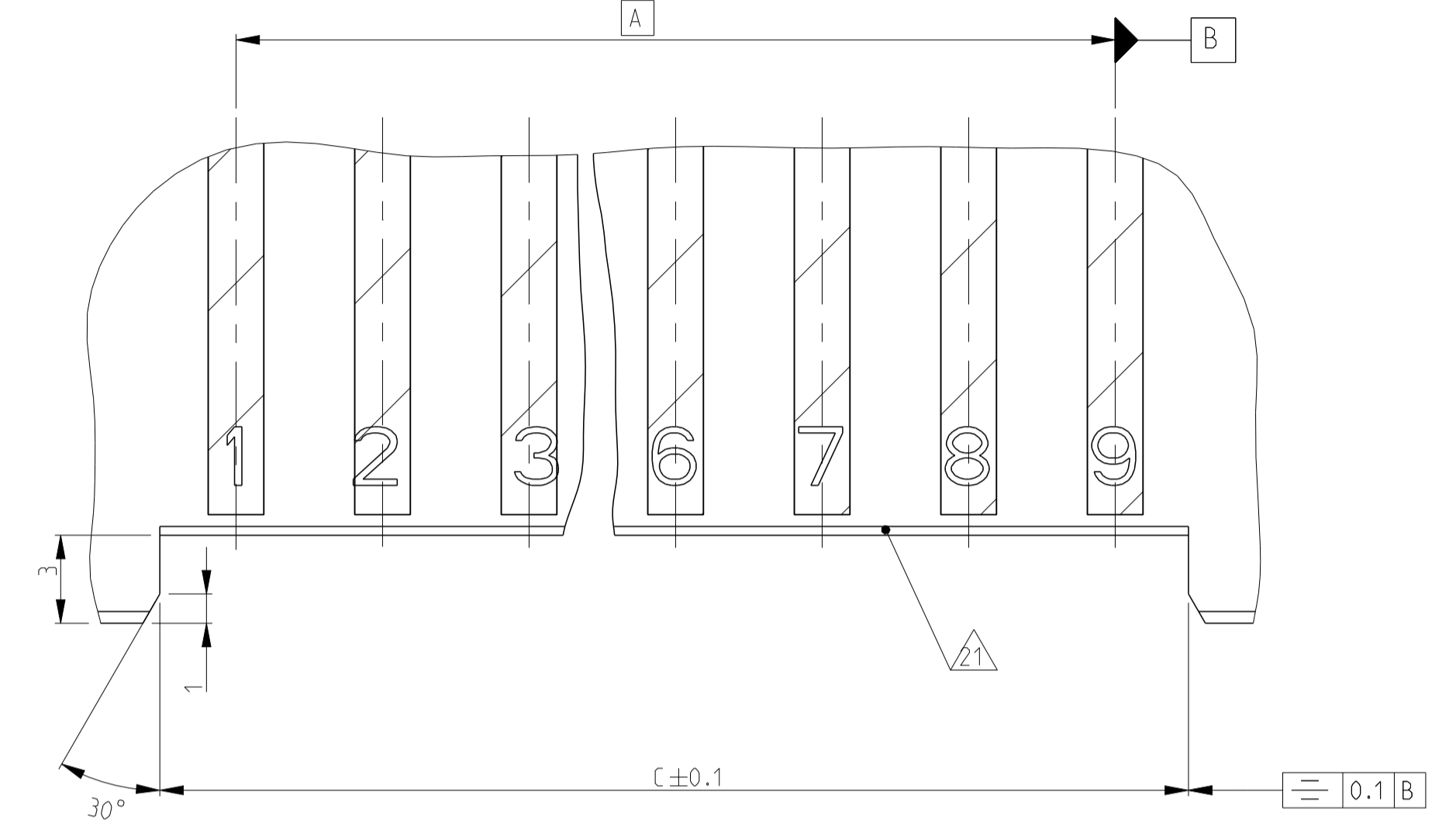
THIS DRAWING IS A CONTROLLED DOCUMENT.		DNW H. Atzmann 01NOV2005	TE Connectivity NAME AMP DUOPLUG POWER FEMALE CONNECTOR 2-9 POSITION (WITH PCB LOCKING)
DIMENSIONS: mm		CHK B. Schnaubelt 01NOV2005	
TOLERANCES UNLESS OTHERWISE SPECIFIED:		APVD T. Klenner 01NOV2005	PRODUCT SPEC 108-18780
0 PLC ±0.2 1 PLC ±0.2 2 PLC ±0.2 3 PLC ±0.2 4 PLC ±0.2 ANGLES ±0°		APPLICATION SPEC 114-18996	SIZE A1
MATERIAL SEE TABLE		FINISH SEE TABLE	RESTRICTED TO CAGE CODE DRAWING NO 00779 C=1740533
CUSTOMER DRAWING		WEIGHT	SCALE 5:1 SHEET 2 OF 4

PCB LAYOUT IN GENERAL
Leiterplattenanschluss allgemein

2-9 POSITION
 2-9 polig



**PCB LAYOUT FOR VERSIONS WITHOUT KEYING RIBS/
 LOCKING HOOKS (E. G. PN 2-1740533-7)**
**Leiterplattenanschluss fuer Version ohne Kodierrippen/
 Rasthaken (z. B. Nr. 2-1740533-7)**



LOC	DIST	REVISIONS					
		P	LTN	DESCRIPTION	DATE	DWN	APVD
A1	-	-	-	SEE SHEET 1	-	-	-

THIS DRAWING IS A CONTROLLED DOCUMENT.		OWN: SUDHAKAR 28OCT2013		TE Connectivity
DIMENSIONS: mm		CHK: SUDHAKAR 28OCT2013		
TOLERANCES UNLESS OTHERWISE SPECIFIED:		APVD: RAJENDRA 28OCT2013	NAME: AMP DUOPLUG POWER FEMALE CONNECTOR 2-9 POSITION (WITH PEB LOCKING)	
0 PLC ±0.2		PRODUCT SPEC: 108-18750	SIZE: A1	
1 PLC ±0.2		APPLICATION SPEC: 116-18996	CAGE CODE: 00779	
2 PLC ±0.2		WEIGHT: -	DRAWING NO: C=1740533	
3 PLC ±0.2		CUSTOMER DRAWING	SCALE: 5:1	
4 PLC ±0.2			SHEET 3 OF 4	
ANGLES ±° ±0°			REV: B2B	
FINISH: SEE TABLE				

LOC		DIST		REVISIONS			
A1	-	P	LTN	DESCRIPTION	DATE	DWN	APVD
		-		SEE SHEET 1	-	-	-

GWEPT 750°C NO FLAME & UL94-V2 VERSIONS																								
COLOUR	9	8	7	6	5	4	3	2	1	POS.	DIM A	DIM B	DIM C	KEYING	KEYING	KEYING	KEYING	KEYING	KEYING	LOCKING HOOK	PN Bestell-Nr.			
	X	X	X	X	X	X	X	X	X	9	40	44.9	-	-	-	-	-	-	-	3/4	-	-	1/2 + 8/9	2-1740533-9
GREEN	0	X	X	X	X	X	X	X	X	9	40	44.9	-	-	-	-	-	-	-	2/3	-	-	1/2 + 8/9	1-1740533-9
GREEN	X	X	X	X	X	X	X	X	X	9	40	44.9	-	-	-	-	-	-	-	2/3	-	-	1/2 + 8/9	0-1740533-9
		X	X	X	X	X	X	X	X	8	35	39.9	-	-	-	X	-	-	-	X	-	-	1/2 + 7/8	1-1740533-8
		X	X	X	X	X	X	X	X	8	35	39.9	-	-	-	-	-	-	-	4/5	-	-	1/2 + 7/8	0-1740533-8
		X	X	X	X	X	X	X	X	7	30	34.9	-	-	-	-	-	-	-	2/3	-	-	-	4-1740533-7
		X	X	X	X	X	X	X	X	7	30	34.9	-	-	-	-	-	-	-	5/6	-	-	1/2 + 6/7	3-1740533-7
		X	X	X	X	X	X	X	X	7	30	34.9	35.1	-	-	-	-	-	-	-	-	-	-	2-1740533-7
		X	X	X	X	X	X	X	X	7	30	34.9	-	-	-	X	-	-	-	X	-	-	1/2 + 6/7	1-1740533-7
		X	X	X	X	X	X	X	X	7	30	34.9	-	-	-	-	-	-	-	5/6	-	-	-	0-1740533-7
		X	X	X	X	X	X	X	X	6	25	29.9	-	X	-	-	-	-	-	4/5	-	X	1/2 + 5/6	7-1740533-6
		X	X	X	X	X	X	X	X	6	25	29.9	-	-	-	-	-	-	-	X	-	-	1/2 + 5/6	6-1740533-6
		X	X	X	X	X	X	X	X	6	25	29.9	-	-	-	-	-	-	-	X	-	-	1/2 + 5/6	5-1740533-6
		X	X	X	X	X	X	X	X	6	25	29.9	-	-	-	X	-	-	-	-	-	X	1/2 + 5/6	4-1740533-6
BLACK										6	25	29.9	-	-	-	-	-	-	-	2/3	-	-	1/2 + 5/6	3-1740533-6
										6	25	29.9	-	-	-	-	-	-	-	4/5	-	-	-	2-1740533-6
BLACK										6	25	29.9	-	-	-	-	-	-	-	2/3	-	-	1/2 + 5/6	1-1740533-6
BLACK										6	25	29.9	-	-	-	-	-	-	-	2/3	-	-	1/2 + 5/6	0-1740533-6
										5	20	24.95	-	-	-	X	-	-	-	1/2	X	-	4/5	3-1740533-5
										5	20	24.95	-	-	-	-	-	-	-	2/3	-	-	1/2 + 4/5	1-1740533-5
										5	20	24.95	-	-	-	-	-	-	-	1/2	-	-	2/3 + 4/5	0-1740533-5
										4	15	19.9	-	-	-	X	-	-	-	3/4	-	-	1/2	8-1740533-4
										4	15	19.9	-	-	-	-	-	-	-	1/2	-	-	3/4	7-1740533-4
										4	15	19.9	-	-	-	X	-	-	-	X	-	-	1/2 + 3/4	6-1740533-4
										4	15	19.9	-	-	-	-	-	-	-	2/3	-	-	-	5-1740533-4
										4	15	19.9	-	-	-	-	-	-	-	1/2	-	-	-	4-1740533-4
BROWN										4	15	19.9	-	-	-	-	-	-	-	3/4	-	X	1/2 + 2/3	3-1740533-4
BROWN										4	15	19.9	-	-	-	-	-	-	-	2/3	-	X	1/2 + 3/4	2-1740533-4
BLUE										4	15	19.9	-	-	-	-	-	-	-	2/3	X	-	1/2 + 3/4	1-1740533-4
BROWN										4	15	19.9	-	-	-	-	-	-	-	2/3	-	X	1/2 + 3/4	0-1740533-4
										3	10	14.9	-	-	-	X	-	-	-	1/2	-	-	-	9-1740533-3
BLUE										3	10	14.9	-	-	-	X	-	-	-	X	-	-	1/2 + 2/3	8-1740533-3
										3	10	14.9	-	-	-	-	-	-	-	1/2	-	-	-	7-1740533-3
										3	10	14.9	-	-	-	-	-	-	-	2/3	-	-	-	6-1740533-3
										3	10	14.9	-	-	-	-	-	-	-	1/2	-	-	2/3	5-1740533-3
BLACK										3	10	14.9	-	-	-	-	-	-	-	1/2	-	X	2/3	4-1740533-3
BLACK										3	10	14.9	-	-	-	-	-	-	-	1/2	-	-	2/3	3-1740533-3
										3	10	14.9	-	-	-	X	-	-	-	-	-	-	1/2 + 2/3	2-1740533-3
										3	10	14.9	-	-	-	X	-	-	-	X	-	-	1/2 + 2/3	1-1740533-3
BLACK										3	10	14.9	-	-	-	-	-	-	-	2/3	-	X	1/2	0-1740533-3
										2	5	9.9	-	-	-	X	-	-	-	1/2	-	-	-	2-1740533-2
RED										2	5	9.9	-	-	-	-	-	-	-	-	-	X	1/2	1-1740533-2
GREEN										2	5	9.9	-	-	-	-	-	-	-	-	-	X	1/2	0-1740533-2
COLOUR	9	8	7	6	5	4	3	2	1	POS.	DIM A	DIM B	DIM C	KEYING	KEYING	KEYING	KEYING	KEYING	KEYING	KEYING	KEYING	LOCKING HOOK	PN Bestell-Nr.	

GWEPT 750°C NO FLAME & UL94-V0 VERSIONS																								
COLOUR	9	8	7	6	5	4	3	2	1	POS	DIM A	DIM B	DIM C	KEYING	KEYING	KEYING	KEYING	KEYING	KEYING	LOCKING HOOK	PART NO			
RED	X	X	X	X	X	X	X	X	X	8	35	39.9	-	-	-	-	-	-	-	2/3	-	-	1/2 + 7/8	3-2395228-8
	X	X	X	X	X	X	X	X	X	8	35	39.9	-	-	-	-	-	-	-	3/4	-	-	1/2 + 7/8	2-2395228-8
										6	25	29.9	-	-	-	-	-	-	-	2/3	X	X	1/2 + 5/6	8-2395228-6
										4	15	19.9	-	-	-	-	-	-	-	X	-	-	1/2 + 3/4	6-2395228-4
										3	10	14.9	-	-	-	-	-	-	-	X	-	-	1/2 + 2/3	1-2395228-3
										2	5	9.9	-	-	-	-	-	-	-	X	-	-	1/2	2-2395228-2

THIS DRAWING IS A CONTROLLED DOCUMENT. DWN: H. Atzmann, CHK: B. Schnaubelt, APVD: T. Klenner. DATE: 01NOV2005. NAME: AMP DUOPLUG POWER FEMALE CONNECTOR 2-9 POSITION (WITH PEB LOCKING). SIZE: A1, CAGE CODE: 00779, DRAWING NO: 1740533, SHEET 4 OF 4, SCALE: 5:1, REV: B2B.