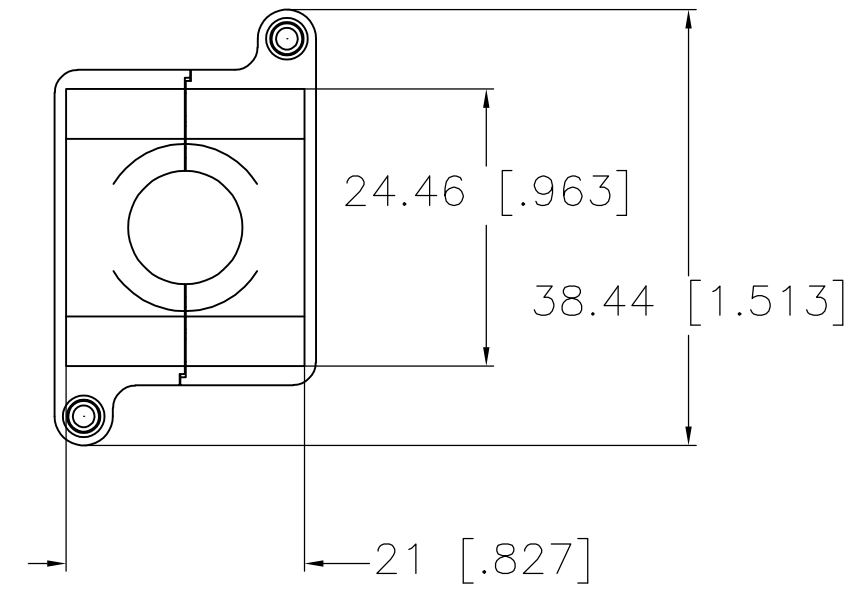
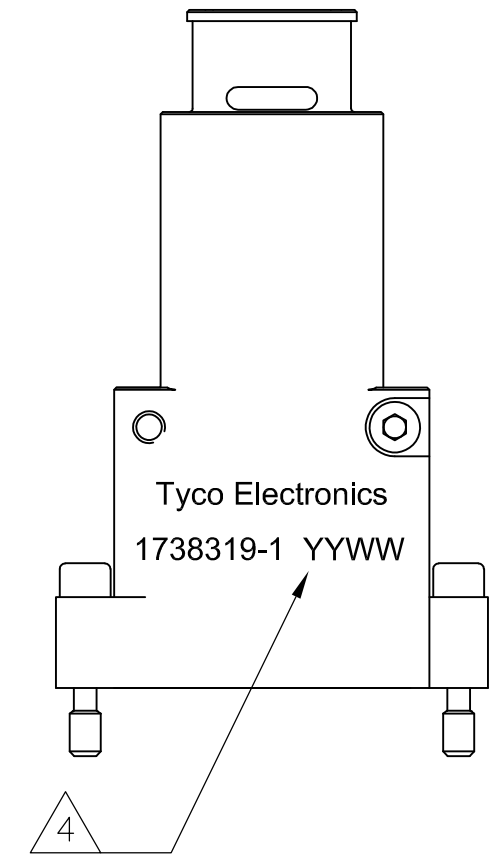
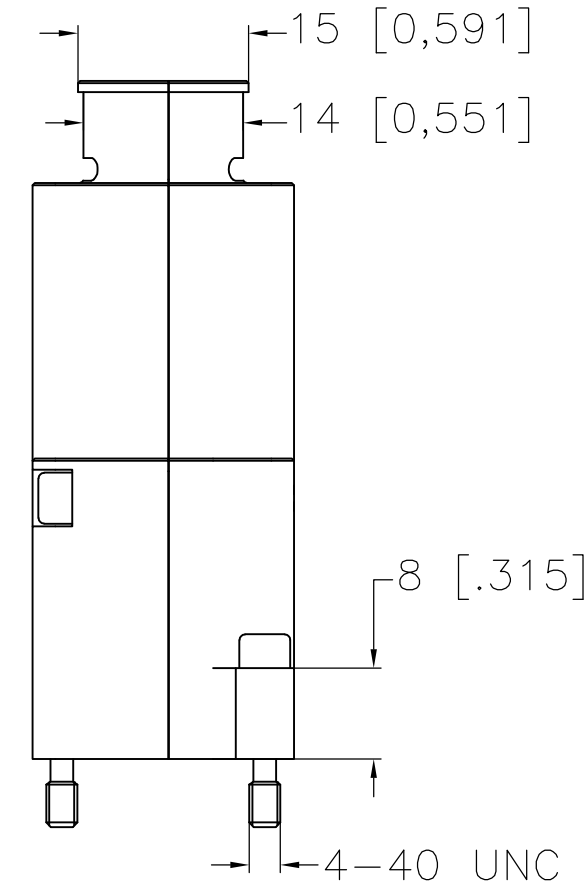
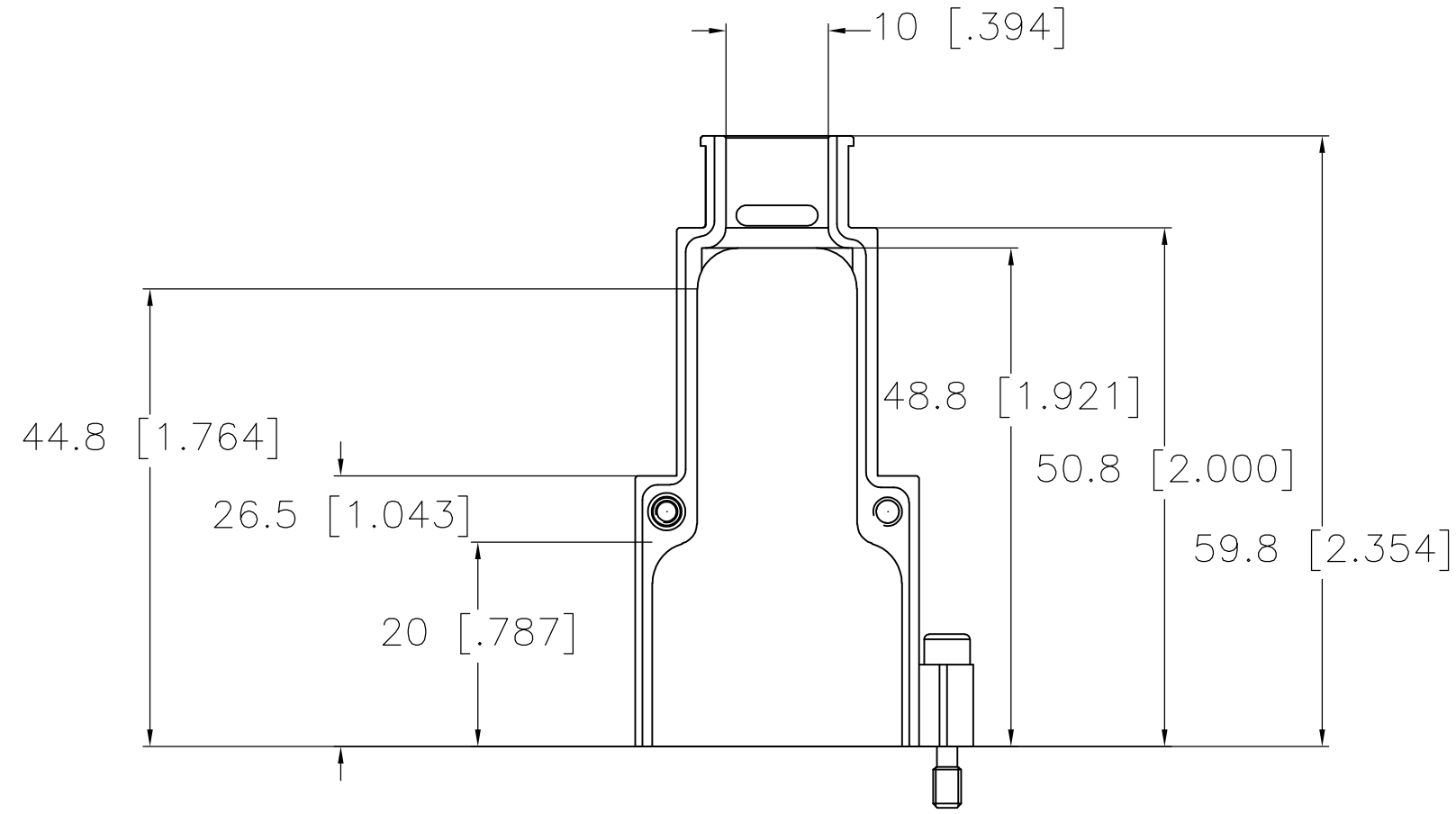
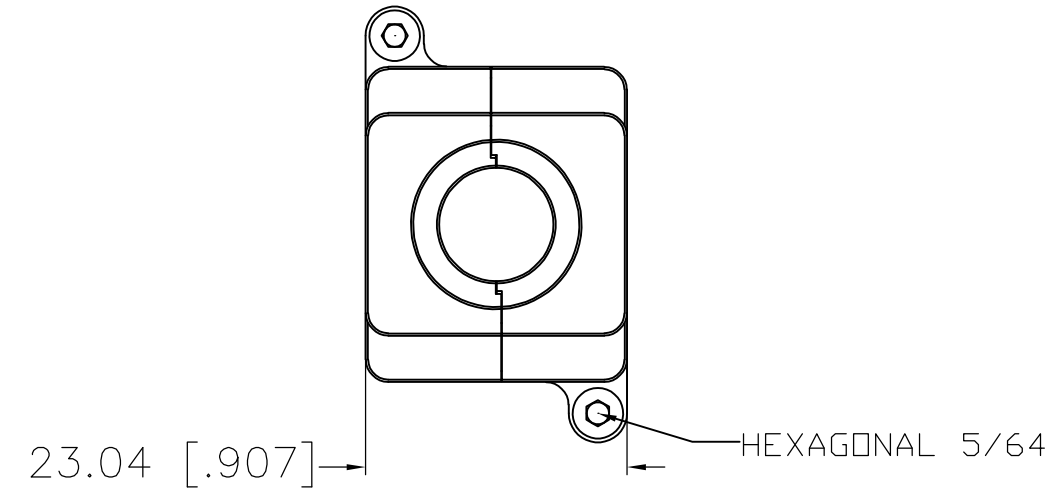


THIS DRAWING IS UNPUBLISHED. RELEASED FOR PUBLICATION  
 © COPYRIGHT BY TYCO ELECTRONICS CORPORATION. ALL INTERNATIONAL RIGHTS RESERVED.

LOC	DIST	REVISIONS			
P	LTR	DESCRIPTION	DATE	DWN	APVD
DF	00				
	0	CONVERTED RADIALL DWG TO TYCO ACAD DWG	09/03	-	-
	1	REVISED	22APR10	RF	JM



THIS PRINT IS  
**PRELIMINARY**  
 UNQUALIFIED PRODUCT  
 CONTACT PRODUCT ENGINEERING  
 BEFORE USING THIS PRINT

- 1 SHELL : ALUMINUM ALLOY  
SCREWS : STAINLESS STEEL 303
- 2 SHELLS : ELECTROLYTIC NICKEL OVER ELECTROLESS NICKEL
- 3. THIS PRODUCT IS SOLD BY TYCO ELECTRONICS UNDER A LICENSE FROM RADIALL SA.
- 4 DATE CODE - YEAR & WEEK (YY-WW)

1738319-1  
 PART NUMBER

THIS DRAWING IS A CONTROLLED DOCUMENT.		DWN R FLAIG SEP03	Tyco Electronics Corporation Harrisburg, PA 17105-3608	
DIMENSIONS: mm [INCHES]		CHK J MOSIER SEP03	NAME GPR-A STRAIGHT BACKSHELL	
TOLERANCES UNLESS OTHERWISE SPECIFIED:		APVD J MOSIER SEP03	SIZE A2	CAGE CODE 00779
0 PLC ± -		PRODUCT SPEC	DRAWING NO 1738319	RESTRICTED TO
1 PLC ± -		APPLICATION SPEC	SCALE 1:1	SHEET 1 OF 1
2 PLC ± 0.20 [.008]		WEIGHT	REV 1	
3 PLC ± -		CUSTOMER DRAWING		
4 PLC ± -				
ANGLES ± -				
FINISH				