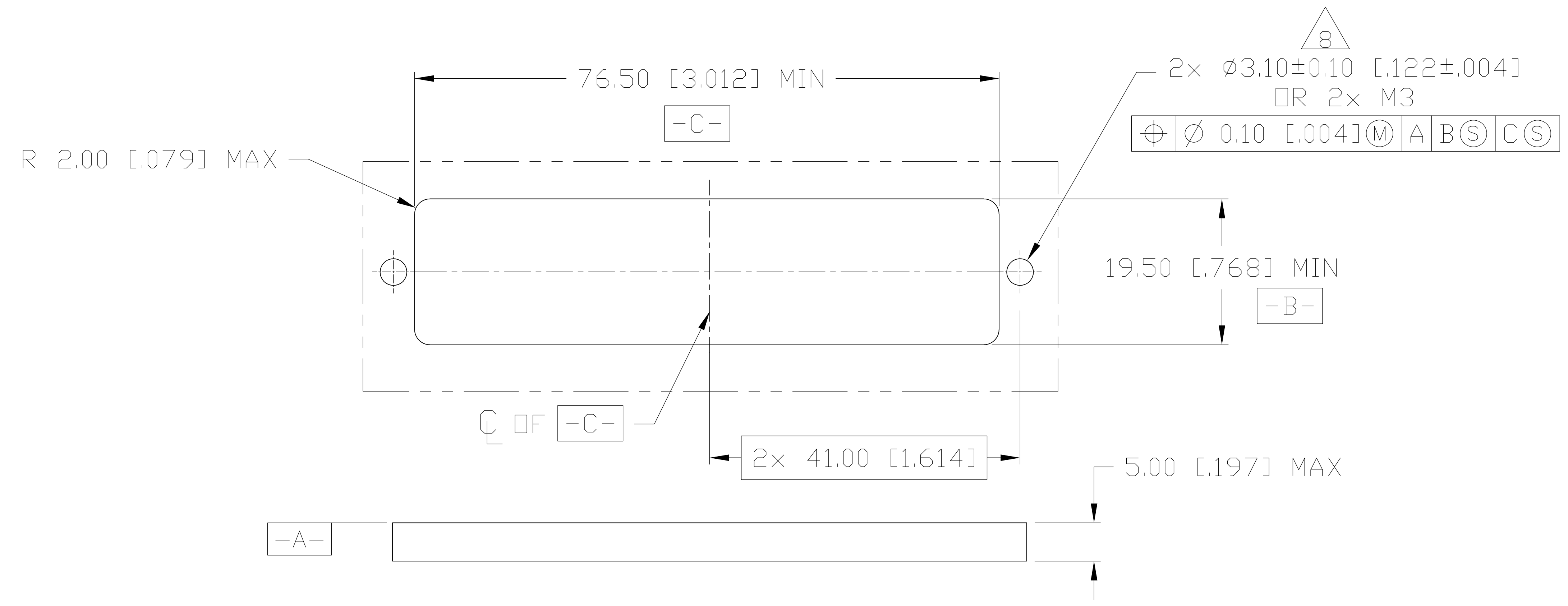
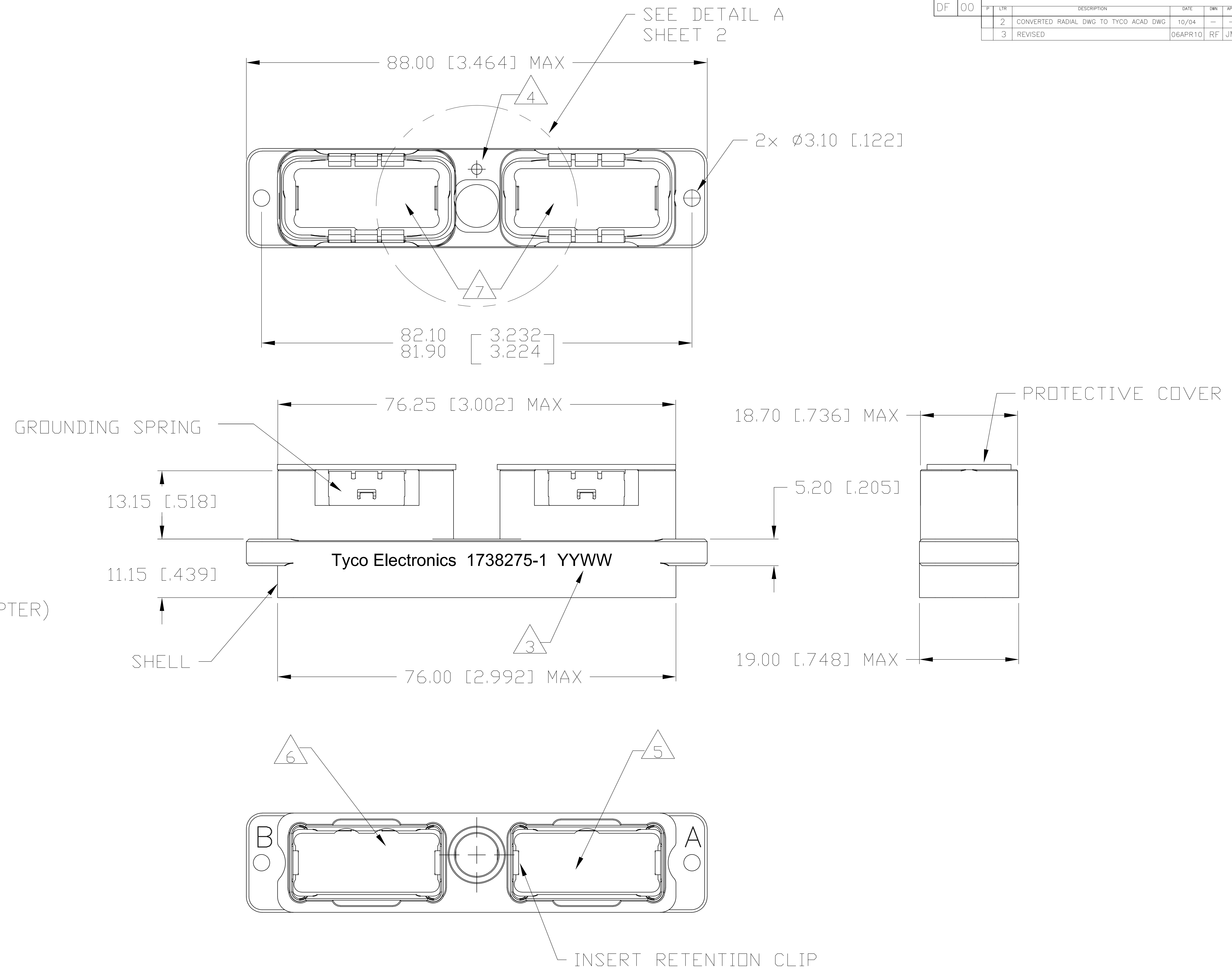


| REVISIONS |       |                                       |    |       |
|-----------|-------|---------------------------------------|----|-------|
| REV       | DATE  | DESCRIPTION                           | BY | APP'D |
| 2         | 10/04 | CONVERTED RADIAL DWG TO TYCO ACAD DWG | RF | JM    |
| 3         |       | REVISED                               | RF | JM    |

- 1 SHELL: ALUMINUM ALLOY 6061 T651  
INSERT RETENTION CLIP & GROUNDING SPRING: COPPER ALLOY PER ASTM B194  
JACKNUT: STAINLESS STEEL PER AISI 316  
JACKNUT SPRING & RETAINING NUT: STAINLESS STEEL PER AISI 302  
PROTECTIVE COVER: THERMOPLASTIC ELASTOMER
- 2 SHELL: ELECTROLESS NICKEL PER SAE AMS-C-26074, CLASS 1.  
GROUNDING SPRING: ELECTROLYTIC NICKEL PER SAE AMS-QQ-N-290.
- 3 DATE CODE - YEAR & WEEK (YY WW)
- 4 INDEXING POINT FOR POLARIZATION
- 5 SHELL CAVITY FOR GPRB SERIES INSERTS WITH KEYING CODE A.
- 6 SHELL CAVITY FOR GPRB SERIES INSERTS WITH KEYING CODE B.
- 7 PROTECTIVE COVERS NOT SHOWN FOR CLARITY.
- 8 SCREW HEAD DIAMETER: 6.00 [.236] MAX.
- 9 THE JACKNUT AND RETAINING NUT ARE SHIPPED UNASSEMBLED. THE CUSTOMER SHALL APPLY LOCTITE® PRODUCT 272 THREADLOCKING ADHESIVE WHEN INSTALLING THESE ON THE SHELL ASSEMBLY. LOCTITE® IS A REGISTERED TRADEMARK OF LOCTITE CORPORATION.
- 10 A SPANNER WRENCH TOOL, TYCO ELECTRONICS P/N 1738220-1 (WITH 1/4-in ADAPTER) OR 1738221-1 (WITH T-HANDLE), IS USED TO LOCK THE RETAINING NUT. RECOMMENDED LOCKING TORQUE: 1.5 N-m [13 in-lb].
- 11. PITCH FOR SIDE-BY-SIDE MOUNTING: 19.50 [.768] MIN.
- 12. DESCRIPTIVE PART NUMBER: GPRB2HD22N  
SERIES: GPRB  
SHELL SIZE: 2 (TWO-CAVITY SHELL)  
SHELL STYLE: H (RECEPTACLE WITH GROUNDING SPRINGS)  
MODIFICATION CODE: D (2x ø3.10mm THRU HOLES FOR PANEL MOUNTING)  
LOCKING & POLARIZING DEVICE: 2 (JACKNUT)  
POLARIZATION CODE: 2 (A-F JACKNUT HARDWARE SHIPPED UNASSEMBLED)  
SHELL PLATING: N (NICKEL PLATING)
- 13. THIS PRODUCT IS SOLD BY TYCO ELECTRONICS UNDER A LICENSE FROM RADIALL SA.

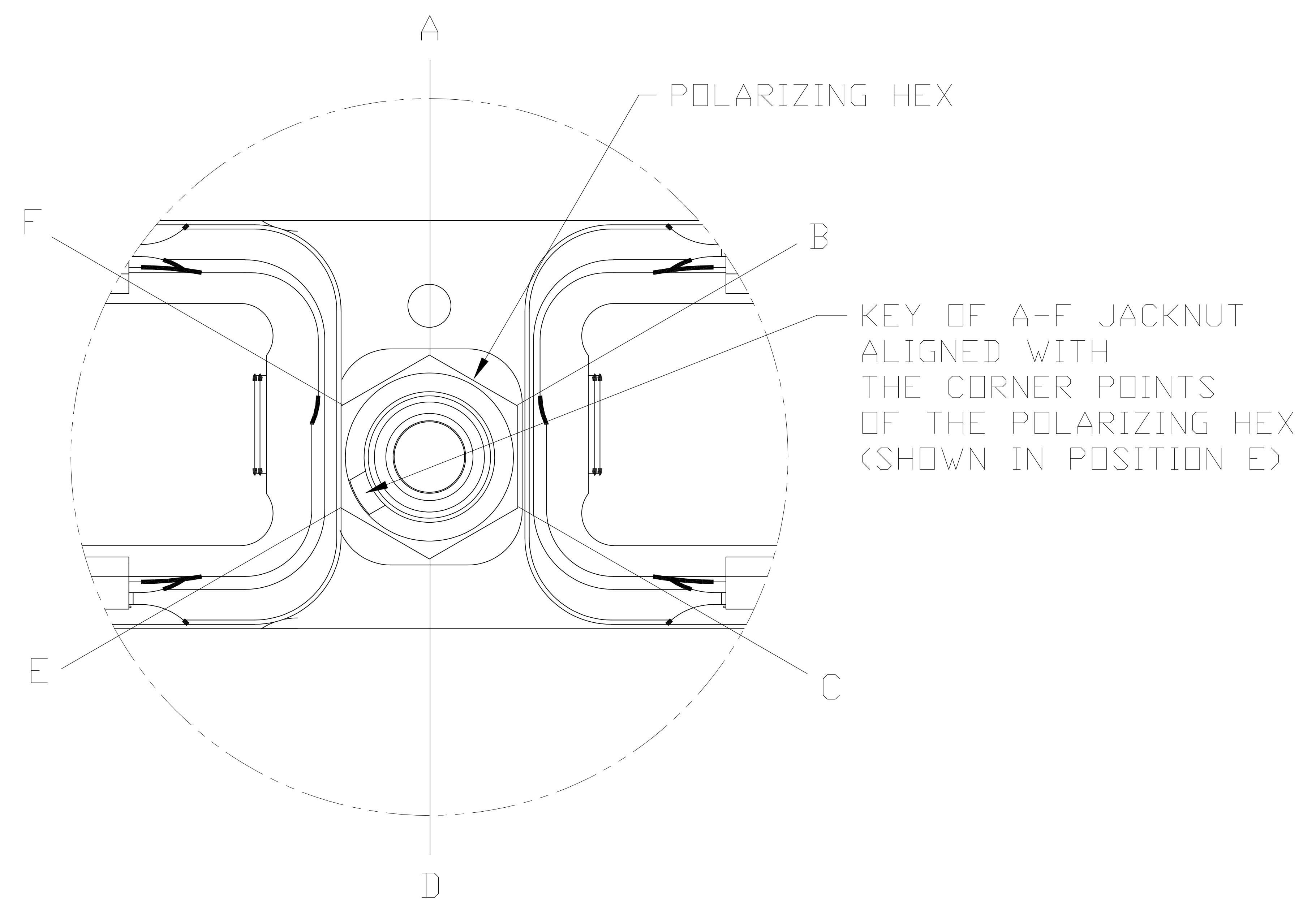
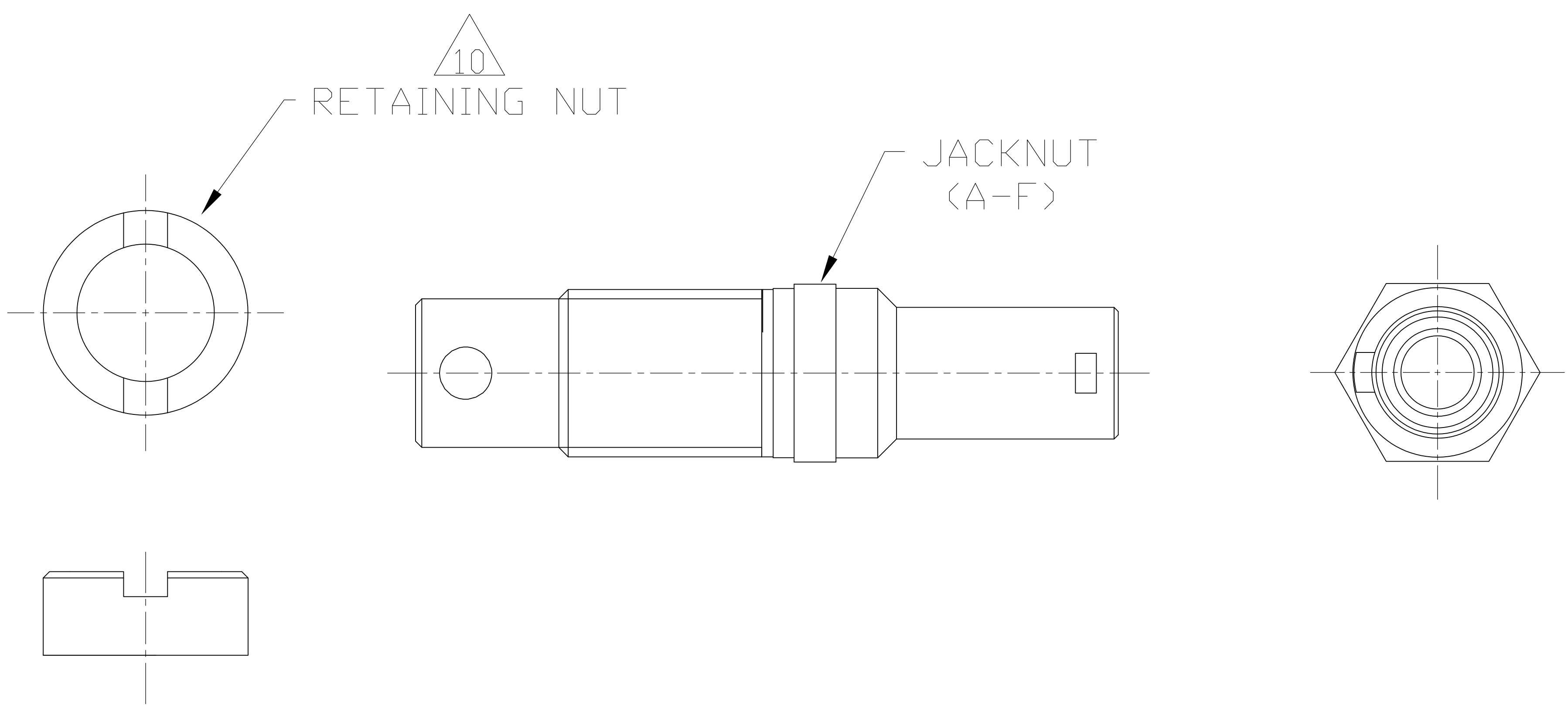


RECOMMENDED PANEL CUTOUT

THIS PRINT IS  
**PRELIMINARY**  
UNQUALIFIED PRODUCT  
CONTACT PRODUCT ENGINEERING  
BEFORE USING THIS PRINT

1738275-1  
PART NUMBER

|  |                            |                  |             |   |                     |
|--|----------------------------|------------------|-------------|---|---------------------|
| THIS DRAWING IS A CONTROLLED DOCUMENT. |                            | DATE: OCT14      | REV: 1      | Tyco Electronics Corporation<br>Harrisburg, Pa 17105-3608 |                     |
| DESIGNER: J. MOSIER                    | DATE: OCT14                | DATE: OCT14      | DATE: OCT14 | DATE: OCT14   | DATE: OCT14         |
| PRODUCT SPEC: -                        | APPLICATION SPEC: -        | WEIGHT: -        | SCALE: 1:1  | SHEET: 1 OF 2   | REV: 3              |
| MATERIAL: ALUMINUM                     | FINISH: ELECTROLESS NICKEL | CUSTOMER DRAWING | SIZE: A0    | DATE CODE: 00779  | DRAWING NO: 1738275 |



DETAIL A - JACKNUT KIT ASSEMBLED

THIS PRINT IS  
**PRELIMINARY**  
 UNQUALIFIED PRODUCT  
 CONTACT PRODUCT ENGINEERING  
 BEFORE USING THIS PRINT

1738275-1  
 PART NUMBER

|   |  |                     |               |                          |               |               |
|---|--|---------------------|---------------|--------------------------|---------------|---------------|
| THIS DRAWING IS A CONTROLLED DOCUMENT.      |  | REV: DF             | DATE: 00      | DESCRIPTION: SEE SHEET 1 | BY: DF        | APP'D: DF     |
| DIMENSIONS: mm (INCHES)                     |  | 0. PLG ± .005       | 1. PLG ± .005 | 2. PLG ± 0.2 (0.008)     | 3. PLG ± .005 | 4. PLG ± .005 |
| MATERIAL:                                   |  | FINISH:             |               | CUSTOMER DRAWING         |               |               |
| TYPICAL VALUES: UNLESS OTHERWISE SPECIFIED: |  | DESIGNER: J. MOSIER |               | DATE: OCT04              |               |               |
| PRODUCT SPEC:                               |  | APPLICATION SPEC:   |               | WEIGHT: --               |               |               |
| SIZE: A0                                    |  | SCALE: 1:1          |               | SHEET: 2 OF 2            |               |               |
| DRAWING NO: 1738275                         |  | REV: 3              |               | RESTRICTED TO: --        |               |               |