

REVISONS		DATE	BY	APP'D
0	CONVERTED RADIAL DWG TO TYCO ACAD DWG	03/04	RF	JM
1	REVISED	26FEB10	RF	JM
2	REVISED	08APR10	RF	JM

- 1 SHELL: ALUMINUM ALLOY
LOCKING POST: STAINLESS STEEL PER ASTM B883
SPRING: STAINLESS STEEL PER AISI 301
SPRING SUPPORT & LOCKING POST SUPPORT: STAINLESS STEEL PER AISI 303
INSERT RETENTION CLIP: COPPER ALLOY PER ASTM B194
PROTECTIVE COVER: THERMOPLASTIC ELASTOMER

- 2 SHELL: ELECTROLESS NICKEL PER SAE AMS-C-26074, CLASS 1.

- 3 DATE CODE - YEAR & WEEK (YY WW)

- 4. POLARIZATION KEYS, TYCO ELECTRONICS PART NUMBER 1738428-1 (MALE) OR 1738429-1 (FEMALE), AND THE RETENTION PLATE, TYCO ELECTRONICS PART NUMBER 1738440-1, MAY BE PURCHASED SEPARATELY.

- 5 6-32 SCREWS ARE REQUIRED FOR PANEL MOUNTING (NOT INCLUDED) - RECOMMENDED LOCKING TORQUE: 1.6 N.m [14 in-lb]

- 6 THREADED HOLES ARE SELF-LOCKING, HAVING THE SPIRALOCK® THREAD FORM. SPIRALOCK® IS A REGISTERED TRADEMARK OF SPIRALOCK CORPORATION.

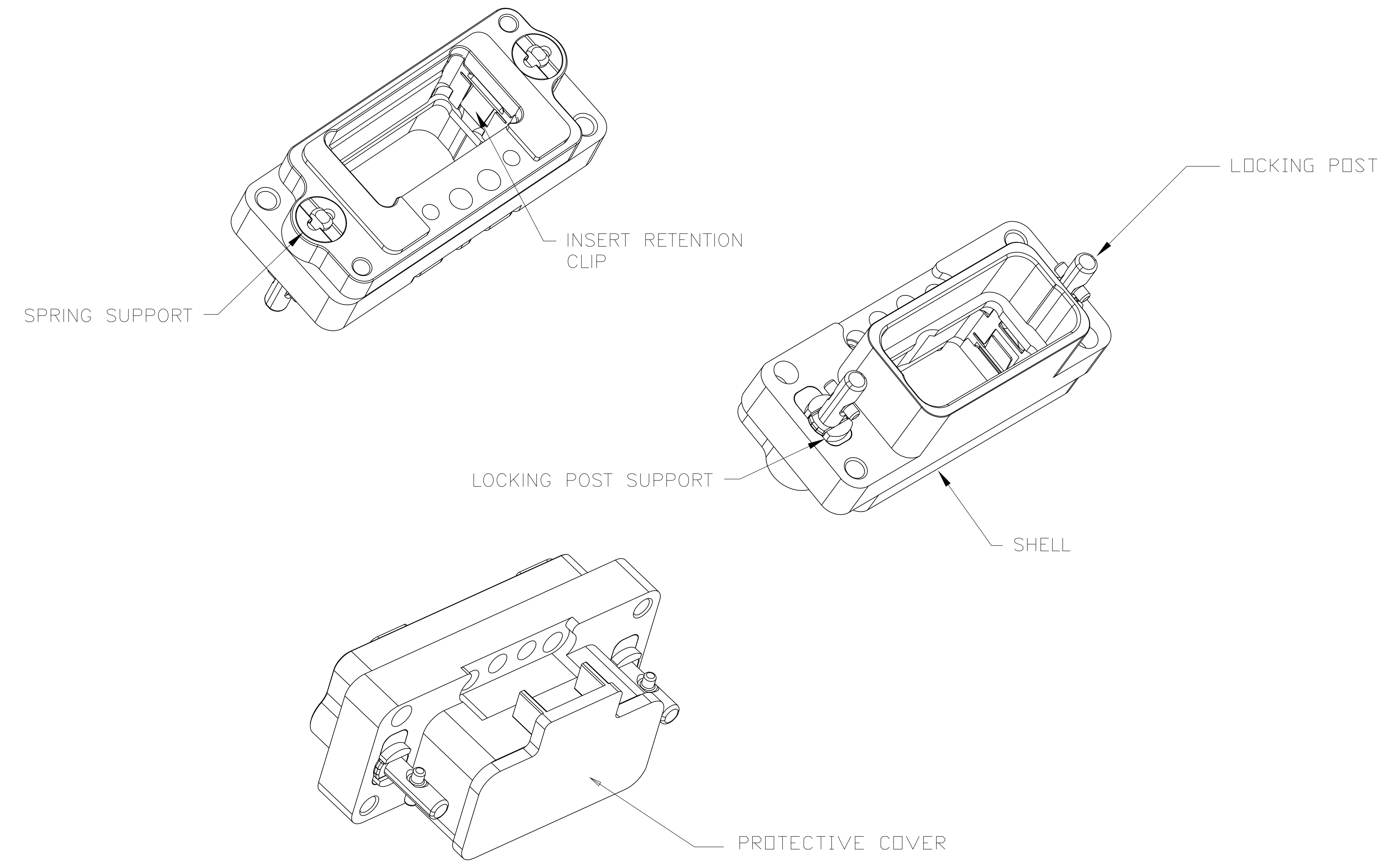
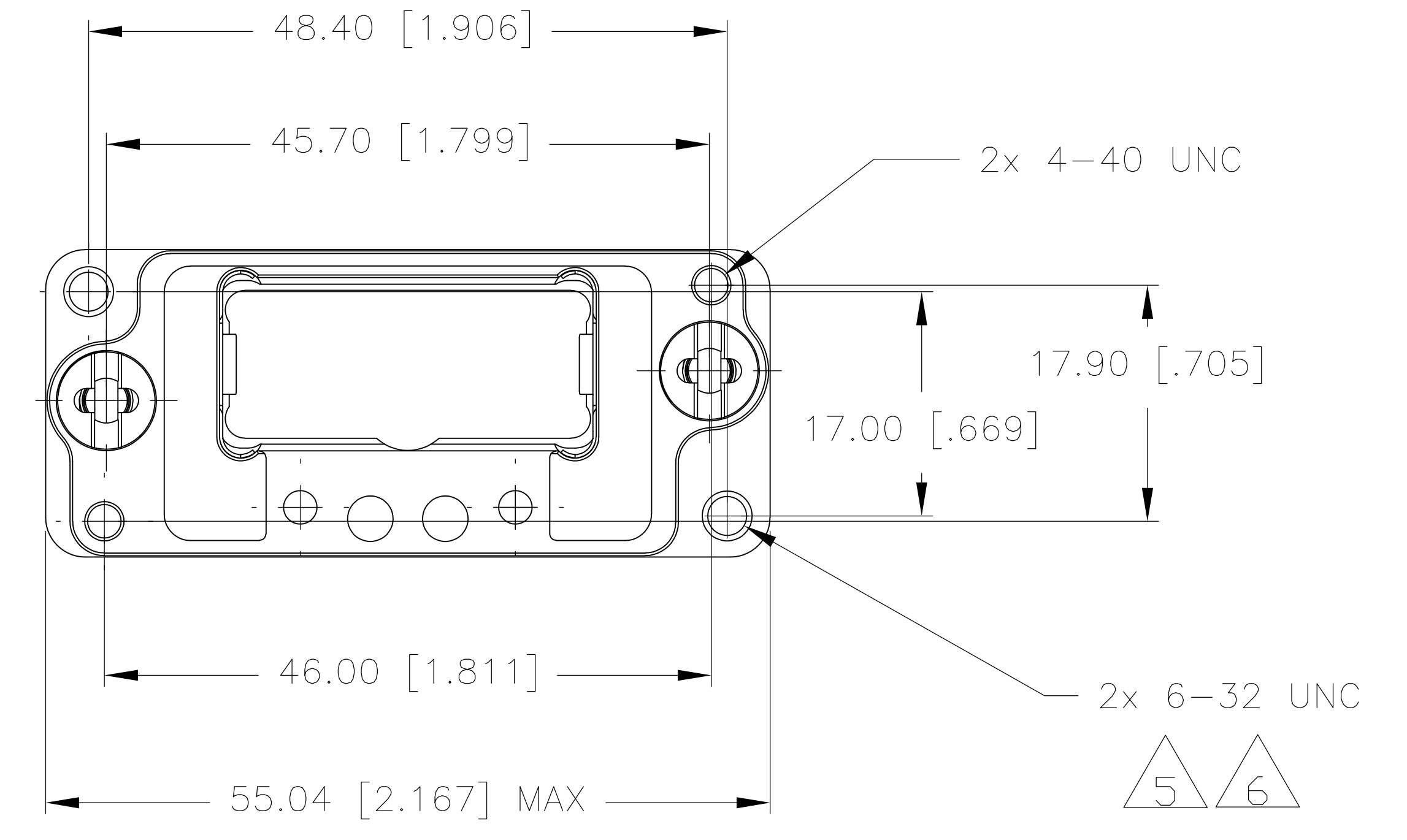
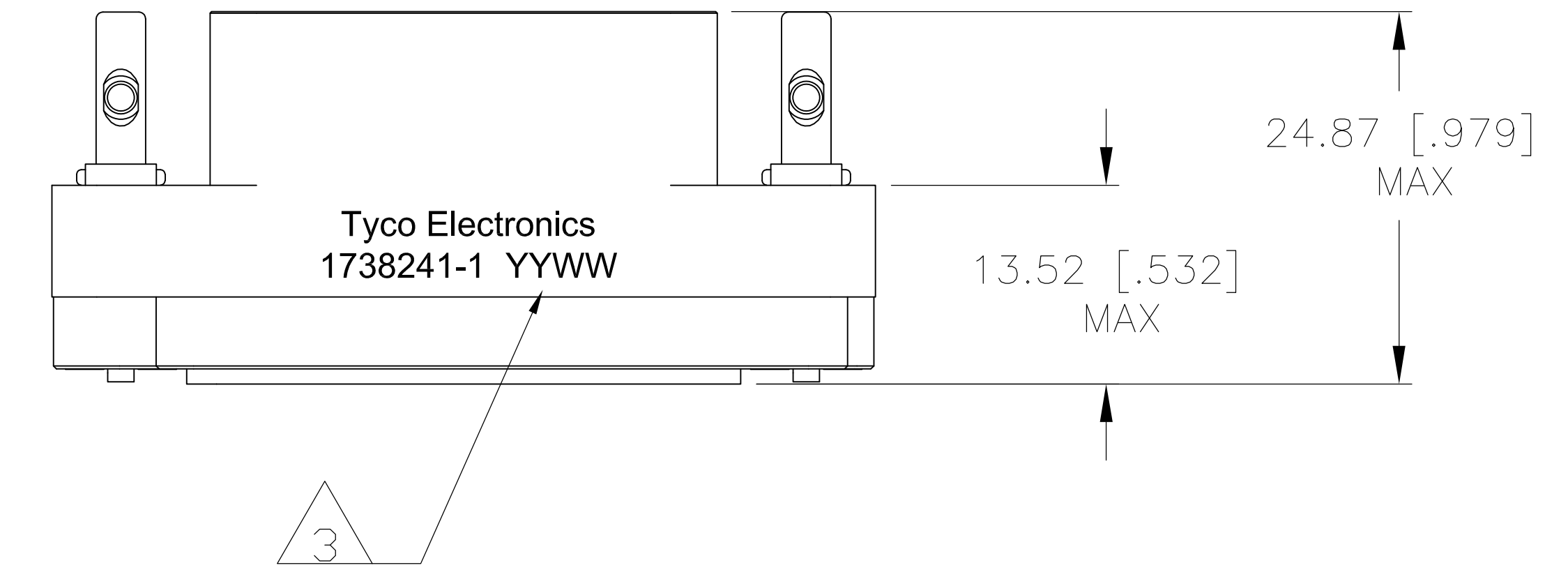
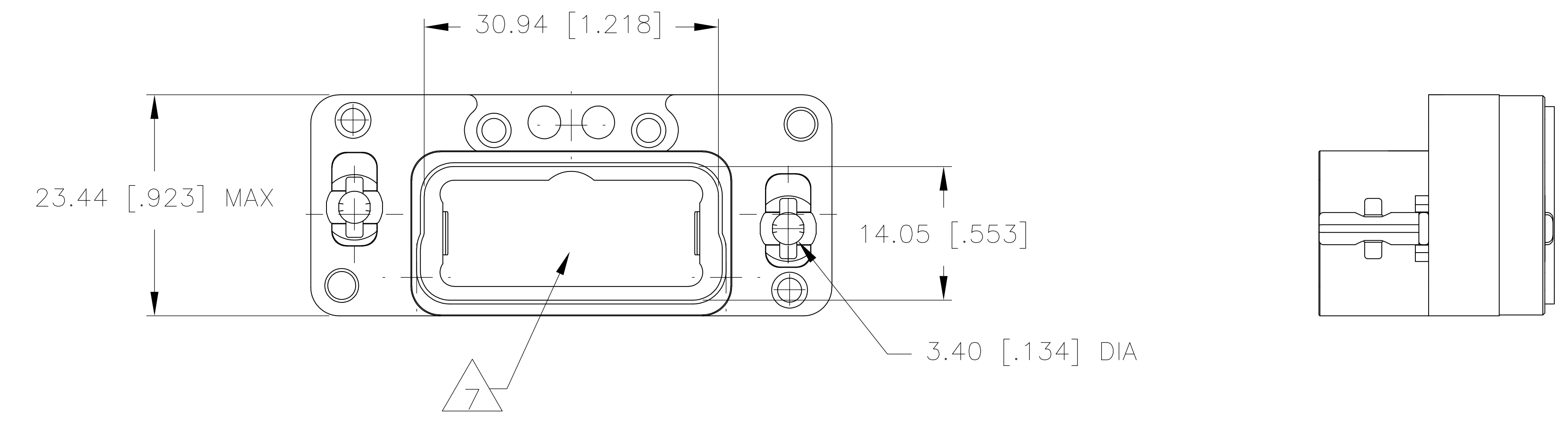
- 7 SHELL CAVITY FOR GPRB SERIES INSERTS WITH KEYING CODE A.

- 8. DESCRIPTIVE PART NUMBER: GPRB1RM05N
SERIES: GPRB
SHELL SIZE: 1 (SINGLE-CAVITY SHELL)
SHELL STYLE: R (RECEPTACLE)
MODIFICATION CODE: M (TWO 6-32 UNC MOUNTING HOLES)
LOCKING DEVICE: 0 (QUARTER-TURN FASTENER)
POLARIZATION CODE: 5 (POLARIZING HARDWARE PURCHASED SEPARATELY)
SHELL PLATING: N (NICKEL PLATING)

- 9 DATUMS ESTABLISHED BY CUSTOMER.

- 10 BASIC DIMENSIONS ESTABLISHED BY CUSTOMER.

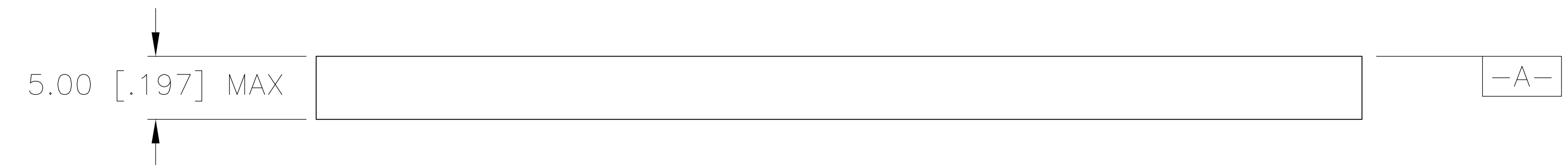
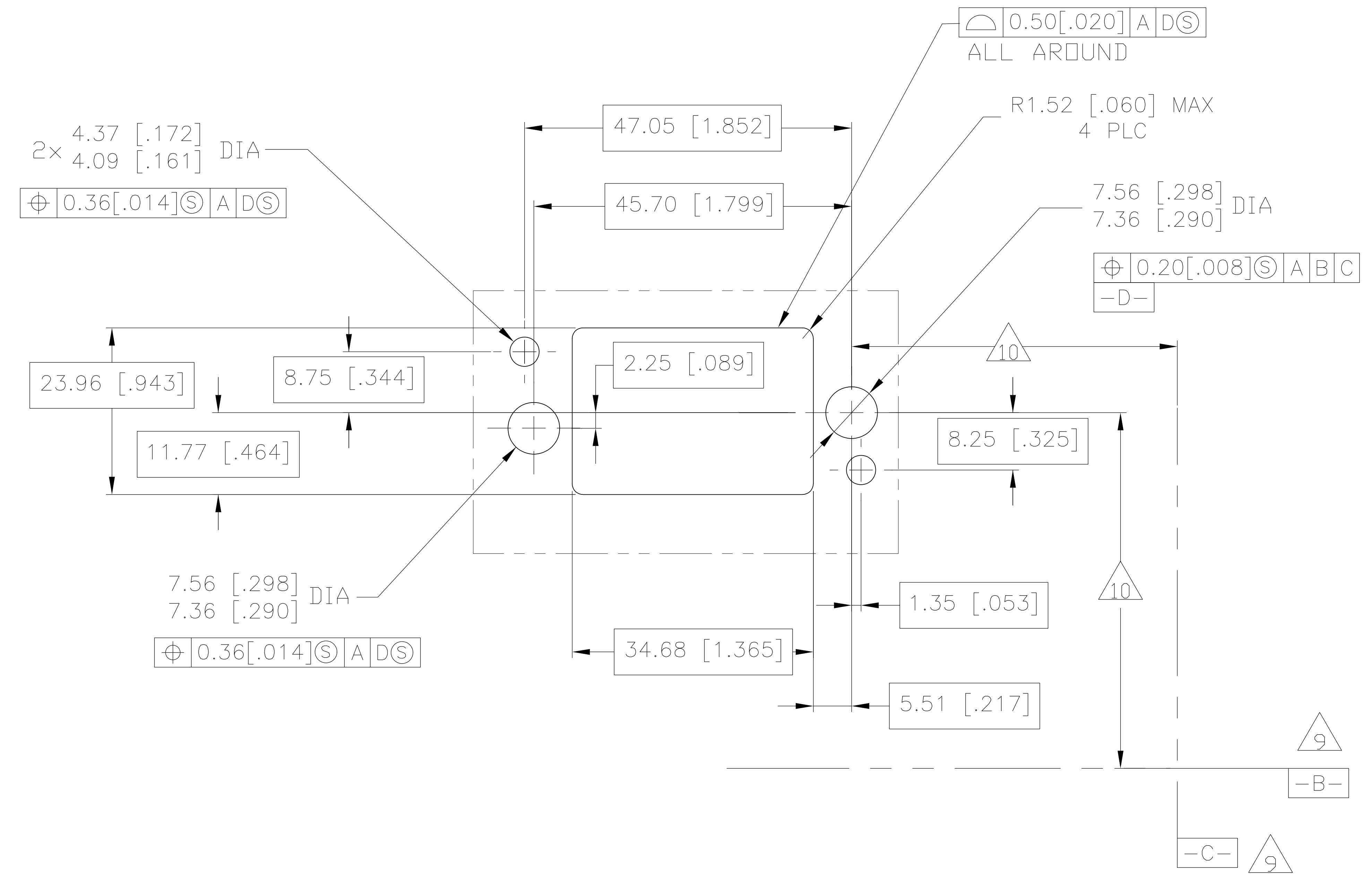
11. THIS PRODUCT IS SOLD BY TYCO ELECTRONICS UNDER A LICENSE FROM RADIAL SA.



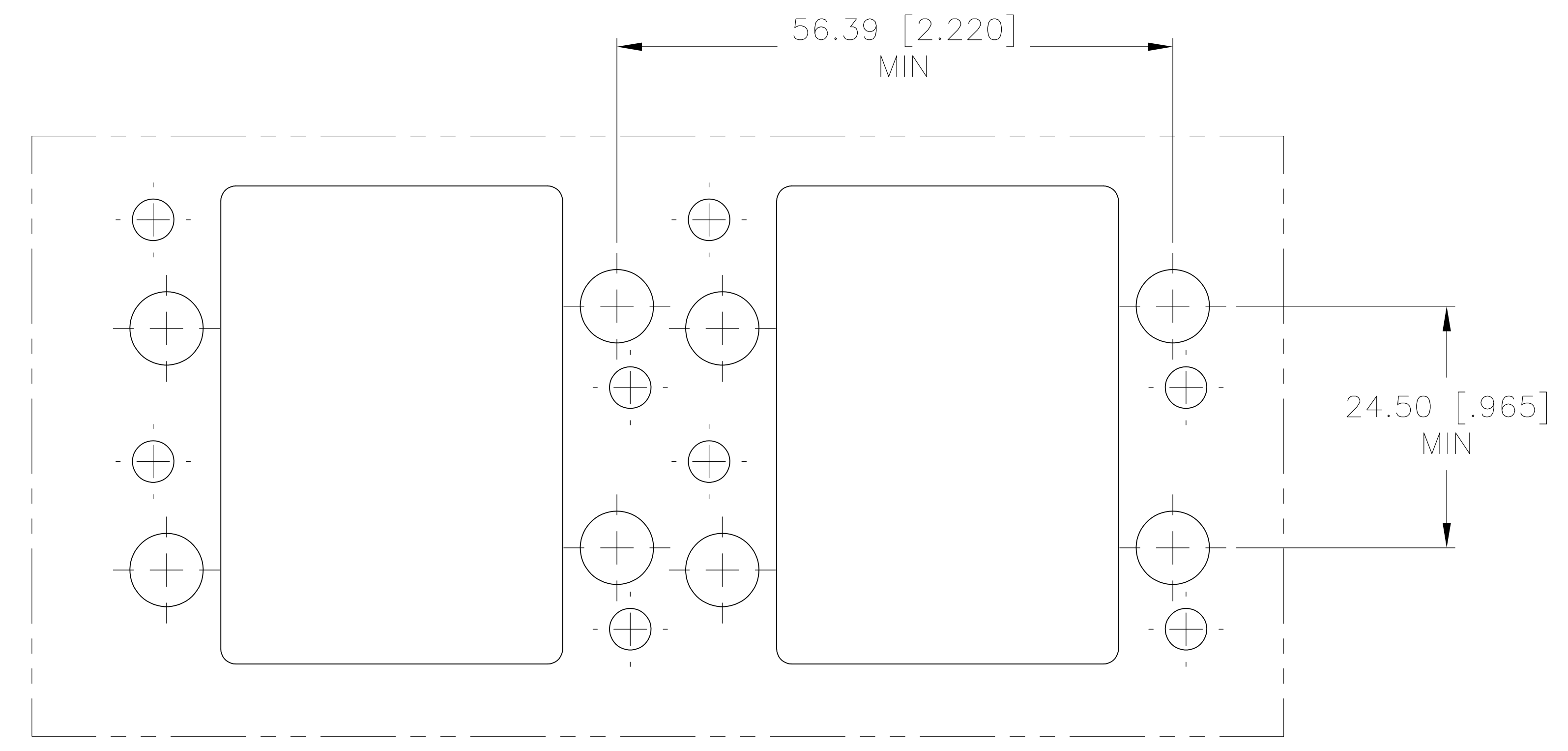
THIS PRINT IS
PRELIMINARY
UNQUALIFIED PRODUCT
CONTACT PRODUCT ENGINEERING
BEFORE USING THIS PRINT

1738241-1
PART NUMBER

THIS DRAWING IS A CONTROLLED DOCUMENT.		DATE	BY	DATE	BY	Tyco Electronics Corporation Harrisburg, Pa 17105-3608	
DIMENSIONS: mm (INCHES)		DESIGNED	APPROVED	DATE	BY	RECEPTACLE SHELL ASSEMBLY GPRB1	
TOLERANCES UNLESS OTHERWISE SPECIFIED:		DATE	BY	DATE	BY	SIZE DATE CODE DRAWING NO. RESTRICTED TO	
Ø	FRACTIONAL DECIMALS	DATE	BY	DATE	BY	A0 00779 1738241	
Ø	DECIMALS	DATE	BY	DATE	BY	SCALE 1:1 SHEET 1 OF 2 REV 2	
Ø	THREE DECIMALS	DATE	BY	DATE	BY	CUSTOMER DRAWING	



RECOMMENDED PANEL CUTOUT - COMPONENT SIDE



MULTIPLE PANEL CUTOUT

THIS PRINT IS
PRELIMINARY
UNQUALIFIED PRODUCT
CONTACT PRODUCT ENGINEERING
BEFORE USING THIS PRINT

1738241-1
PART NUMBER

THIS DRAWING IS A CONTROLLED DOCUMENT.		REV	DATE	DESCRIPTION	BY	APP'D
DIMENSIONS: mm (INCHES)		0. PLG	+	-		
TOLERANCES UNLESS OTHERWISE SPECIFIED:		1. PLG	+	-		
		2. PLG	+	0.13 [.005]		
		3. PLG	+	-		
		4. PLG	+	-		
		ANGLES				
MATERIAL		FINISH	CUSTOMER DRAWING			
SCALE		1:1				
SHEET		2				
REV		2				
DRAWING NO		A000779		1738241		
RESTRICTED TO						