

REV	DATE	DESCRIPTION	BY	CHKD
0	03/04	CONVERTED RADIAL DWG TO TYCO ACAD DWG	RF	JM
1	25FEB10	REVISED	RF	JM
2	08APR10	REVISED	RF	JM

- 1 SHELL & KEY RETENTION PLATE: ALUMINUM ALLOY
LOCKING POST: STAINLESS STEEL PER ASTM B883
SPRING: STAINLESS STEEL PER AISI 301
SPRING SUPPORT, LOCKING POST SUPPORT & CAPTIVE SCREW: STAINLESS STEEL PER AISI 303
SCREW RETENTION CLIPS: STAINLESS STEEL PER AISI 304
INSERT RETENTION CLIP: COPPER ALLOY PER ASTM B194
PROTECTIVE COVER: THERMOPLASTIC ELASTOMER
POLARIZATION KEY: PEI THERMOPLASTIC PER ASTM D5205

- 2 SHELL: ELECTROLESS NICKEL PER SAE AMS-C-26074, CLASS 1.
KEY RETENTION PLATE: ANODIZED, CLEAR

- 3 DATE CODE - YEAR & WEEK (YY WW)

- 4 4-40 CAPTIVE SCREWS ON KEY RETENTION PLATE
RECOMMENDED LOCKING TORQUE: 0.8 N.m [7in-lb]

- 5 6-32 SCREWS ARE REQUIRED FOR PANEL MOUNTING (NOT INCLUDED) - RECOMMENDED
LOCKING TORQUE: 1.6 N.m [14 in-lb]

- 6 THREADED HOLES ARE SELF-LOCKING, HAVING THE SPIRALOCK® THREAD FORM.
SPIRALOCK® IS A REGISTERED TRADEMARK OF SPIRALOCK CORPORATION.

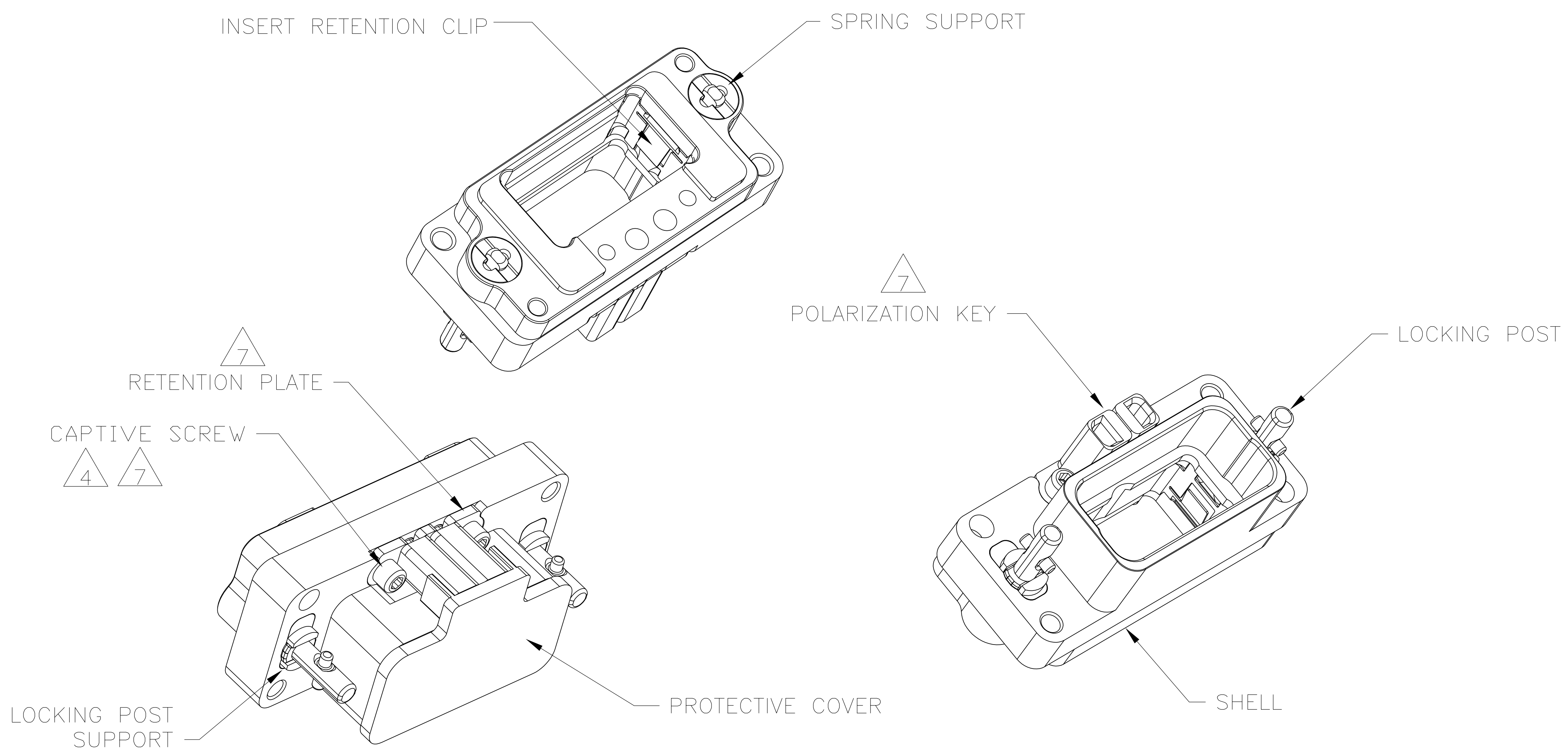
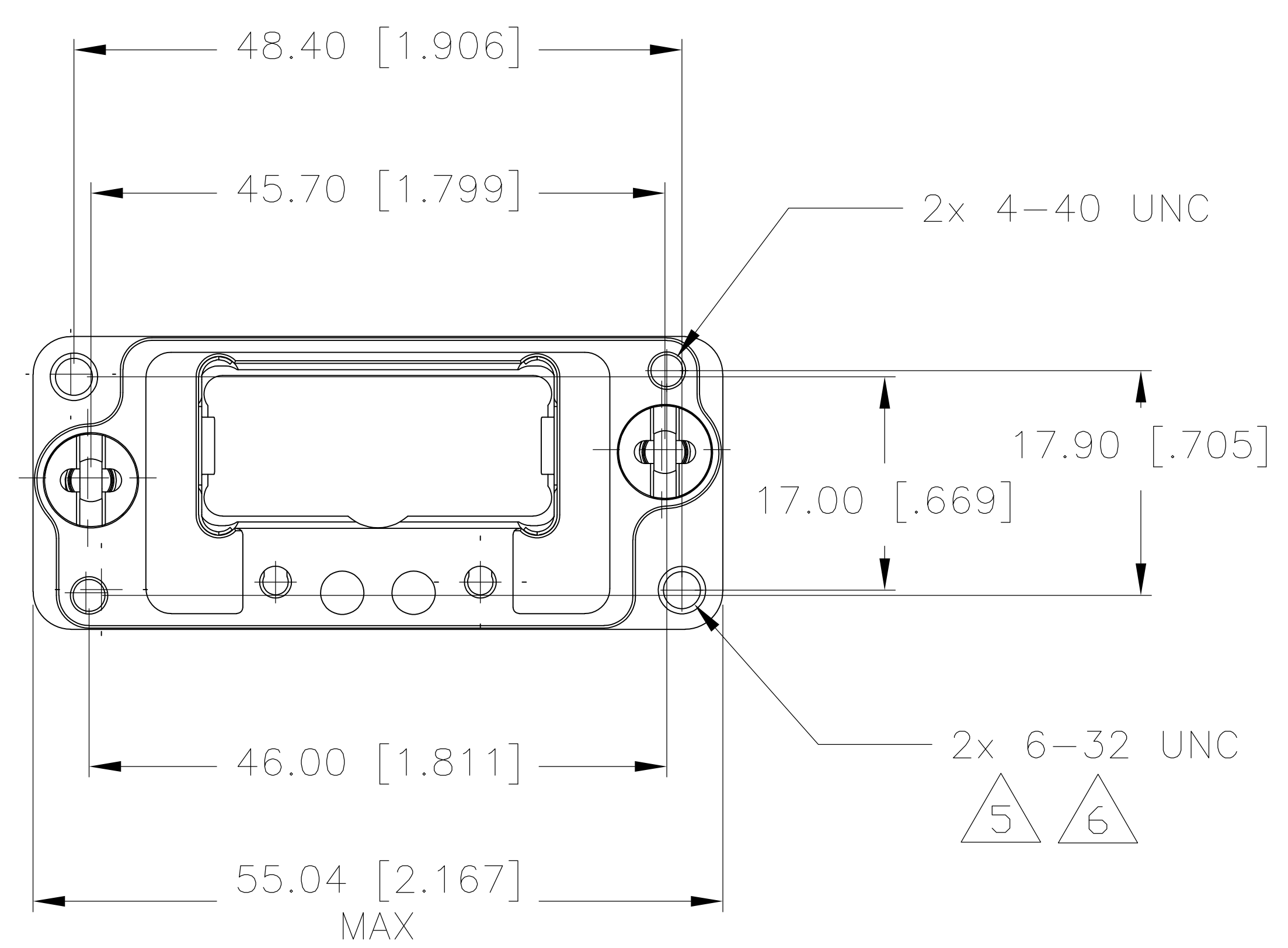
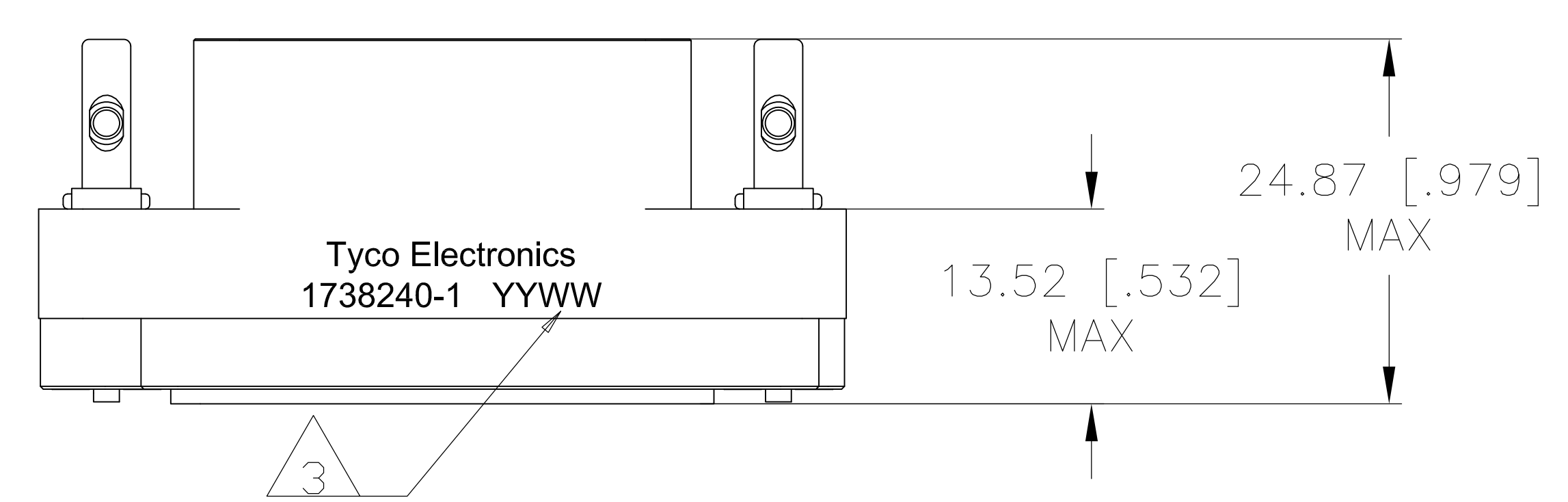
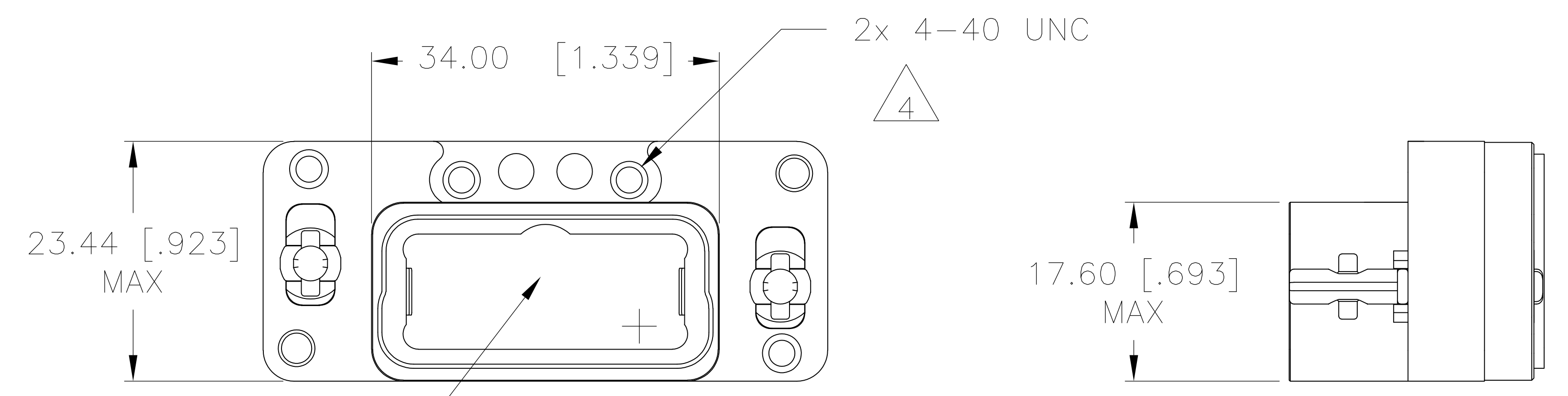
- 7 THE POLARIZATION KEYS & RETENTION PLATE ARE SHIPPED UNASSEMBLED.

- 8 SHELL CAVITY FOR GPRB SERIES INSERTS WITH KEYING CODE A.

- 9 DATUMS ESTABLISHED BY CUSTOMER.

- 10 BASIC DIMENSIONS ESTABLISHED BY CUSTOMER.

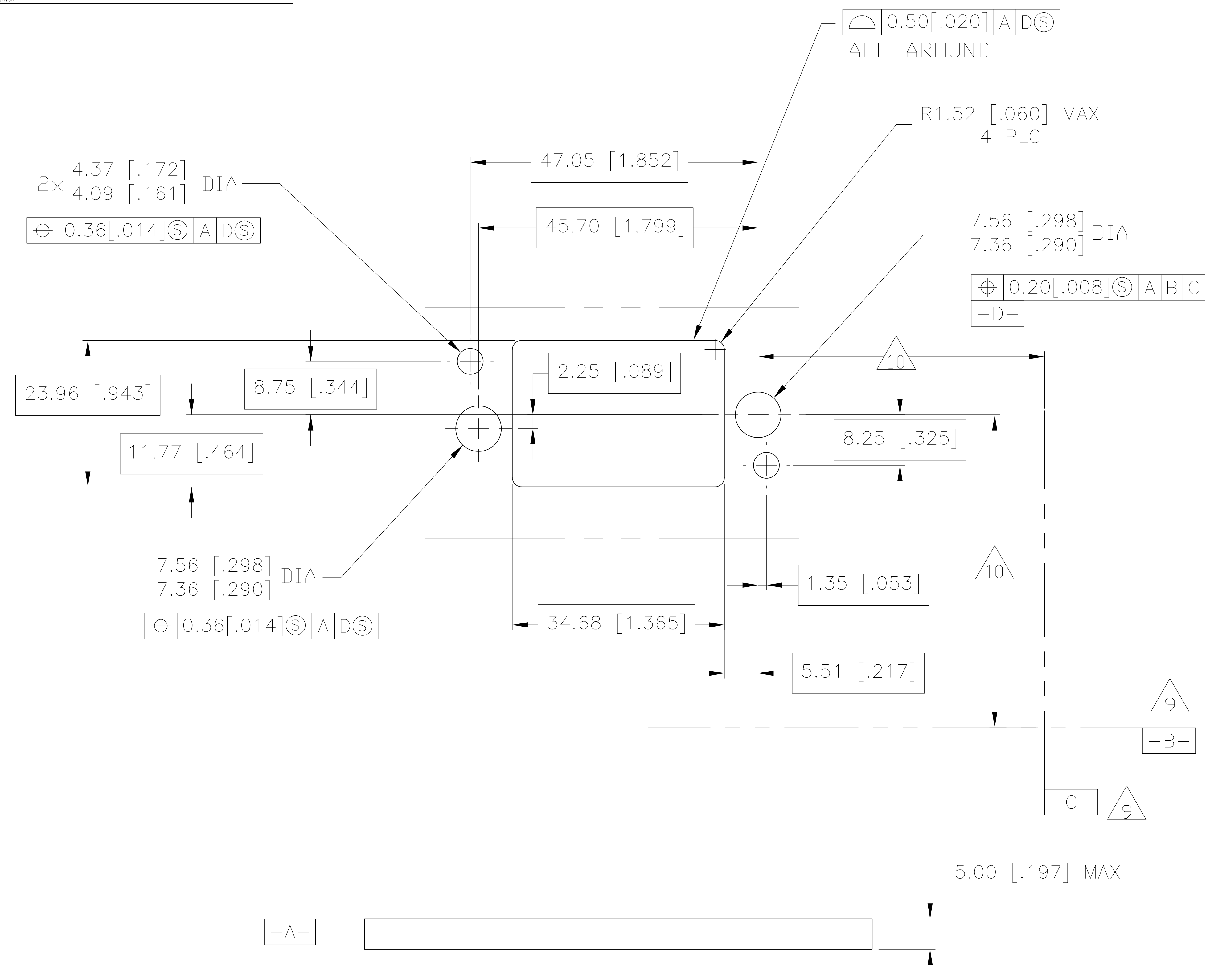
- 11. DESCRIPTIVE PART NUMBER: GPRB1RM04N
SERIES: GPRB
SHELL SIZE: 1 (SINGLE-CAVITY SHELL)
SHELL STYLE: R (RECEPTACLE)
MODIFICATION CODE: M (TWO 6-32 UNC MOUNTING HOLES)
LOCKING DEVICE: 0 (QUARTER-TURN FASTENER)
POLARIZATION CODE: 4 (KIT, WITH POLARIZING HARDWARE UNASSEMBLED)
SHELL PLATING: N (NICKEL PLATING)
- 12. THIS PRODUCT IS SOLD BY TYCO ELECTRONICS UNDER A LICENSE FROM RADIAL SA.



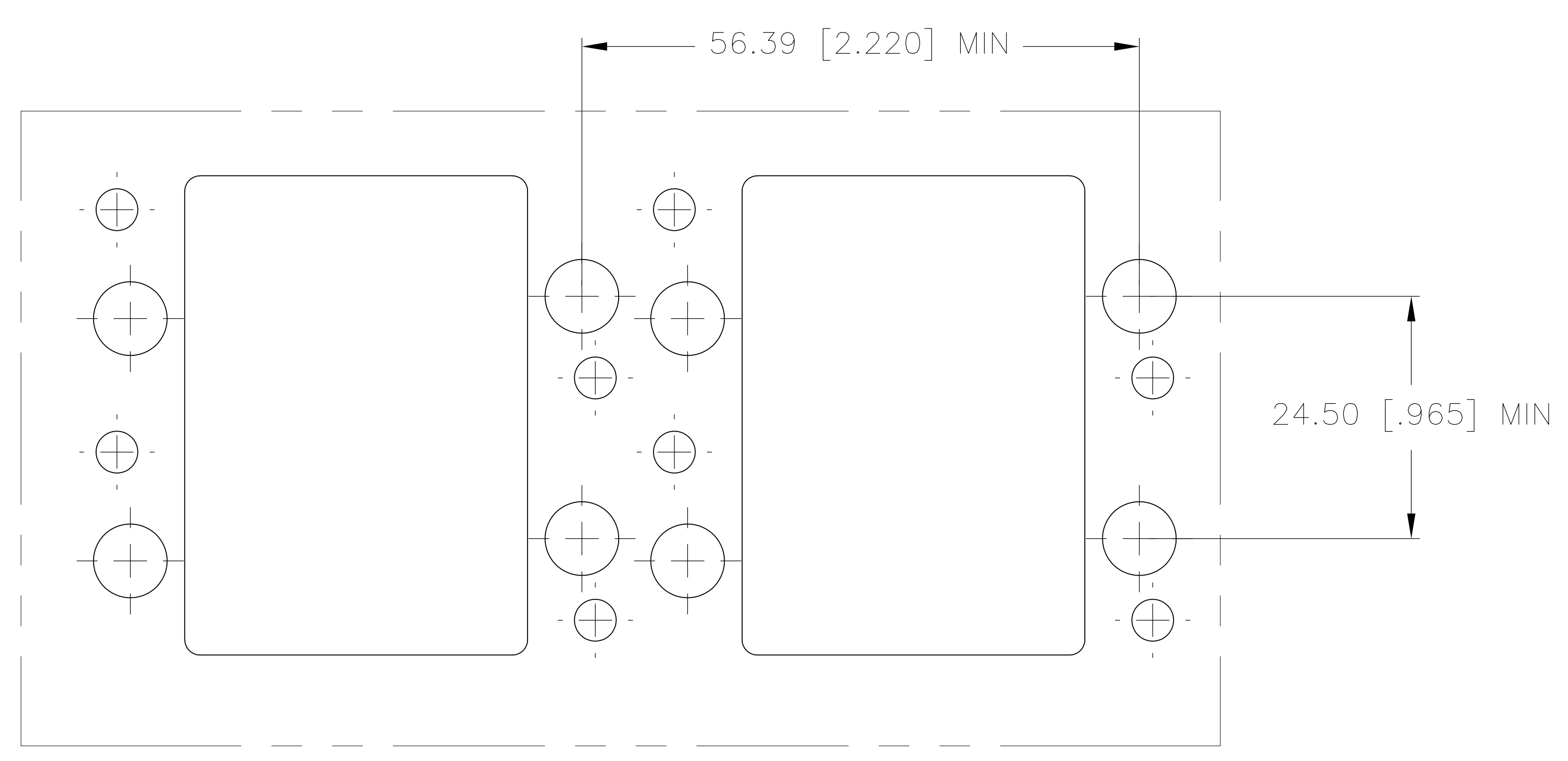
THIS PRINT IS
PRELIMINARY
UNQUALIFIED PRODUCT
CONTACT PRODUCT ENGINEERING
BEFORE USING THIS PRINT

1738240-1
PART NUMBER

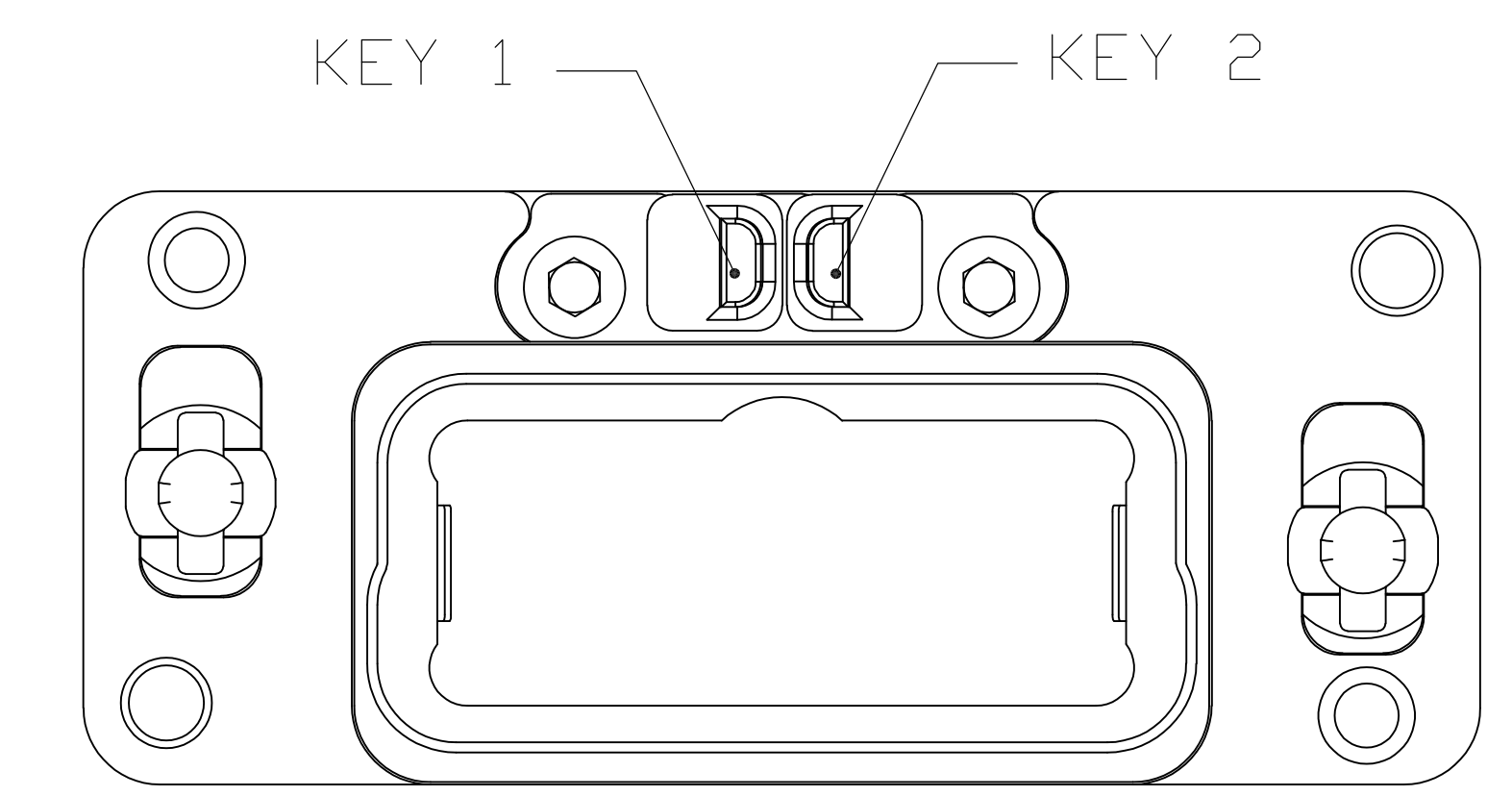
THIS DRAWING IS A CONTROLLED DOCUMENT.		DATE: 03/04	SCALE: 1:1	SHEET 1 OF 2	
DESIGNER: J. MOSIER	DATE: 03/04	SCALE: 1:1	SHEET 1 OF 2		
APP'D: J. MOSIER	DATE: 03/04	SCALE: 1:1	SHEET 1 OF 2		
PRODUCT SPEC: 1738240-1	DATE: 03/04	SCALE: 1:1	SHEET 1 OF 2		
APPLICATION SPEC: 1738240-1	DATE: 03/04	SCALE: 1:1	SHEET 1 OF 2		
MATERIAL: ALUMINUM	FINISH: ELECTROLESS NICKEL	DATE: 03/04	SCALE: 1:1	SHEET 1 OF 2	
CUSTOMER DRAWING		DATE: 03/04	SCALE: 1:1	SHEET 1 OF 2	



RECOMMENDED PANEL CUTOUT - COMPONENT SIDE

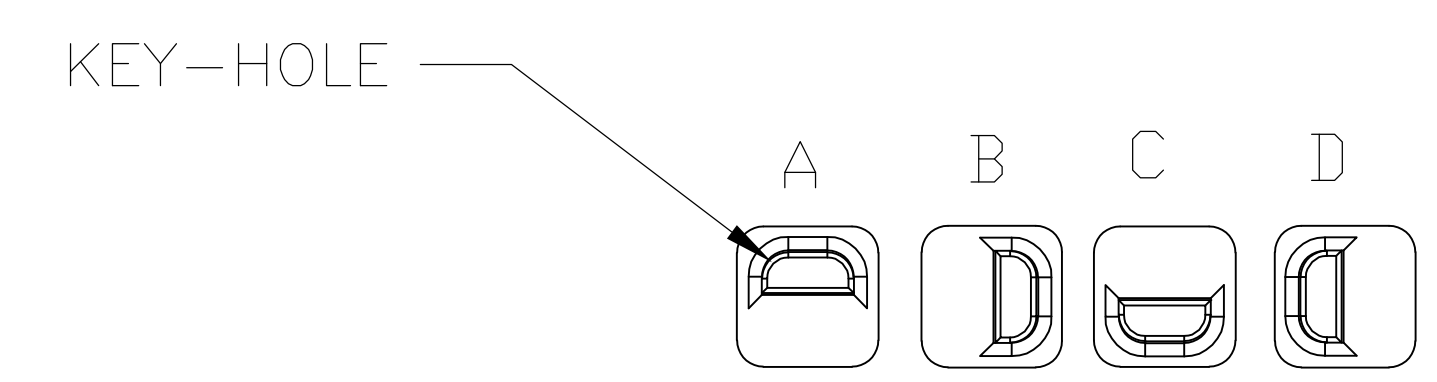


MULTIPLE PANEL CUTOUT



CODE NUMBER 08 SHOWN: B-D
POLARIZATION KEY 1 POLARIZATION KEY 2

RECEPTACLE CONNECTOR POLARIZATION



CODE NUMBER	KEY 1	KEY 2
01	A	A
02	D	A
03	C	A
04	B	A
05	A	D
06	D	D
07	C	D
08	B	D
09	A	C
10	D	C
11	C	C
12	B	C
13	A	B
14	D	B
15	C	B
16	B	B

KEY-HOLE ORIENTATION

THIS PRINT IS
PRELIMINARY
UNQUALIFIED PRODUCT
CONTACT PRODUCT ENGINEERING
BEFORE USING THIS PRINT

THIS DRAWING IS A CONTROLLED DOCUMENT.		REV. FLAG	DATE	BY	APP'D
DIMENSIONS: mm (INCHES)		DESIGNER: MOSIER	DATE: 01/13/00	BY: MOSIER	APP'D: MOSIER
TOLERANCES UNLESS OTHERWISE SPECIFIED:		RECEPTACLE SHELL KIT, WITH POLARIZING HARDWARE, GPRB1			
Ø	0.01	PLC	0.13 [0.005]	SIZE: 1.1	
Ø	0.02	PLC	0.13 [0.005]	SCALE: 1:1	
Ø	0.05	PLC	0.13 [0.005]	SHEET: 2 OF 2	
Ø	0.10	PLC	0.13 [0.005]	REV: 2	
MATERIAL: 303 STAINLESS STEEL		WEIGHT: 0.0079g		CUSTOMER DRAWING	
FINISH: 100		SCALE: 1:1		SHEET: 2 OF 2	

1738240-1
PART NUMBER