

REVISIONS				
REV	DATE	DESCRIPTION	BY	APP'D
0	04/04	CONVERTED RADIAL DWG TO TYCO ACAD DWG	RF	JM
1	25FEB10	REVISED	RF	JM
2	07APR10	REVISED	RF	JM

- 1 SHELL & KEY RETENTION PLATE: ALUMINUM ALLOY
 LOCKING POST: STAINLESS STEEL PER ASTM B883
 SPRING: STAINLESS STEEL PER AISI 301
 SPRING SUPPORT, LOCKING POST SUPPORT & CAPTIVE SCREW: STAINLESS STEEL PER AISI 303
 SCREW RETENTION CLIPS: STAINLESS STEEL PER AISI 304
 INSERT RETENTION CLIP: COPPER ALLOY PER ASTM B194
 PROTECTIVE COVER: THERMOPLASTIC ELASTOMER
 POLARIZATION KEY: PEI THERMOPLASTIC PER ASTM D5205

- 2 SHELL: ELECTROLESS NICKEL PER SAE AMS-C-26074, CLASS 1.
 KEY RETENTION PLATE: ANODIZED, CLEAR

- 3 DATE CODE - YEAR & WEEK (YY WW)

- 4 4-40 CAPTIVE SCREWS ON KEY RETENTION PLATE
 RECOMMENDED LOCKING TORQUE: 0.8 N.m [7in-lb]

- 5 6-32 SCREWS ARE REQUIRED FOR PANEL MOUNTING (NOT INCLUDED) - RECOMMENDED
 LOCKING TORQUE: 1.6 N.m [14 in-lb]

- 6 THREADED HOLES ARE SELF-LOCKING, HAVING THE SPIRALOCK® THREAD FORM.
 SPIRALOCK® IS A REGISTERED TRADEMARK OF SPIRALOCK CORPORATION.

- 7 THE POLARIZATION KEYS & RETENTION PLATE ARE SHIPPED UNASSEMBLED.

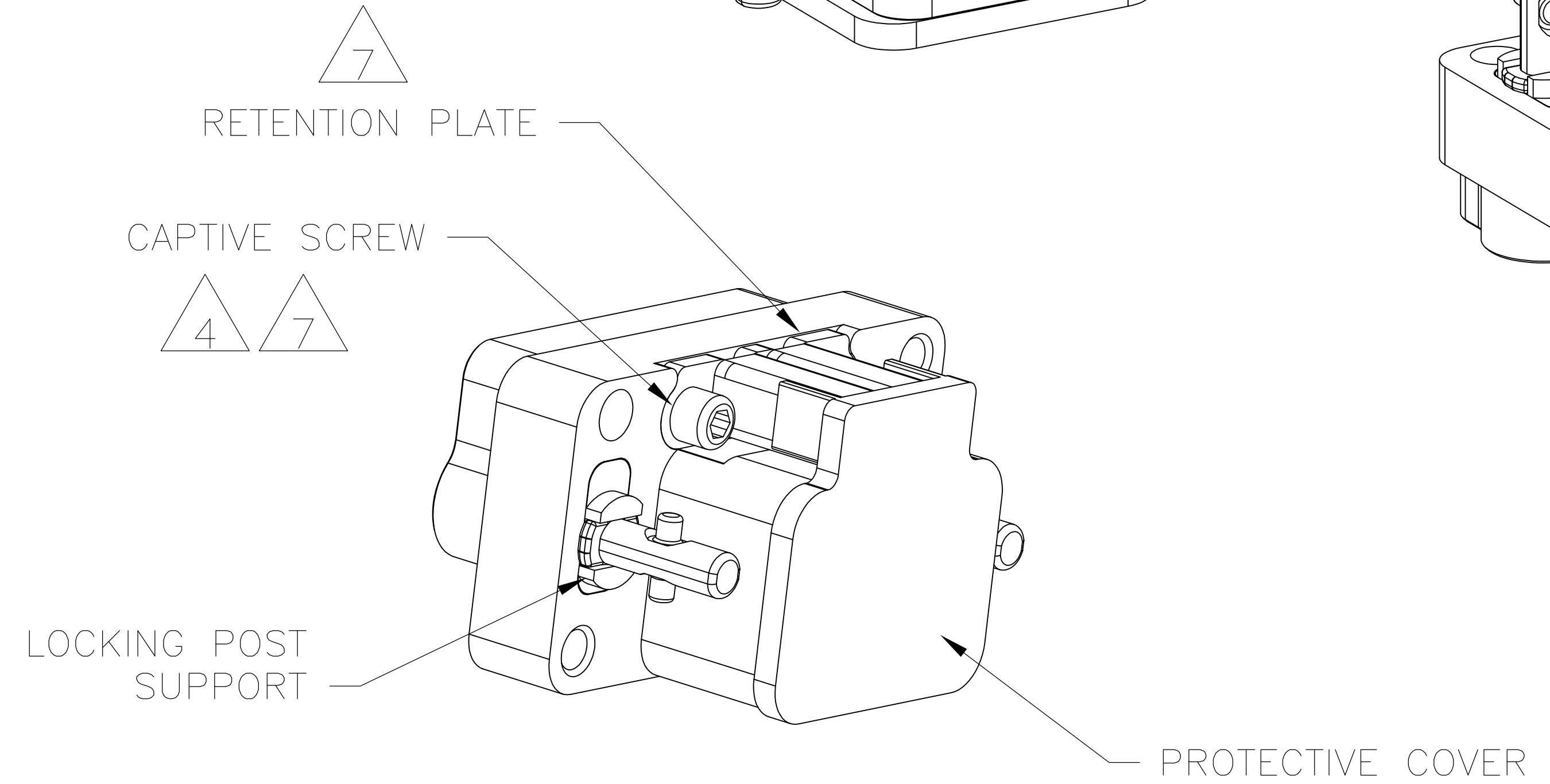
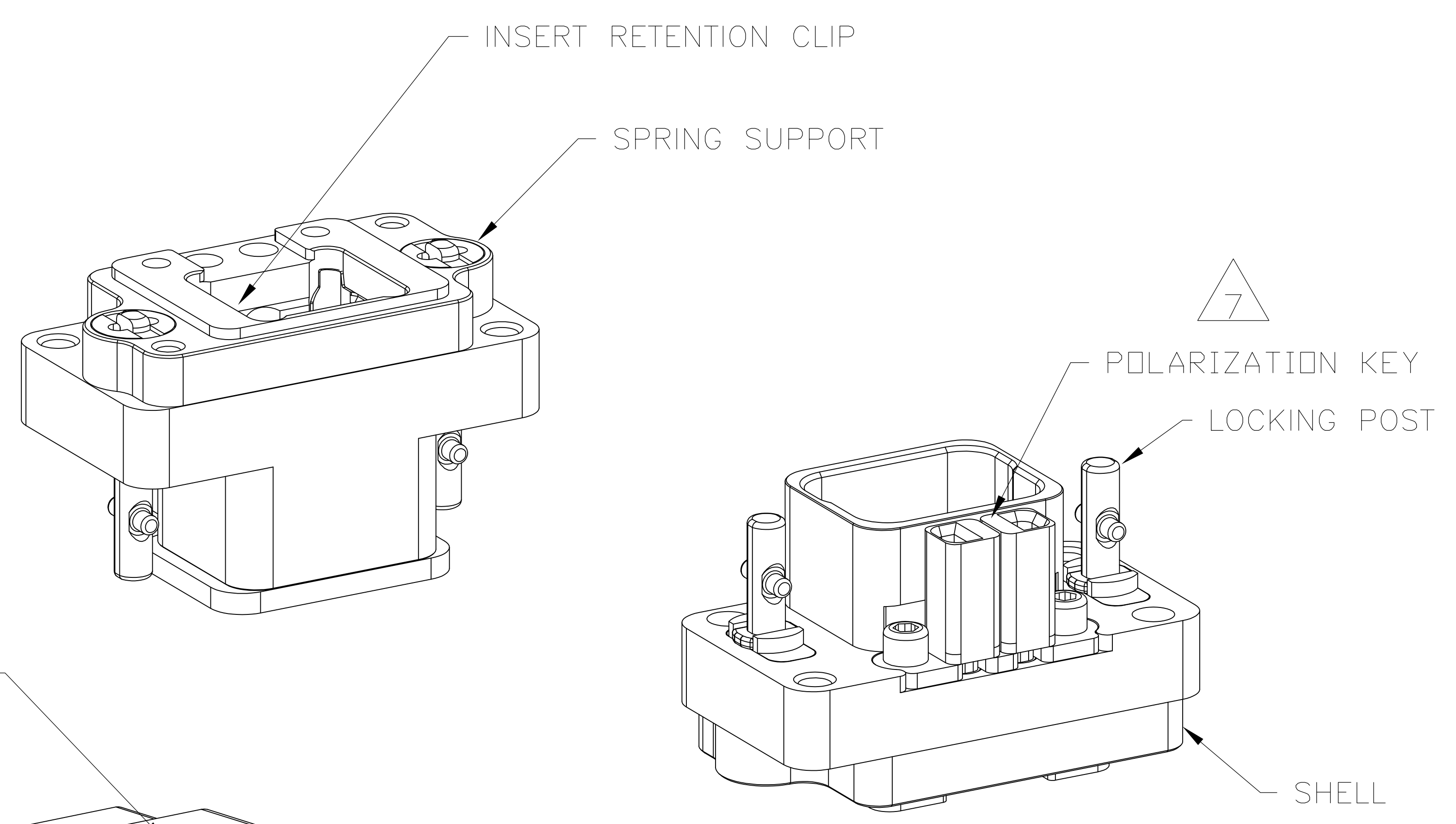
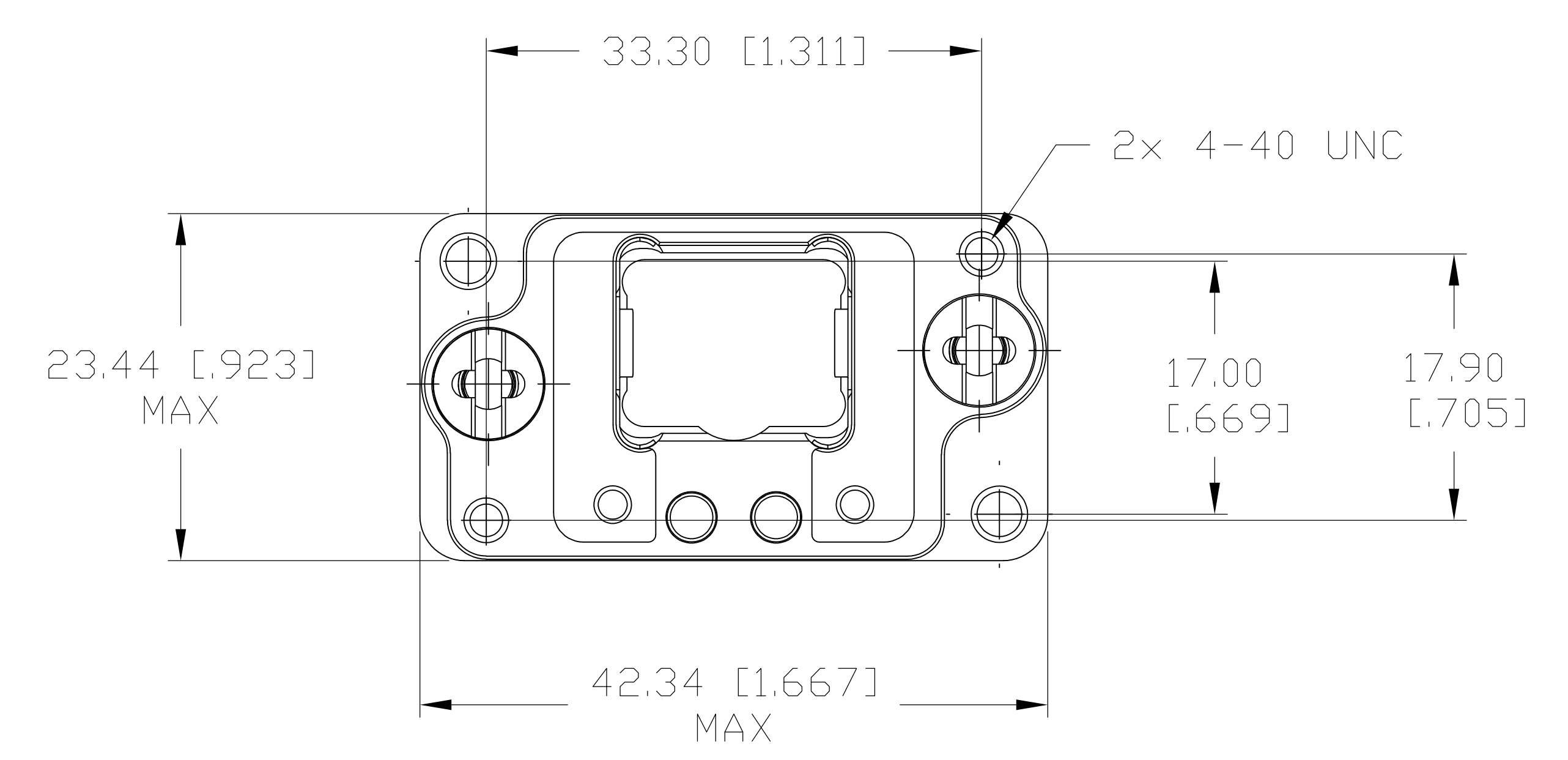
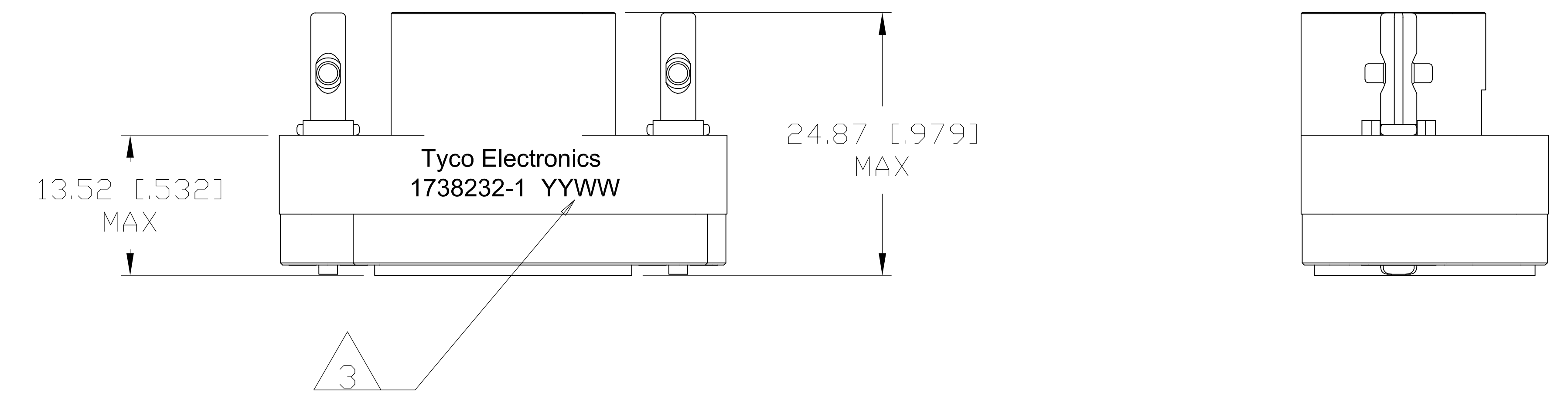
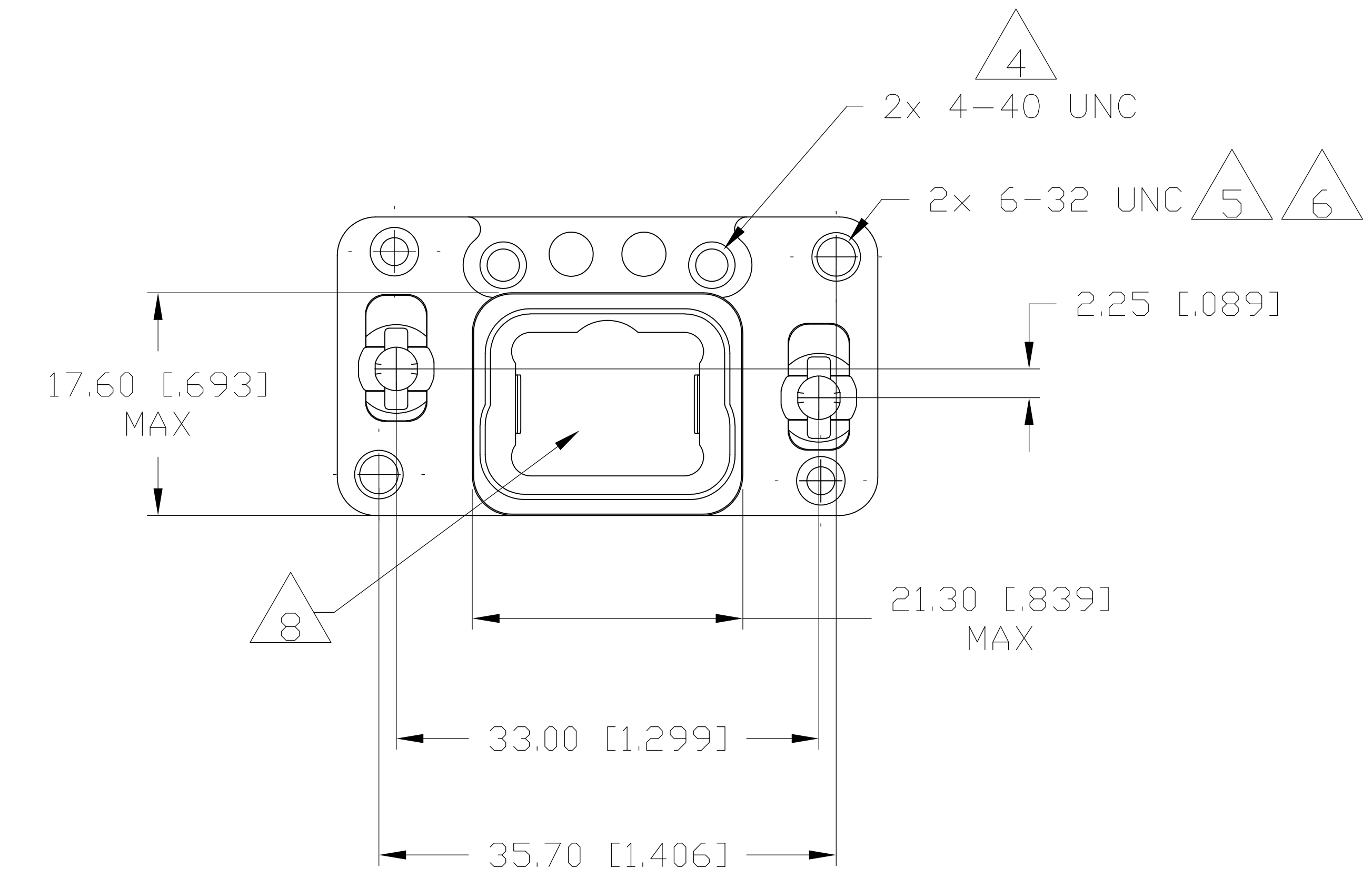
- 8 SHELL CAVITY FOR GPRA SERIES INSERTS WITH KEYING CODE A.

- 9 DATUMS ESTABLISHED BY CUSTOMER.

- 10 BASIC DIMENSIONS ESTABLISHED BY CUSTOMER.

- 11. DESCRIPTIVE PART NUMBER: GPRA1RM04N
 SERIES: GPRA
 SHELL SIZE: 1 (SINGLE-CAVITY SHELL)
 SHELL STYLE: R (RECEPTACLE)
 MODIFICATION CODE: M (TWO 6-32 UNC MOUNTING HOLES)
 LOCKING DEVICE: 0 (QUARTER-TURN FASTENER)
 POLARIZATION CODE: 4 (KIT, WITH POLARIZING HARDWARE UNASSEMBLED)
 SHELL PLATING: N (NICKEL PLATING)

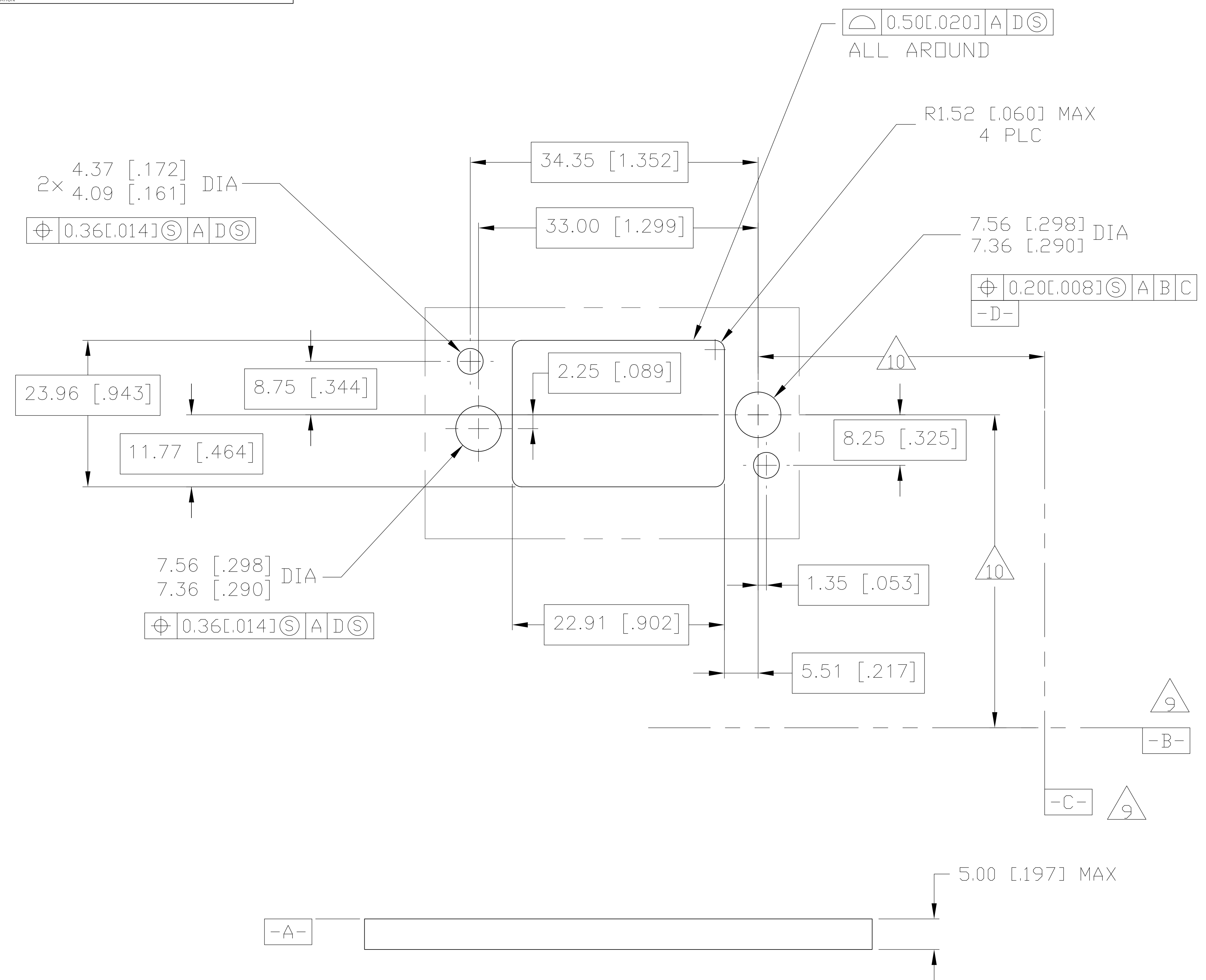
12. THIS PRODUCT IS SOLD BY TYCO ELECTRONICS UNDER A LICENSE FROM RADIAL SA.



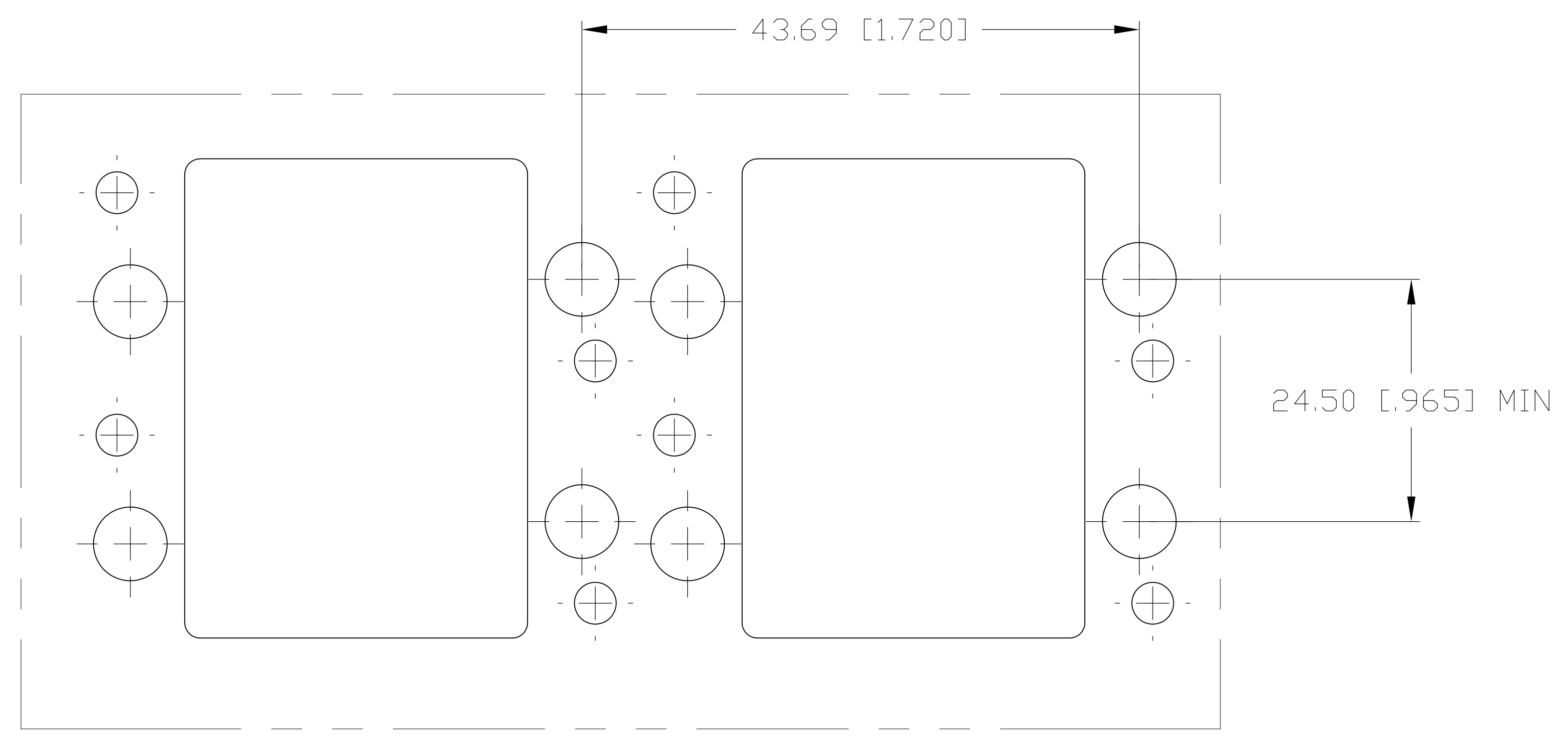
THIS PRINT IS
PRELIMINARY
 UNQUALIFIED PRODUCT
 CONTACT PRODUCT ENGINEERING
 BEFORE USING THIS PRINT

1738232-1
 PART NUMBER

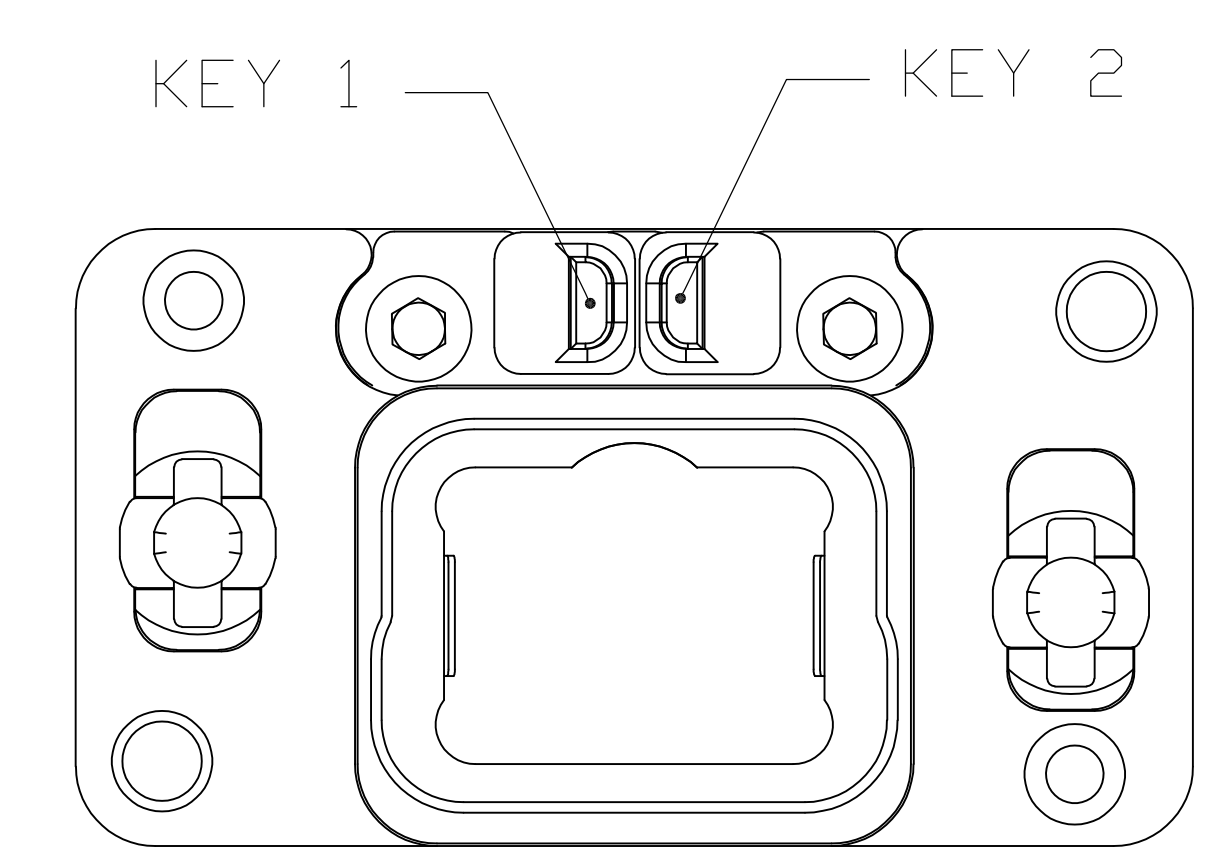
THIS DRAWING IS A CONTROLLED DOCUMENT.		REV: 2	DATE: 07/25/10	APP'D: RF	BY: JM
DIMENSIONS: mm (INCHES)		DESIGNED BY: J. MOSIER	APPROVED BY: J. MOSIER	DATE: 07/25/10	BY: JM
TOLERANCES UNLESS OTHERWISE SPECIFIED:		RECEPTACLE SHELL KIT WITH POLARIZING HARDWARE GPRA			
Ø: 0.13 [0.005]	±: 0.13 [0.005]	CUSTOMER DRAWING			
MATERIAL: ALUMINUM		FINISH: ANODIZED	WEIGHT: --	SCALE: 1:1	SHEET 1 OF 2



RECOMMENDED PANEL CUTOUT - COMPONENT SIDE

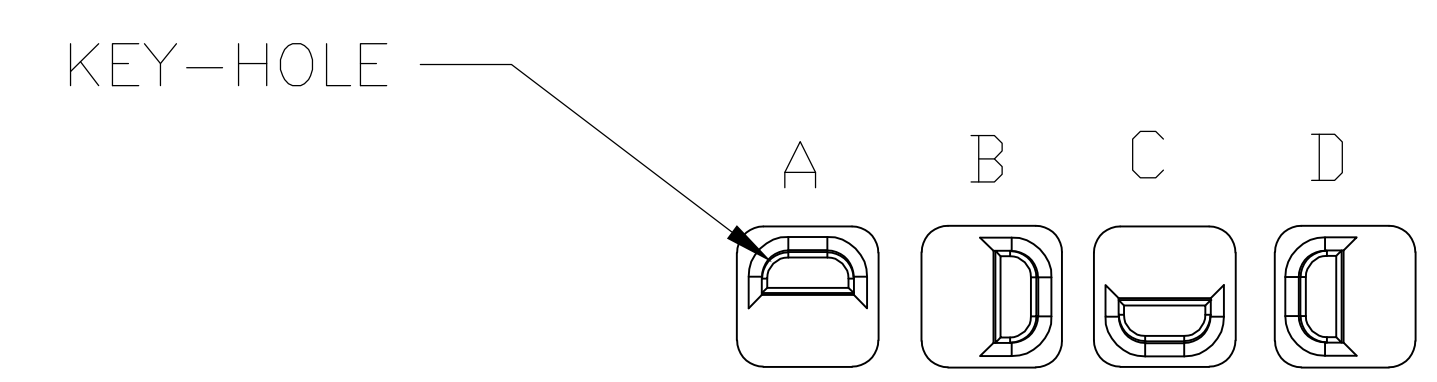


MULTIPLE PANEL CUTOUT



CODE NUMBER 08 SHOWN: B-D
POLARIZATION KEY 1 POLARIZATION KEY 2

RECEPTACLE CONNECTOR POLARIZATION



CODE NUMBER	KEY 1	KEY 2
01	A	A
02	D	A
03	C	A
04	B	A
05	A	D
06	D	D
07	C	D
08	B	D
09	A	C
10	D	C
11	C	C
12	B	C
13	A	B
14	D	B
15	C	B
16	B	B

KEY-HOLE ORIENTATION

THIS PRINT IS
PRELIMINARY
UNQUALIFIED PRODUCT
CONTACT PRODUCT ENGINEERING
BEFORE USING THIS PRINT

1738232-1
PART NUMBER

THIS DRAWING IS A CONTROLLED DOCUMENT.		REV. FLAG	APPROX.	Tyco Electronics Corporation Harrisburg, Pa 17105-3608	
DIMENSIONS: mm (INCHES)		DR. MOSIER	APPROX.	RECEPTACLE SHELL KIT, WITH POLARIZING HARDWARE, GPRA	
TOLERANCES UNLESS OTHERWISE SPECIFIED:		APPROX.	APPROX.	SIZE	SCALE
Ø, R, R.C.	± .015 [.005]	PRODUCT SPEC	APPROX.	A0	1:1
Ø, R, R.C.	± .015 [.005]	APPLICATION SPEC	APPROX.	00779	1738232
Ø, R, R.C.	± .015 [.005]	WEIGHT	APPROX.	1	2
Ø, R, R.C.	± .015 [.005]	CUSTOMER DRAWING	APPROX.	1	2