

THIS DRAWING IS UNPUBLISHED. RELEASED FOR PUBLICATION
 © COPYRIGHT BY TYCO ELECTRONICS CORPORATION. ALL INTERNATIONAL RIGHTS RESERVED.

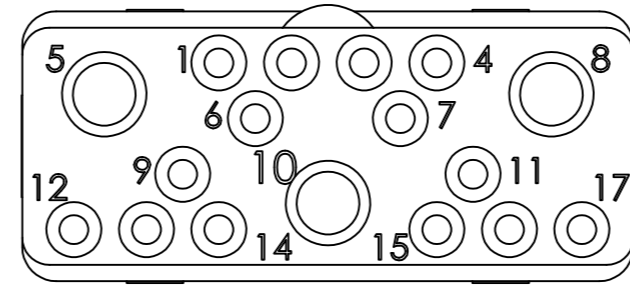
LOC	DIST	REVISIONS				
P	LTR	DESCRIPTION	DATE	DWN	APVD	
DF	00	0	CONVERTED RADIALL DWG TO TYCO ACAD DWG	11/03	—	—
		1	REVISED	22APR10	RF	JM

1 FRONT & REAR INSULATORS: THERMOSET EPOXY PER ASTM D5948
 CONTACT RETENTION CLIPS: COPPER ALLOY PER ASTM B194

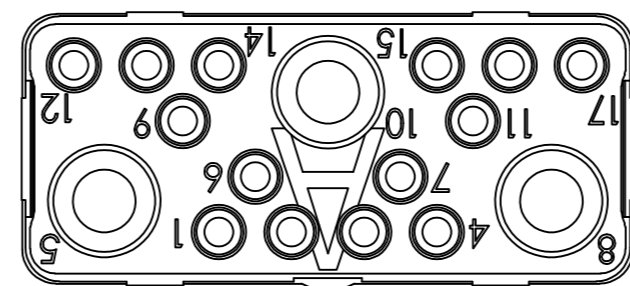
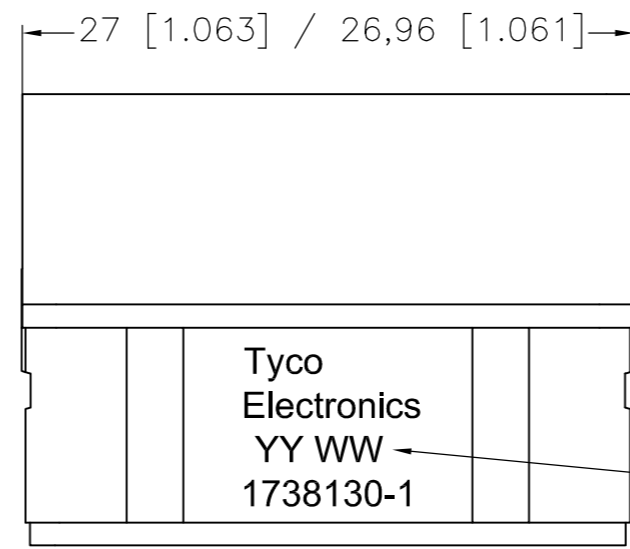
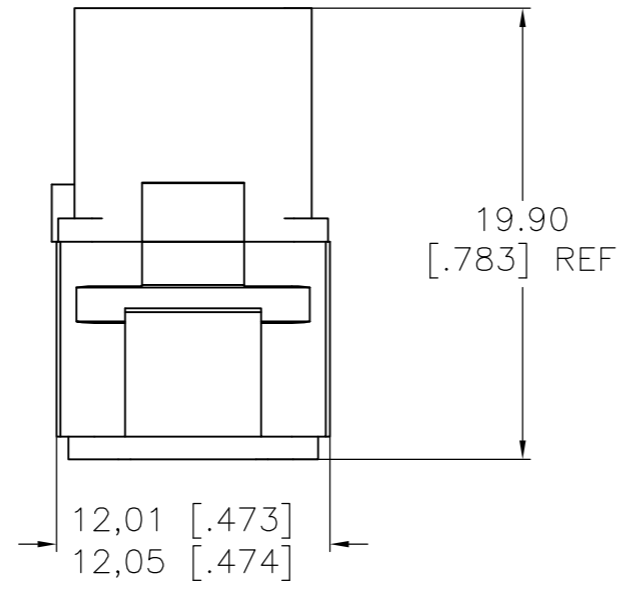
2 DATE CODE: YEAR & WEEK (YY WW)

3. DESCRIPTIVE PART NUMBER: GPRBN17SA
 THIS INSERT CONTAINS:
 14 CAVITIES FOR SIZE 20 SOCKET CONTACTS
 3 CAVITIES FOR SIZE 12 SOCKET CONTACTS

4. THIS PRODUCT IS SOLD BY TYCO ELECTRONICS
 UNDER A LICENSE FROM RADIALL SA.



MATING FACE



THIS PRINT IS
PRELIMINARY
 UNQUALIFIED PRODUCT
 CONTACT PRODUCT ENGINEERING
 BEFORE USING THIS PRINT

1738130-1
 PART NUMBER

THIS DRAWING IS A CONTROLLED DOCUMENT.		DWN	NOV03	Tyco Electronics Corporation Harrisburg, PA 17105-3608			
DIMENSIONS:		CHK	NOV03				
mm [INCHES]		APVD	NOV03				
TOLERANCES UNLESS OTHERWISE SPECIFIED:		PRODUCT SPEC					
0 PLC	± -	APPLICATION SPEC		NAME GPR-B SOCKET INSERT CLASS N CONTACT ARRANGEMENT 17 KEY A			
1 PLC	± -	WEIGHT					
2 PLC	± 0.05 [.002]	CUSTOMER DRAWING		SIZE	CAGE CODE	DRAWING NO	RESTRICTED TO
3 PLC	± -			A2	00779	C=1738130	—
4 PLC	± -			SCALE	SHEET	REV	
ANGLES	± -			1:1	1 of 1	1	
MATERIAL	FINISH						
-	-						