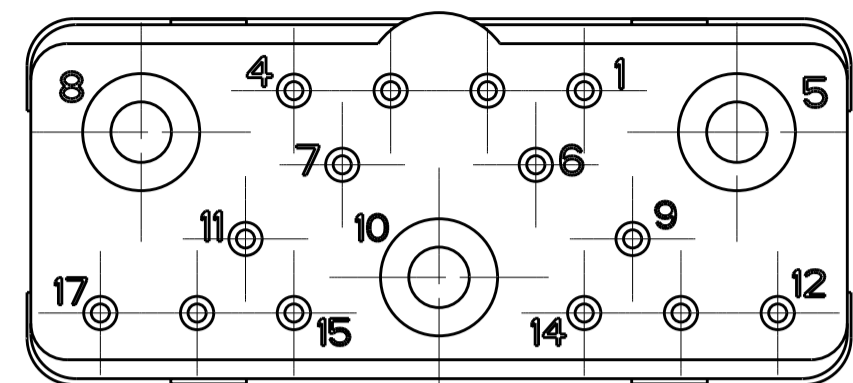
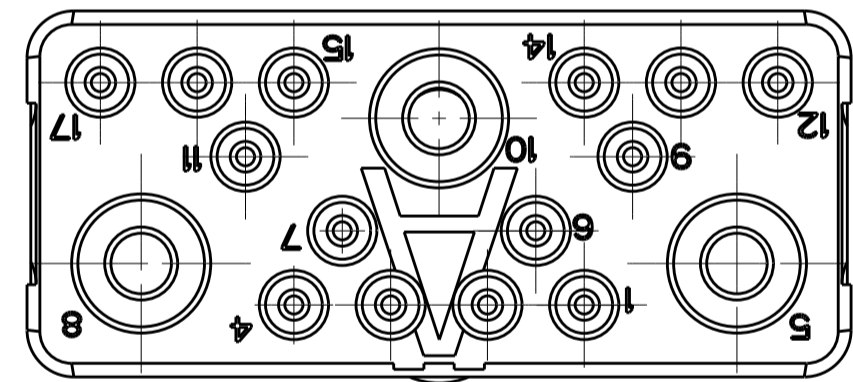
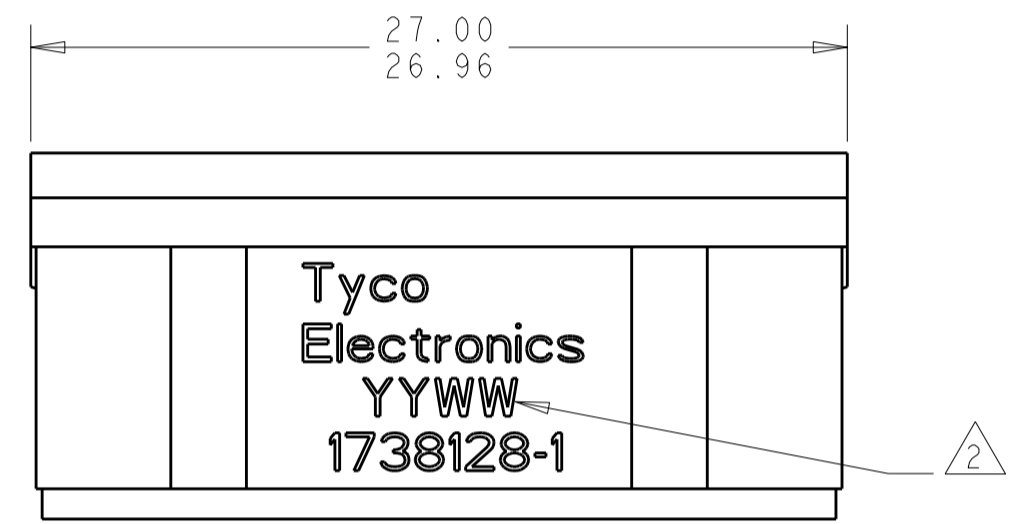
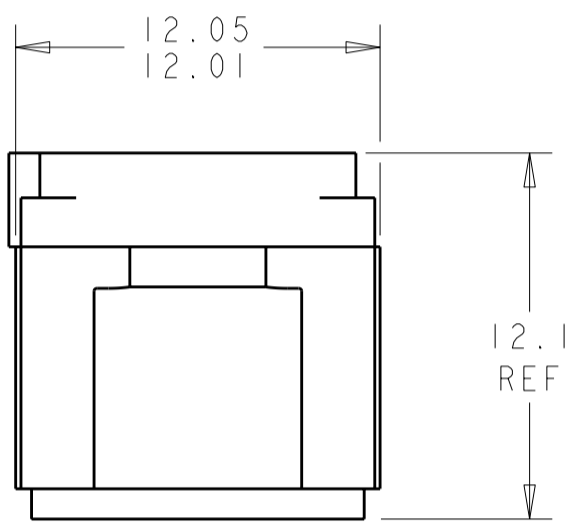


THIS DRAWING IS UNPUBLISHED. RELEASED FOR PUBLICATION 20
 © COPYRIGHT 20 BY TYCO ELECTRONICS CORPORATION. ALL RIGHTS RESERVED.

LOC	DIST	REVISIONS					
DF	A5	P	LTR	DESCRIPTION	DATE	DWN	APVD
		1		REDRAWN IN PRO/E	27APR2010	RF	JM



MATING FACE



THIS PRINT IS
PRELIMINARY
 UNQUALIFIED PRODUCT
 CONTACT PRODUCT ENGINEERING
 BEFORE USING THIS PRINT

1738128-1
 PART NUMBER

1 FRONT & REAR INSULATOR: HIGH-TEMP THERMOPLASTIC OR THERMOSET EPOXY PER ASTM D5948.
 CONTACT RETENTION CLIPS: STAINLESS STEEL PER AISI 302 OR COPPER ALLOY PER ASTM B194

2 DATE CODE: YEAR & WEEK (YY WW)

3. DESCRIPTIVE PART NUMBER GPRBN17PA
 THIS INSERT CONTAINS: 14 CAVITIES FOR SIZE 20 PIN CONTACTS
 3 CAVITIES FOR SIZE 12 PIN CONTACTS

4. THIS PRODUCT IS SOLD BY TYCO ELECTRONICS UNDER A LICENSE FROM RADIAL SA.

<small>THIS DRAWING IS A CONTROLLED DOCUMENT FOR TYCO ELECTRONICS CORPORATION IT IS SUBJECT TO CHANGE AND THE CONTROLLING ENGINEERING ORGANIZATION SHOULD BE CONTACTED FOR THE LATEST REVISION.</small>		DWN	BH	27APR10	Tyco Electronics Harrisburg, PA 17105-3608	NAME		INSERT ASSEMBLY, PIN, NON-ENVIRONMENTAL ARRANGEMENT 17, KEY A, GPRB				
DIMENSIONS:		CHK	JPM	27APR10		PRODUCT SPEC		SIZE	CAGE CODE	DRAWING NO		
mm		APVD	JPM	27APR10		APPLICATION SPEC		A2	00779	C-1738128		
TOLERANCES UNLESS OTHERWISE SPECIFIED: 0 PLC ±- 1 PLC ±0.1 2 PLC ±0.05 3 PLC ±- 4 PLC ±- ANGLES ±1 FINISH		WEIGHT	-		RESTRICTED TO		-					
MATERIAL		1		-		CUSTOMER DRAWING		SCALE	4:1	SHEET	OF	REV