

THIS DRAWING IS UNPUBLISHED. RELEASED FOR PUBLICATION
 © COPYRIGHT BY TYCO ELECTRONICS CORPORATION. ALL INTERNATIONAL RIGHTS RESERVED.

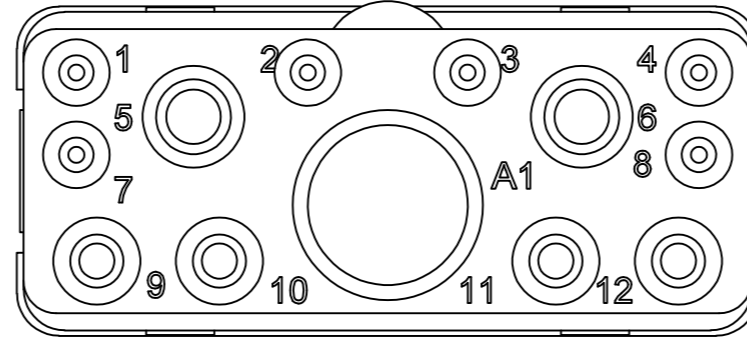
LOC	DIST	REVISIONS				
P	LTR	DESCRIPTION	DATE	DWN	APVD	
DF	00	0	CONVERTED RADIALL DWG TO TYCO ACAD DWG	11/03	—	—
		1	REVISED	22APR10	RF	JM

1 FRONT & REAR INSULATORS: THERMOSET PER ASTM D5948
 CONTACT RETENTION CLIPS: COPPER ALLOY PER ASTM B 194
 REAR GROMMET: FLUOROSILICONE ELASTOMER PER MIL-R-25988B, EXCEPT 4.6.6.1

2 DATE CODE: YEAR & WEEK (YY WW)

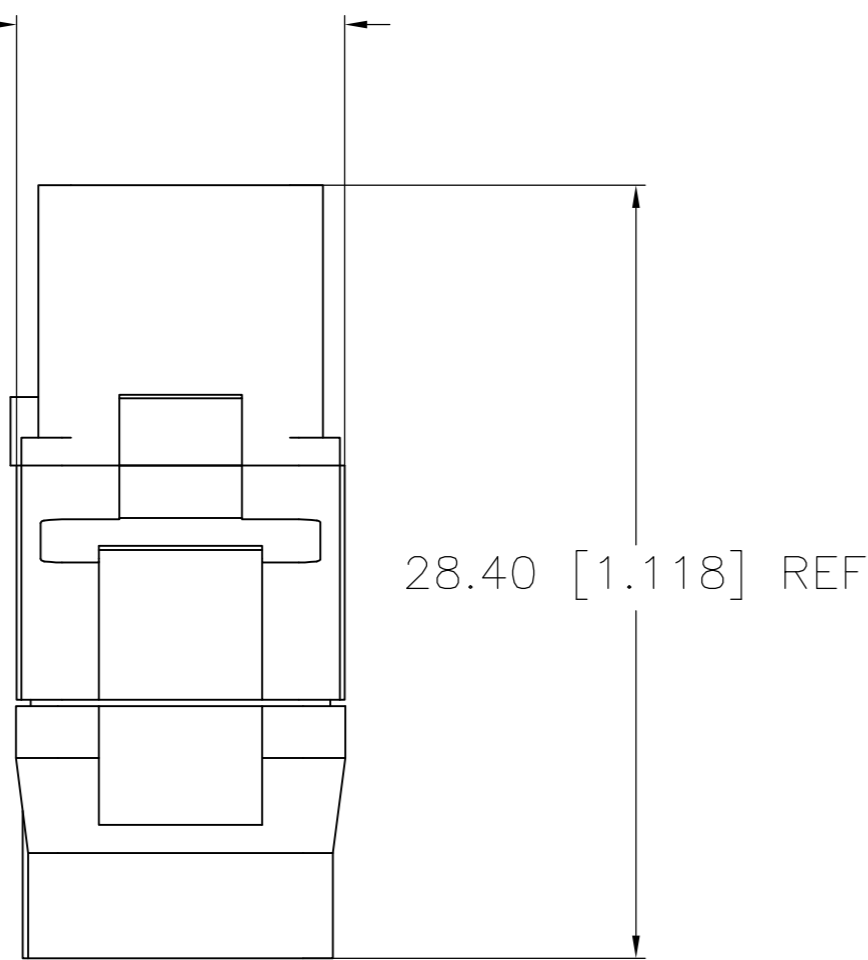
3. DESCRIPTIVE PART NUMBER: GPRBE13C1SA
 THIS INSERT CONTAINS:
 2 CAVITIES FOR SIZE 12 SOCKET CONTACTS
 4 CAVITIES FOR SIZE 16 SOCKET CONTACTS
 6 CAVITIES FOR SIZE 20 SOCKET CONTACTS
 1 CAVITY FOR SIZE 5 SOCKET CONTACT

4. THIS PRODUCT IS SOLD BY TYCO ELECTRONICS
 UNDER A LICENSE FROM RADIALL SA.

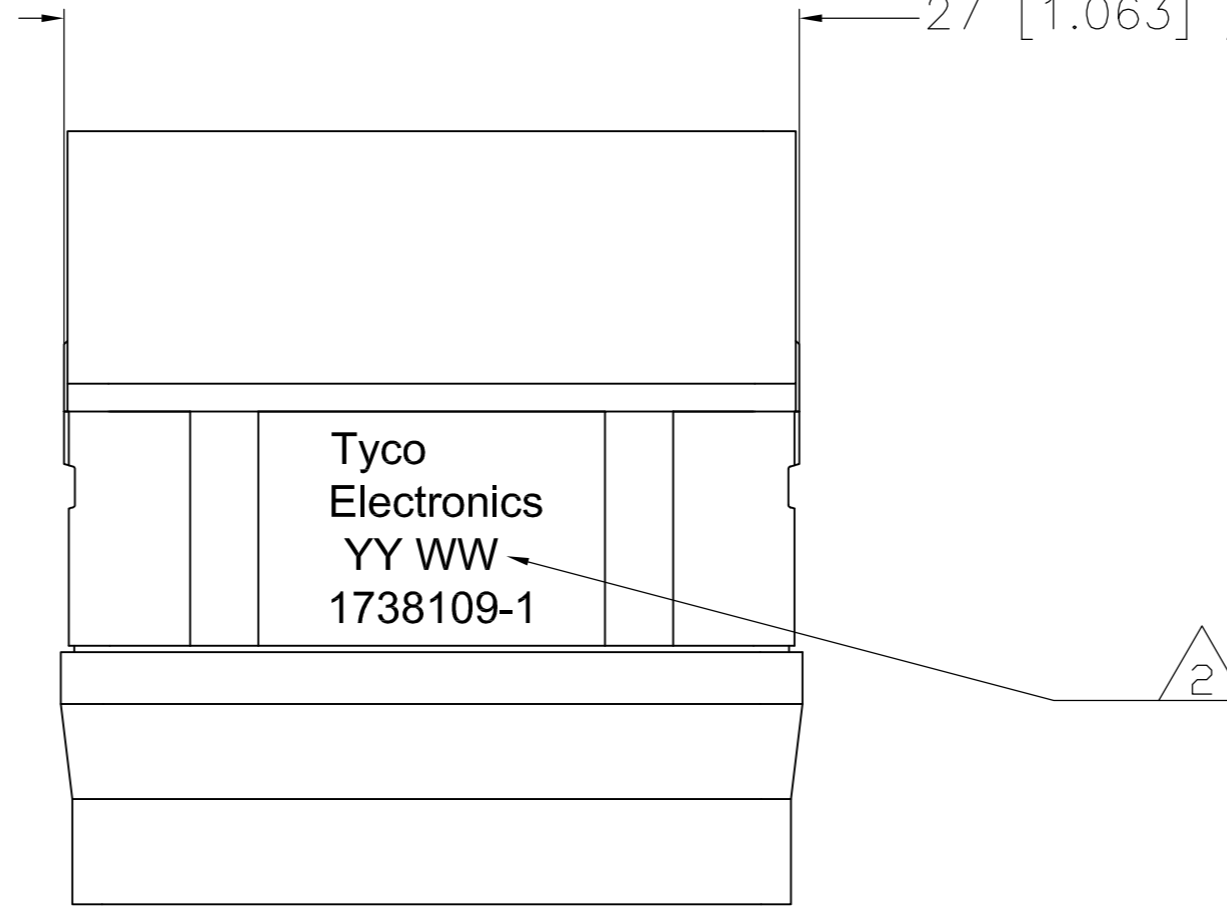


MATING FACE

12.05 [.474] / 12.01 [.473]



27 [1.063] / 26.96 [1.061]

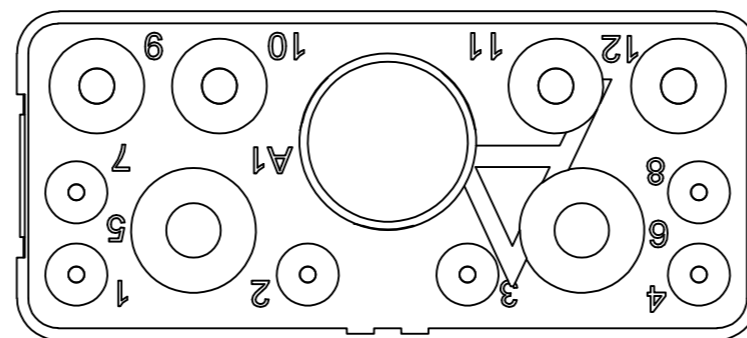


Tyco
 Electronics
 YY WW
 1738109-1

2

THIS PRINT IS
PRELIMINARY
 UNQUALIFIED PRODUCT
 CONTACT PRODUCT ENGINEERING
 BEFORE USING THIS PRINT

1738109-1
 PART NUMBER



THIS DRAWING IS A CONTROLLED DOCUMENT.		DWN	R FLAIG	NOV03	Tyco Electronics Corporation Harrisburg, PA 17105-3608
DIMENSIONS:		CHK	J MOSIER	NOV03	
mm [INCHES]		APVD	J MOSIER	NOV03	
TOLERANCES UNLESS OTHERWISE SPECIFIED:		PRODUCT SPEC	NAME		
0 PLC ± -		APPLICATION SPEC	GPR-B SOCKET INSERT		
1 PLC ± -		WEIGHT	CLASS E		
2 PLC ± 0.05 [.002]		CUSTOMER DRAWING	CONTACT ARRANGEMENT 13C1 KEY A		
3 PLC ± -		SCALE	1:1	SHEET	
4 PLC ± -		SCALE	1:1	1 OF 1	
ANGLES ± -		REV	1	REV	
FINISH		SIZE			
1 -		A2			
		CAGE CODE			
		00779			
		DRAWING NO			
		C=1738109			
		RESTRICTED TO			
		-			