

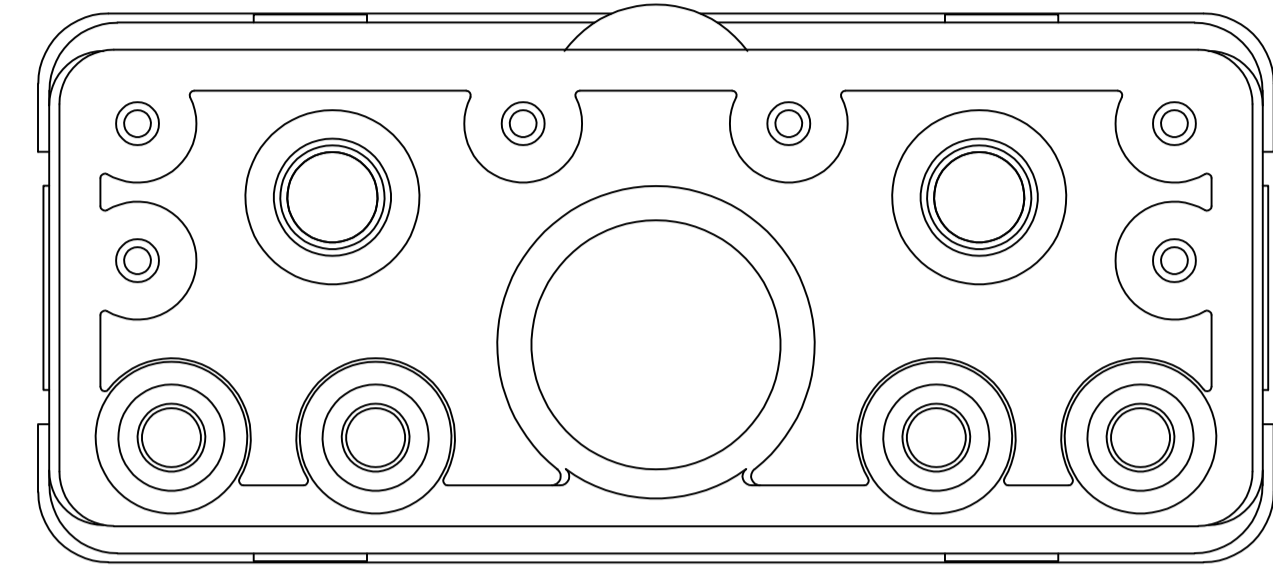
LOC	DIST	REVISIONS				
DF	00	REV	DESCRIPTION	DATE	BY	APPV
		0	CONVERTED RADIALL DWG TO TYCO ACAD DWG	11/03	—	—
		1	REVISED	22APR10	RF	JM

- 1 FRONT & REAR INSULATORS: THERMOSET EPOXY PER ASTM D5948
 CONTACT RETENTION CLIPS: COPPER ALLOY PER ASTM B194
 REAR GROMMET & INTERFACIAL SEAL: FLUOROSILICONE ELASTOMER PER MIL-R-25988 B, EXCEPT 4.6.6.1

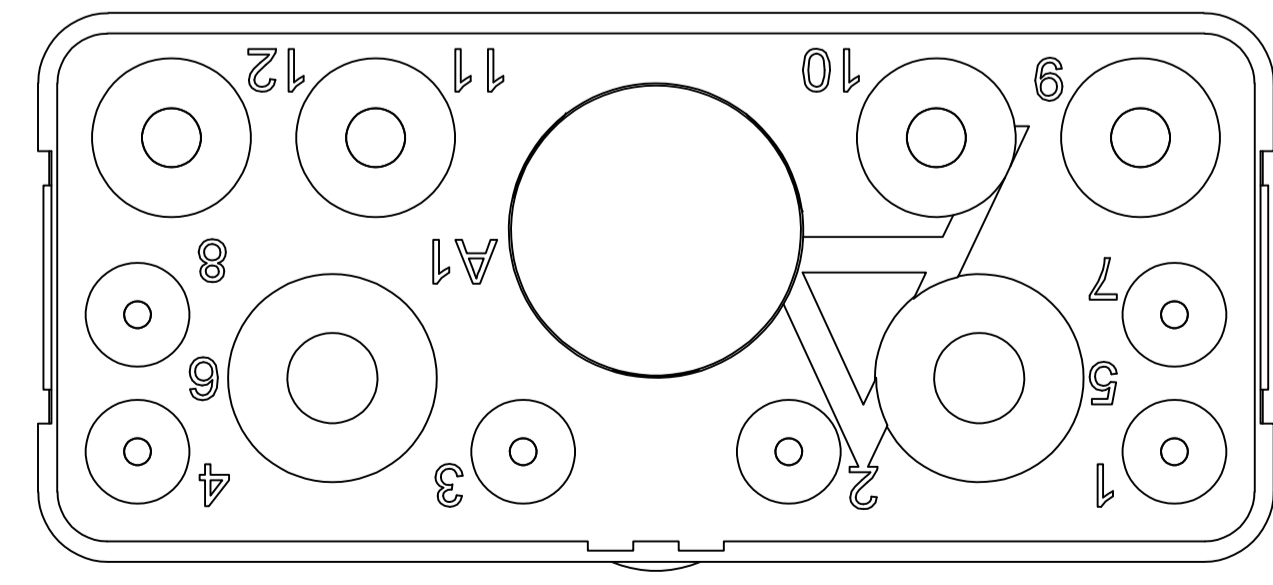
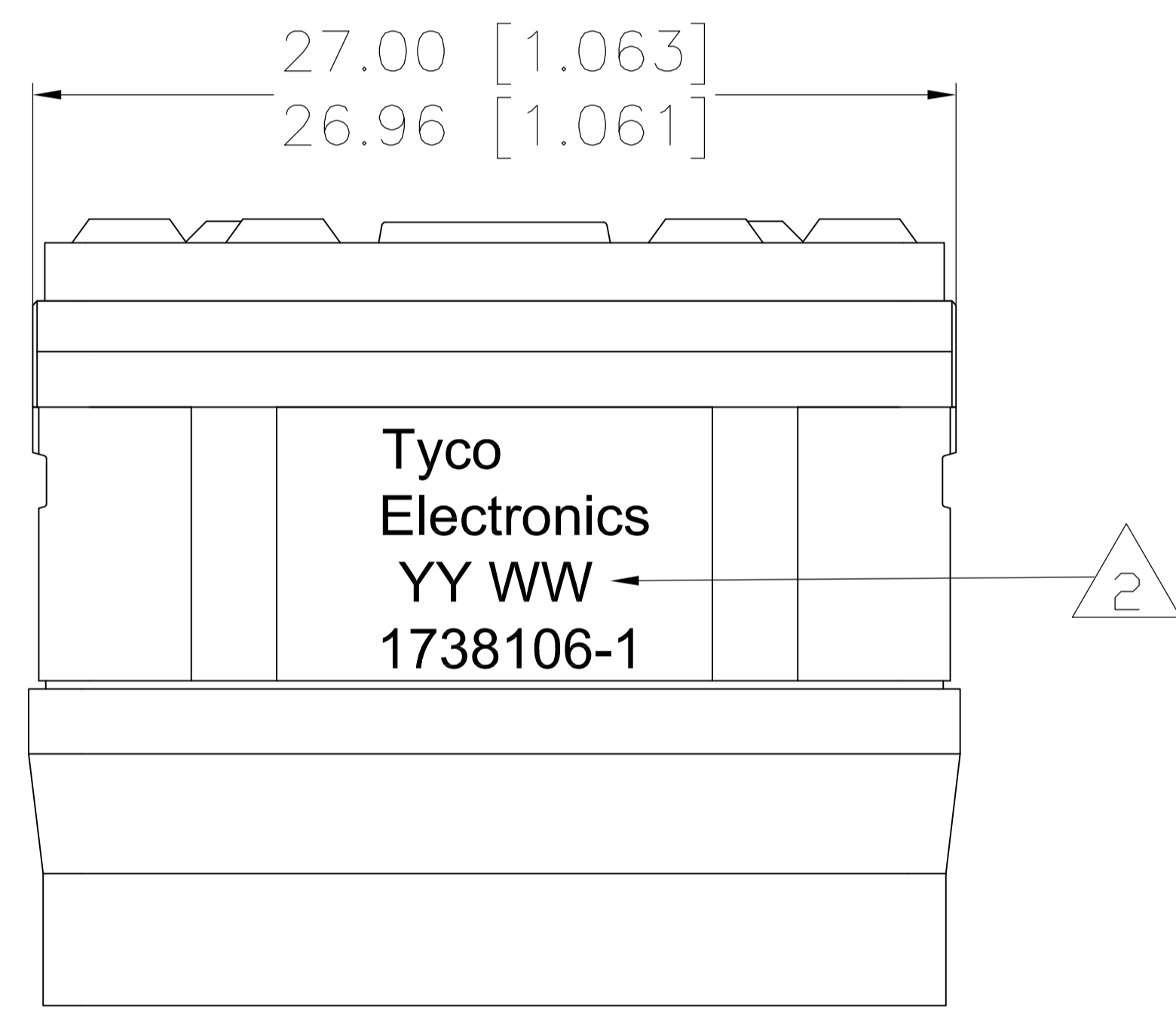
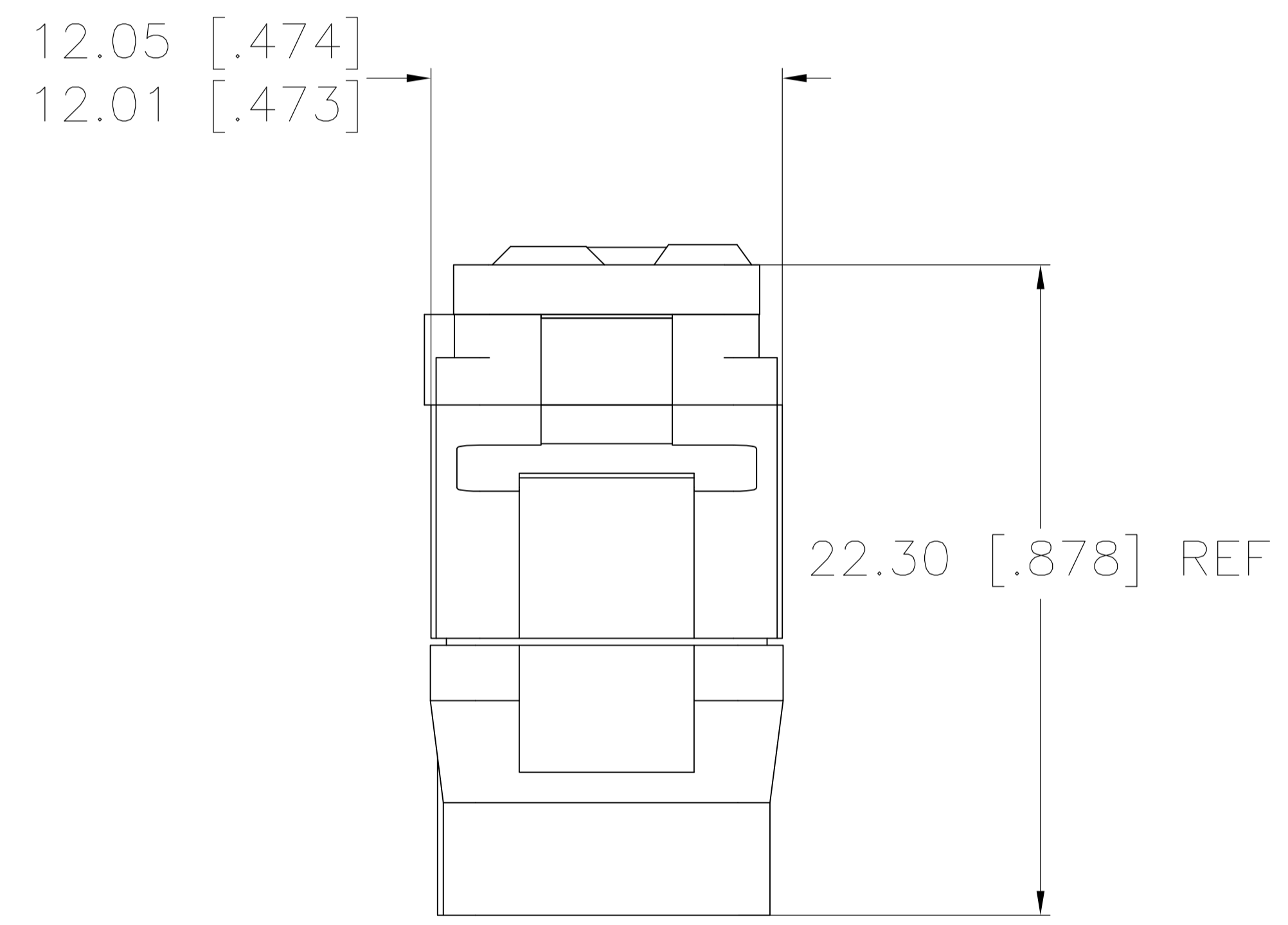
2 DATE CODE: YEAR & WEEK (YY WW)

3. DESCRIPTIVE PART NUMBER: GPRBE13C1PA
 THIS INSERT CONTAINS:
 2 CAVITIES FOR SIZE 12 PIN CONTACTS
 4 CAVITIES FOR SIZE 16 PIN CONTACTS
 6 CAVITIES FOR SIZE 20 PIN CONTACTS
 1 CAVITY FOR SIZE 5 PIN CONTACTS

4. THIS PRODUCT IS SOLD BY TYCO ELECTRONICS
 UNDER A LICENSE FROM RADIALL SA.



MATING FACE



THIS PRINT IS
PRELIMINARY
 UNQUALIFIED PRODUCT
 CONTACT PRODUCT ENGINEERING
 BEFORE USING THIS PRINT

1738106-1
 PART NUMBER

THIS DRAWING IS A CONTROLLED DOCUMENT.		DIN R FLAG NOV03	Tyco Electronics Corporation Harrisburg, PA 17105-3608	
DIMENSIONS: mm [INCHES]		CHK J MOSIER NOV03	APVD J MOSIER NOV03	
TOLERANCES UNLESS OTHERWISE SPECIFIED:		NAME GBR-B PIN INSERT		
0 PLC ± -		PRODUCT SPEC CLASS E		
1 PLC ± -		APPLICATION SPEC CONTACT ARRANGEMENT 13C1 KEY A		
2 PLC ± 0.05 [.002]		SIZE CAGE CODE DRAWING NO RESTRICTED TO		
3 PLC ± -		A1 00779 C=1738106		
4 PLC ± -		WEIGHT		
ANGLES ± -		CUSTOMER DRAWING SCALE 2:1 SHEET 1 OF 1 REV 1		
FINISH -				