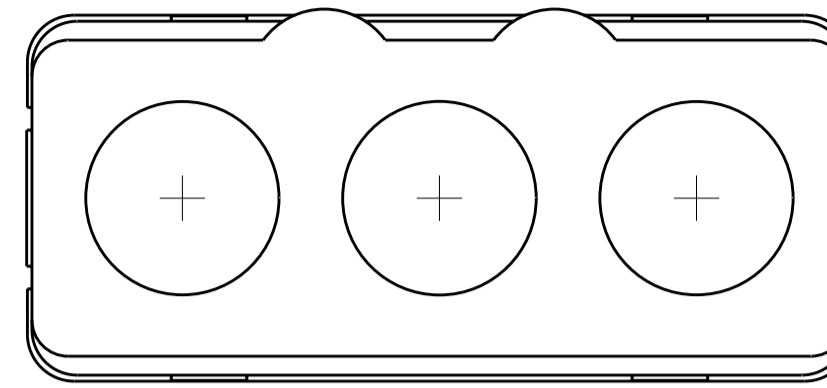
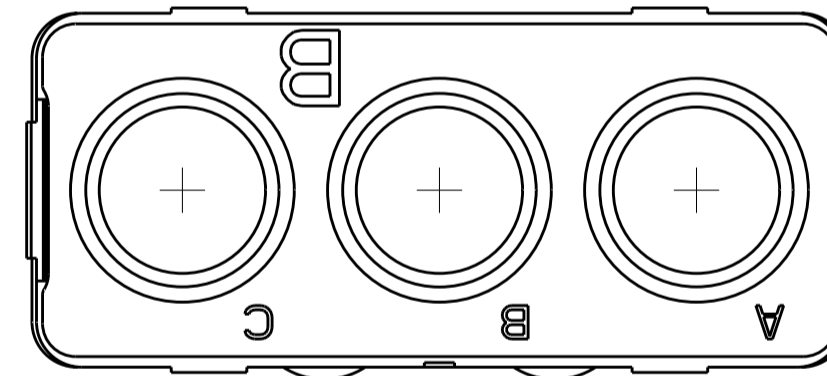
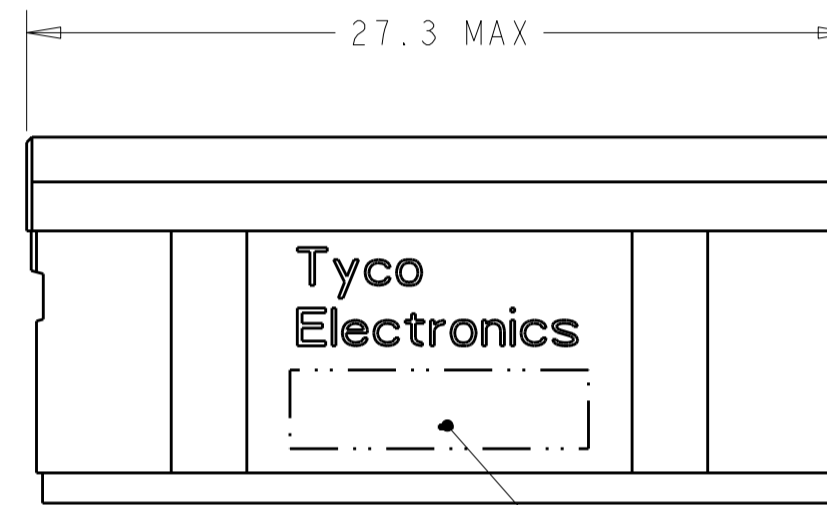
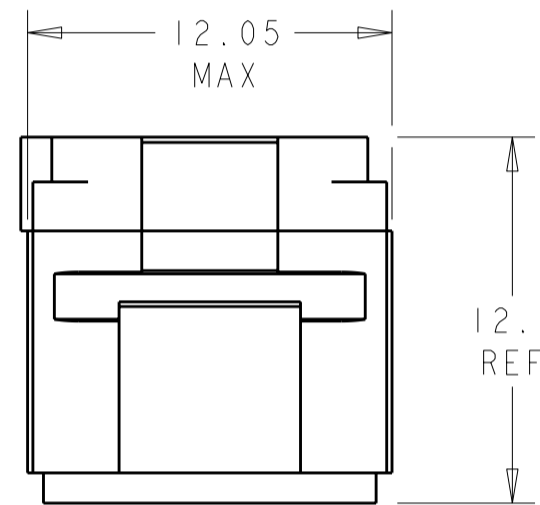


THIS DRAWING IS UNPUBLISHED. RELEASED FOR PUBLICATION
 © COPYRIGHT BY ALL RIGHTS RESERVED.

LOC		DIST		REVISIONS			
P	LTR	DESCRIPTION	DATE	DWN	APVD		
	B	REV PER ECO 11-024114	12-2-11	CT	MS		



MATING FACE



1 FRONT & REAR INSULATOR: HIGH-TEMP THERMOPLASTIC OR THERMOSET EPOXY PER ASTM D5948.
 CONTACT RETENTION CLIPS: STAINLESS STEEL PER AISI 302 OR COPPER ALLOY PER ASTM B194

2 TE PART NO. AND DATE CODE: YEAR & WEEK (YY WW)

3. DESCRIPTIVE PART NUMBER GPRBNC3PB
 THIS INSERT CONTAINS: 3 CAVITIES FOR SIZE 5 PIN COAX CONTACTS

4. THIS PRODUCT IS SOLD BY TYCO ELECTRONICS UNDER A LICENSE FROM RADIAL SA.

1738093-1
 PART NUMBER

THIS DRAWING IS A CONTROLLED DOCUMENT.		DWN	BH	06MAY10	 TE Connectivity	NAME		INSERT ASSEMBLY, PIN, NON-ENVIRONMENTAL ARRANGEMENT C3, KEY B, GPRB				
DIMENSIONS:		CHK	JPM	06MAY10		SIZE		CAGE CODE	DRAWING NO	RESTRICTED TO		
mm	TOLERANCES UNLESS OTHERWISE SPECIFIED:	APVD	JPM	06MAY10		A2		00779	C-1738093	-		
0 PLC ±- 1 PLC ±0.1 2 PLC ±0.05 3 PLC ±- 4 PLC ±- ANGLES ±- FINISH ±1	 MATERIAL	PRODUCT SPEC	WEIGHT			CUSTOMER DRAWING		SCALE	4:1	SHEET	OF	REV